



# PVD

## Aluminum Davit



EN795:2012 Typ B  
CEN/TS 16415:2013



**5** Jib Roller  
PVD000-005-000

**3** Jib  
PVD000-003-000

**6** Brace Link  
PVD000-006-000

**7** Brace  
PVD000-007-000

**4** Main Link  
PVD000-004-000

**1** Vertical Pillar  
PVD000-001-000

**2** Floor Bracket  
PVD000-002-000



The PVD aluminum davit provides an anchor point compliant with EN795/B and document TS16415/B. It is designed to protect up to **2 people** at a time. The device is made of reinforced aluminum. The device consists of separate components, the weight of which does not exceed **25 kg**. All modules are connected without tools using pins with pins.

The basic version of the PVD device consists of the following modules:

- 1) PVD000-001-000** – Vertical Pole 1.5m (11,5 kg)
- 2) PVD000-002-000** – Floor Bracket (7,10 kg)
- 3) PVD000-003-000** – Jib (5,4 kg)
- 4) PVD000-004-000** – Main Link (4,0 kg)
- 5) PVD000-005-000** – Jib Roller roll (0,4 kg)
- 6) PVD000-006-000** – Brace Link (2,1 kg)
- 7) PVD000-007-001** – Brace (1,2 kg)

### PARAMETERS

Static strength:	min. 13 kN
Material:	reinforced aluminum
Weight:	31,7 kg

WWW.PROTEKT.UK

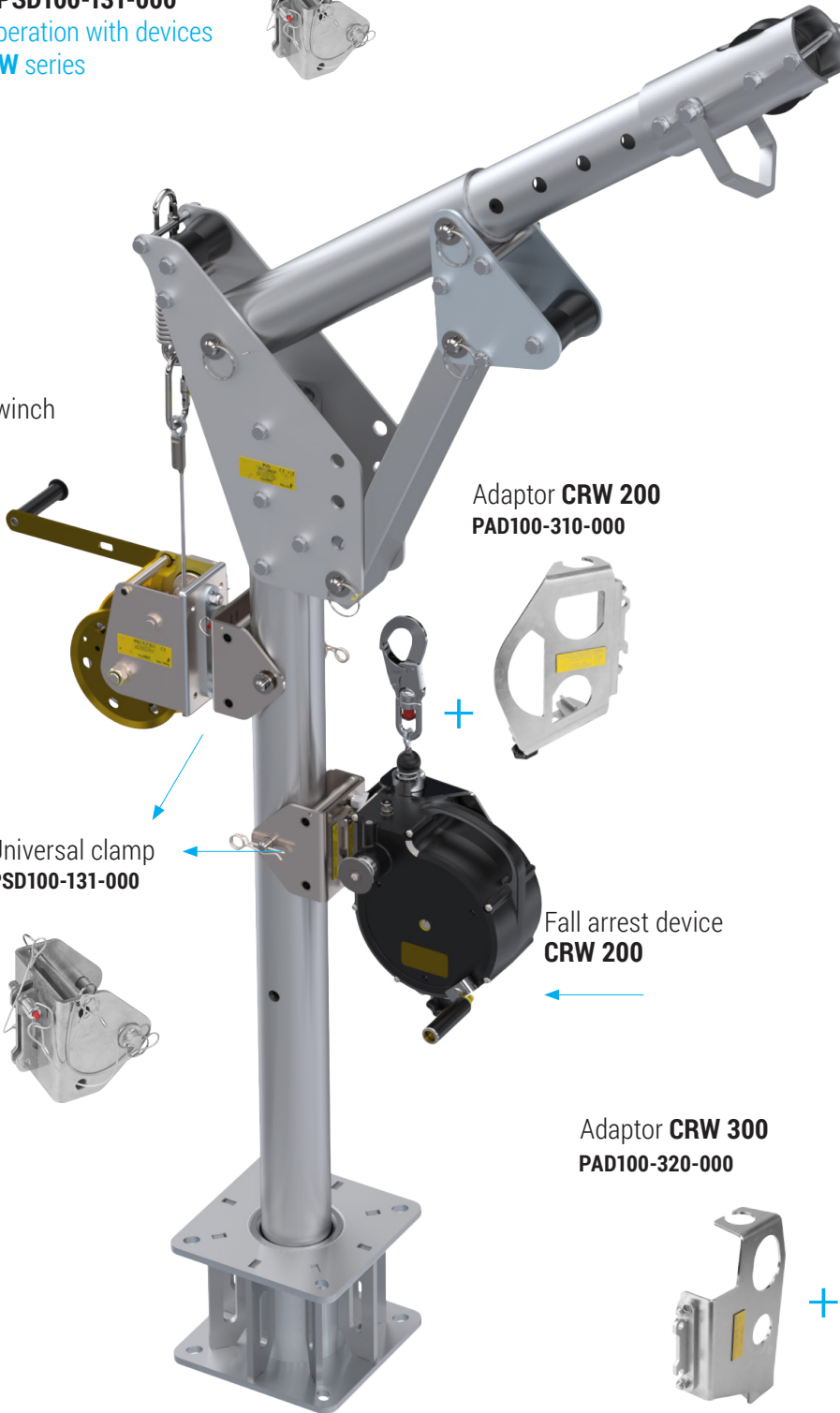


## COOPERATING DEVICES

Universal clamp  
for winches **PSD100-131-000**  
enables cooperation with devices  
**RUP** and **CRW** series



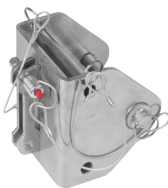
Evacuation winch  
**RUP 502-U**



Adaptor **CRW 200**  
**PAD100-310-000**



Universal clamp  
**PSD100-131-000**



Fall arrest device  
**CRW 200**



Adaptor **CRW 300**  
**PAD100-320-000**



Cable single-phase  
230V electric winch  
**RUP 504**



Cable battery powered winch  
**RUP 506**



Kbestanu Harken Lokhead  
**RUP505-U**



Fall arrest device  
**CRW 300**



[WWW.PROTEKT.UK](http://WWW.PROTEKT.UK)



## CRW 200 fall arrest device

EN 360 EN 1496/B

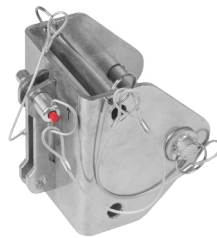
The CRW 200 is a combination of a fall arrest device and a rescue lifting device compliant with EN 360 and EN 1496/B. Its permissible working load is 140 kg. The device has a manual winch with lifting and lowering functions. To install on a stand, the appropriate PAD 100-310 mounting bracket must be attached. The carabiner has a fall indicator and the design does not require a shock absorber. With the ratio used in the mechanism, it is possible to make one turn of the drum per 8.8 turns of the winch's crank.



CRW200 15 m



Adapter  
PAD100-310



Universal clamp  
PSD100-131-000

### PARAMETERS

Length of rope / weight:	15 m / 11 kg
Diameter of the rope:	4,8 mm
Type of rope:	7x19 + IWRC
Mechanism ratio:	1 : 8,8
WLL:	140 kg



## CRW 300 fall arrest device

EN 360 EN 1496/B

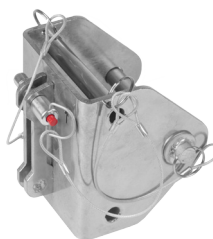
The CRW 300 is a combination of a fall arrest device and a rescue lifting device compliant with EN 360 and EN 1496/B. Its permissible working load is 140 kg. The device has a manual winch with lifting and lowering functions. To install on a stand, the appropriate PAD 100-320 mounting bracket must be attached. The carabiner has a fall indicator and the design does not require a shock absorber. With the ratio used in the mechanism, it is possible to make one turn of the drum per 7,4 turns of the winch's crank.



CRW300 25 m



Adapter  
PAD100-320



Universal clamp  
PSD100-131-000

### PARAMETERS

Length of rope / weight:	25 m / 15 kg
Diameter of the rope:	4,8 mm
Type of rope:	7x19 + IWRC
Mechanism ratio:	1 : 7,4
WLL:	140 kg

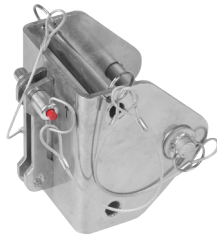
WWW.PROTEKT.UK



## RUP 502-U cable winch

EN 1496/B

RUP 502-U is a winch equipped with a clamp for mounting on tripod leg. The winch is equipped with six-strand steel cable with natural fibre kern of 20 and 25 m in length and 6.3 mm in diameter; RUP 502-U is a component of rescue equipment. The device, can be lifted from a lower level onto a higher level or vice-versa. The descent distance cannot be more than 2 m. With the ratio used in the mechanism it is possible to make one turn of the drum per 5 turns of the winch's crank. The crank arm is available in 2 lengths which, depending of the variant chosen, enable torque adjustment. The RUP 502-U rescue device.



Universal clamp  
PSD100-131-000

RUP502-U 20 m  
RUP502-U 25 m

### PARAMETERS

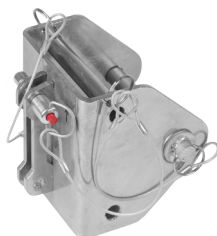
Length of rope / weight:	20 m / 13 kg 25 m / 14 kg
Diameter of the rope:	6,3 mm
Type of rope:	6x19 + NFC
Mechanism ratio:	1 : 5
Permissible work load:	140 kg



## RUP 505-U Kbestanu Harken Lokhead

EN 1496/B

Kbestanu Harken Lokhead, which performs the function of pulling in and lowering with a polyamide rope. The device makes it possible to work with the universal handle PSD100-131-000. The kabestan is equipped with an automatic brake and a mechanism for safe lowering of the rope, (rope sold separately) with a diameter of 10 mm according to EN 1891/A (e.g. PROTEKT PA100-10-K-24 rope). The length of the rope is not limited. The rope can be installed on the reel at any point along its length which makes it possible to deliver the end of the rope immediately to the required place and immediately undertake, for example, an evacuation action without the need for tedious unwinding of the rope from the drum.



Universal clamp  
PSD100-131-000

RUP505-U

### PARAMETERS

Length of rope	unlimited
Diameter of the rope:	10 mm
Type of rope:	PA100-10-K-24
Mechanism ratio:	1 : 5
Permissible work load:	140 kg

WWW.PROTEKT.UK

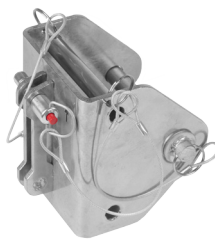


## ➤ RUP 504 cable single-phase 230V electric winch

Electric winch powered by AC 230V 1-phase. The set includes a cable for connection to the electrical grid with EU plug. Working speed: 7 m/min (when using TU 415 / TU 416 pulley - 3.5 m/min). The device is equipped with a connecting plate (RUP 506-000-001). It is used for lifting goods and for evacuation. Permissible working load when lifting goods (WLL): 500 kg. If an additional block TU 415 / TU 416 is used, the working load when lifting goods can be increased to 1000 kg. The device can be used for lifting and lowering people and for evacuation when using an additional self-locking device of the WR / CR / CRW series.



RUP504 30 m



Universal clamp  
PSD100-131-000

### PARAMETERS

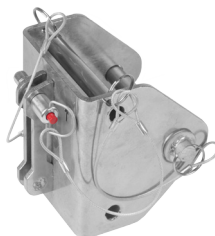
Length of rope / weight:	30 m / 21 kg
Diameter of the rope:	6 mm
Type of rope:	steel
Dimensions:	490 x 170 x 180 mm
WLL:	500 kg – for cargo 200 kg – for the persons

## ➤ RUP 506 cable battery powered winch

The winch has battery power. Two 18V 4.0 Ah batteries are included, along with a charger. Battery operating time at full load ~20...25 minutes. Working speed: 4 m/min (when using TU 415 / TU 416 pulley - 2 m/min). The device is equipped with a connecting plate (RUP 506-000-001). It is used for lifting goods and for evacuation. Permissible working load when lifting goods (WLL): 140 kg. If an additional block TU 415 / TU 416 is used, the working load when lifting goods (WLL) can be increased to 250 kg. The device can be used for lifting and lowering people and for evacuation in case of using an additional self-locking device of WR / CR / CRW series.



RUP506 15 m



Universal clamp  
PSD100-131-000

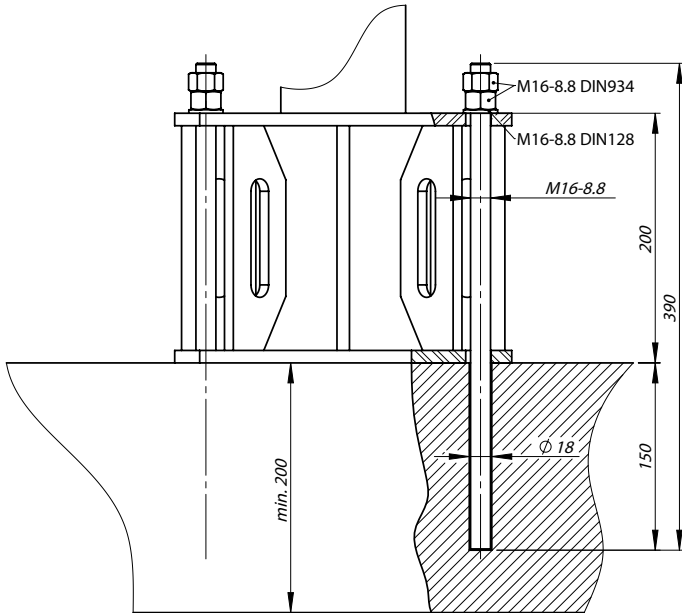
### PARAMETERS

Length of rope / weight:	15 m / 10 kg
Diameter of the rope:	5 mm
Type of rope:	steel
Dimensions:	288 x 122 x 144 mm
WLL:	140 kg – for cargo 140 kg – for the persons

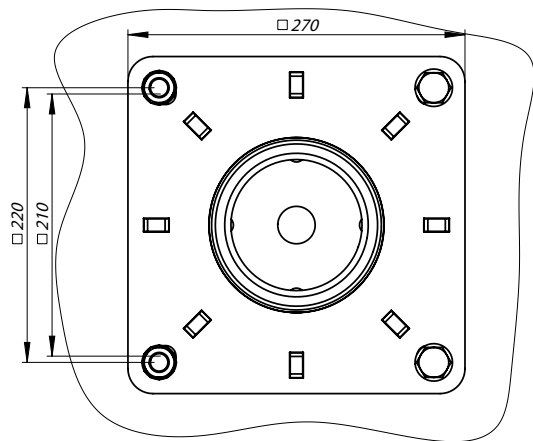
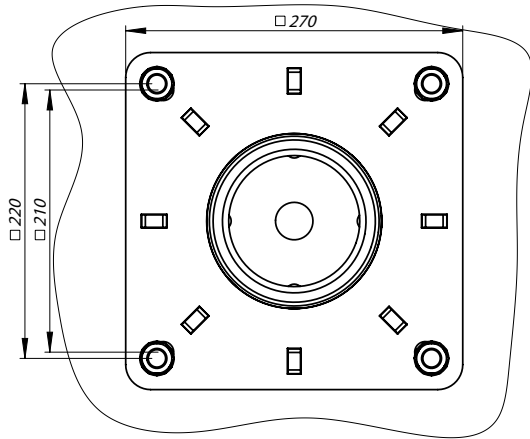
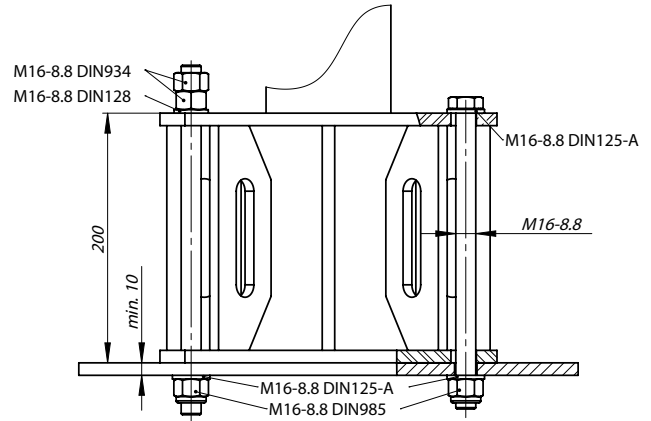
[WWW.PROTEKT.UK](http://WWW.PROTEKT.UK)



CONNECTION TO CONCRETE STRUCTURE



CONNECTION TO THE STEEL STRUCTURE



The connection to the concrete structure should be made with four chemical or mechanical anchors, characterized by a tensile strength of more than 32 kN. The concrete structure should have a compressive strength of not less than 20 MPa.

Recommended mechanical anchors:  
HSA M16..., HST M16..., HSR M16... (Prod. HILTI).  
Recommended chemical anchors:  
HIT-HY-170/HAS M16... (Prod. HILTI).  
Anchor material: carbon steel 8.8.

The connection to the steel structure shall be made with bolts with a minimum strength equivalent to that of M16-8.8 bolts. All parts of the bolt connection shall be made of galvanized steel. Nuts and hexagonal heads of bolts shall be provided with washers suitable for M16 thread. Nuts in bolted connections shall be self-locking or protected against self-unscrewing by counter-nuts.



## DIMENSIONS OF THE DEVICE

