

NEW

PROTEKT®

# AT 187

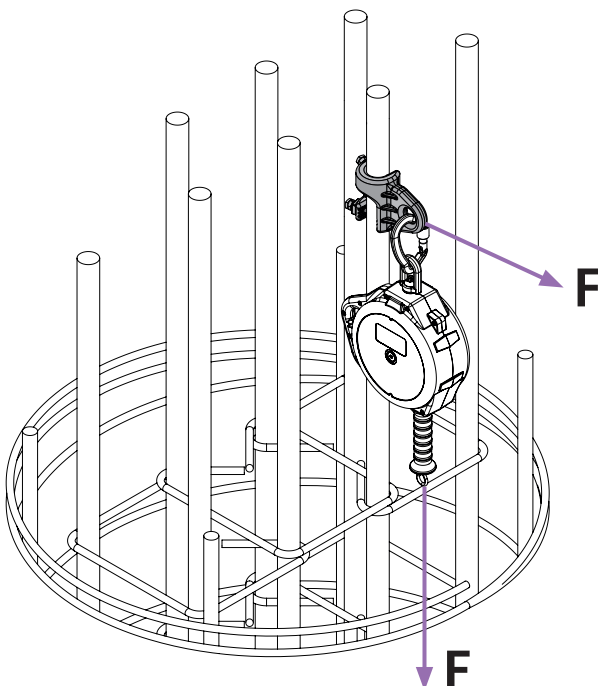
Anchor point for ribbed bars



EN 795/B  
CEN/TS16415



Made of stainless steel  
resistant to harsh  
weather conditions



The AT187 anchor point is designed for installation on ribbed reinforcing bars (rebar) with an outer diameter of **18–32 mm** and a core diameter of **12–20 mm**. The anchor point must **not** be used for lifting loads. The device is made of stainless steel. The minimum breaking strength of this anchor point is **30 kN**, enabling its use in conjunction with the AE320/AE321 webbing anchor line. **The anchor point may be loaded only in the directions indicated in the drawing.**

Material:	stainless steel
Wight:	AT 187 010 - 1669 g AT 187 020 - 1082 g
Static strength:	30 kN

PROTEKT®

OFFICE - Skromna 6, 93-405 Lodz, POLAND / REGISTERED ADDRESS - PROTEKT Grzegorz Łaskiewicz Sp. z o.o.

Starorudzka 9, 93-403 Lodz, POLAND / SALES DEPARTMENT Phone +48 42 29-29-500, export@protekt.com.pl, fax +48 42 680-20-93

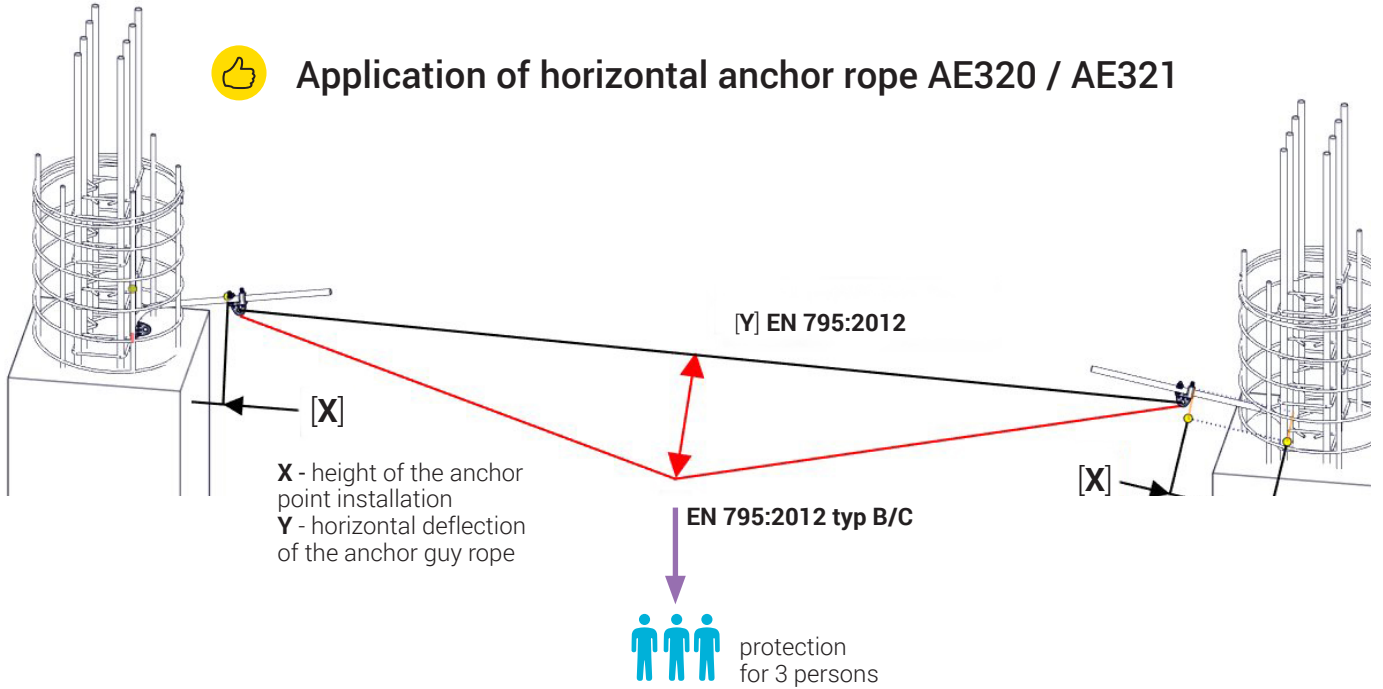
WAREHOUSE - Gombrowicza 6, 93-405 Lodz, POLAND

NEW

# AT 187 Anchor point for ribbed bars



## 👍 Application of horizontal anchor rope AE320 / AE321



**PROTEKT**<sup>®</sup>

OFFICE - Skromna 6, 93-405 Lodz, POLAND / REGISTERED ADDRESS - PROTEKT Grzegorz Łaskiewicz Sp. z o.o.

Starorudzka 9, 93-403 Lodz, POLAND / SALES DEPARTMENT Phone +48 42 29-29-500, export@protekt.com.pl, fax +48 42 680-20-93

WAREHOUSE - Gombrowicza 6, 93-405 Lodz, POLAND