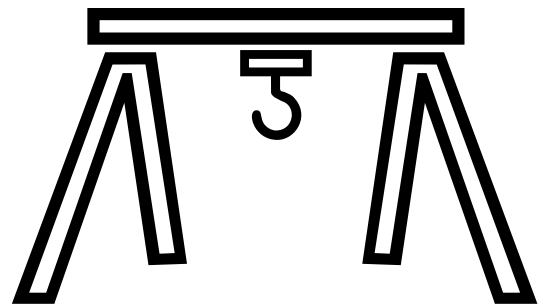


PROTEKT®

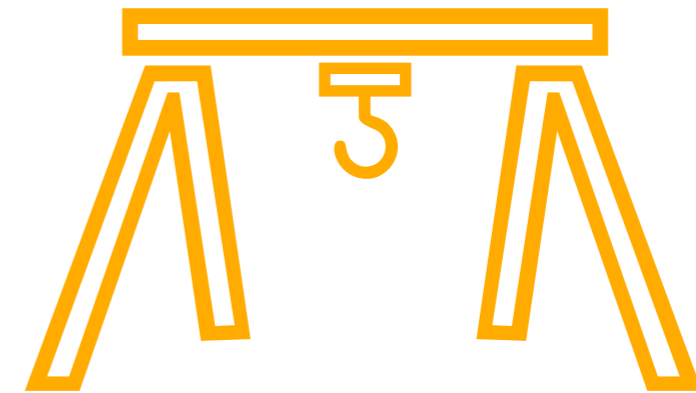
MANUFACTURER OF FALL PROTECTION EQUIPMENT

LIGHTWEIGHT PORTABLE GANTRIES



Standard gantries
Compact cranes
Aluminum crossbeams
Slings and lifting products

2025



LIGHTWEIGHT PORTABLE GANTRIES

STANDARD GANTRIES

11 ASB
39 LSB
61 HSB

COMPACT CRANES

77 KSB
82 KSB-LE
86 FSB

ALUMINUM CROSSBEAMS

108 ALUQUAD
112 TRE
114 TRA
116 TRB
118 TRC
120 TRD
122 TRO
124 TRM

SLINGS AND LIFTING PRODUCTS

128 WS - Duplex webbing slings
132 ES - Round tubular slings
136 SW - Single layer webbing slings
140 EW - Flat endless webbing slings
142 MS - Stage rigging slings with a steel core
144 Single use slings
146 Flame retard slings
148 CS - Protecting sleeves
150 Universal protective sleeves
152 Polyester cargo lifting slings
154 Cargo lashing and tensioners
156 TRZ - Pipe plate clamp
160 Manual chain hoists

SERVICE:

Tomasz Canert
Tel.: +48 42 29 29 518
Fax: +48 42 680 20 93
tomekcanert@protekt.com.pl

TECHNICAL DEPARTMENT

Jakub Lisowski
Tel. +48 42 29 29 531
kubal@protekt.com.pl

Mirosław Morawski
Tel.: +48 42 29 29 532
Mobile: 607 055 044
miroslaw@protekt.com.pl

Janusz Paczesny
Tel.: +48 42 29 29 533
Mobile: 603 399 655
januszp@protekt.com.pl



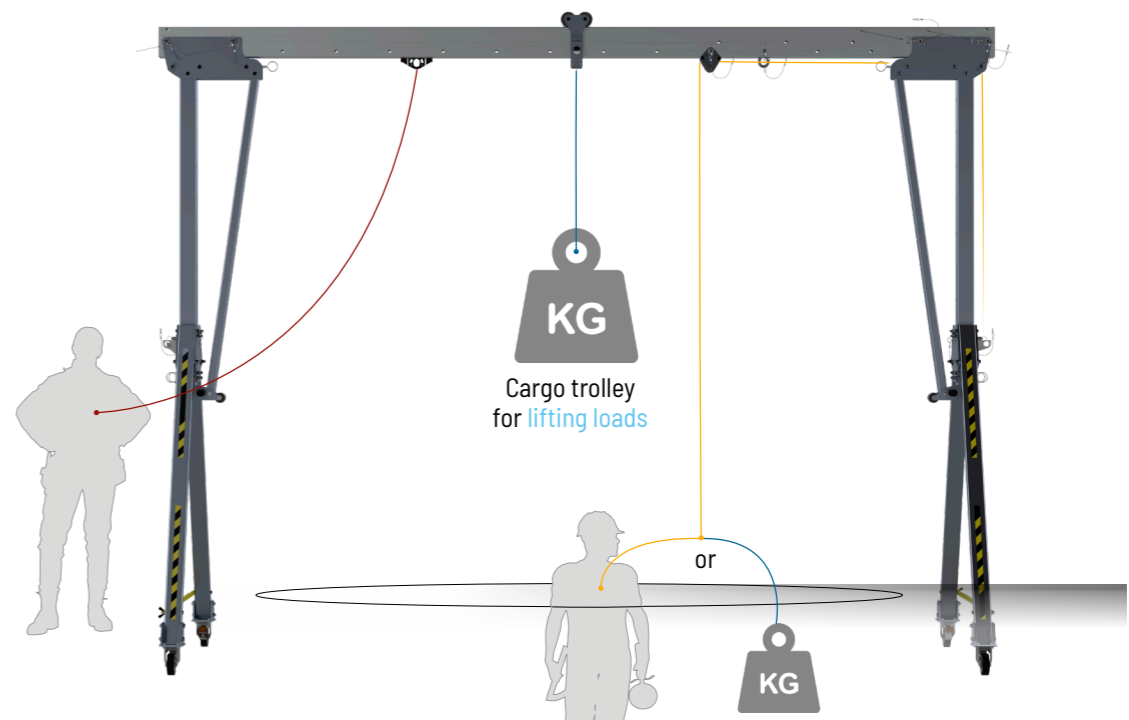


PROTEKT®

THE GANTRY CRANE SET IS BEAM AND A SET OF 2 FRAMES



The crane can be used to lift loads, secure workers and evacuation of workers.



A personnel trolley to secure workers operating the crane.

Additional evacuation devices or cargo lifting equipment.

SETTING UP CRANES USING CHAIN HOIST



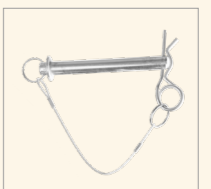
ASB500-360
HITCH FOR
LIFTING
FRAME

THE CRANE FRAMES ARE ADJUSTABLE AND LOCKABLE
AT A SELECTED HEIGHT APPROPRIATE HEIGHT IS LOCKED WITH A SUITABLE COTTER

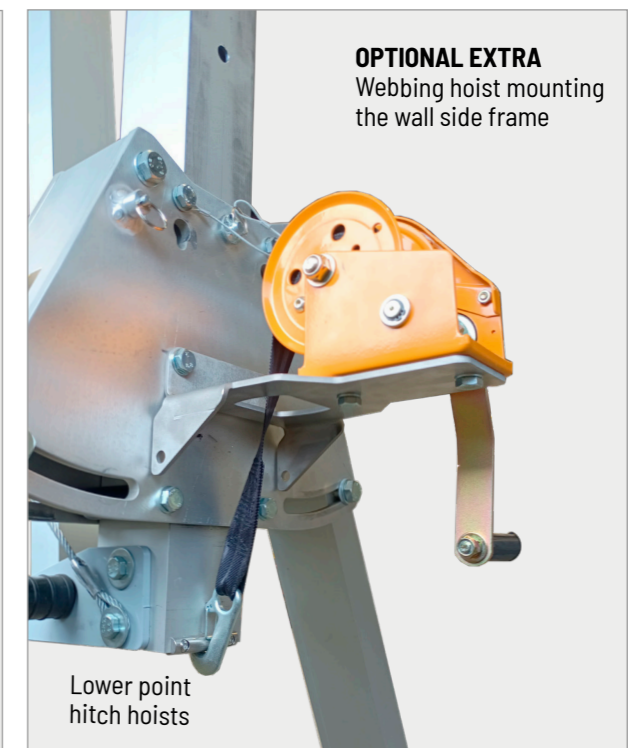
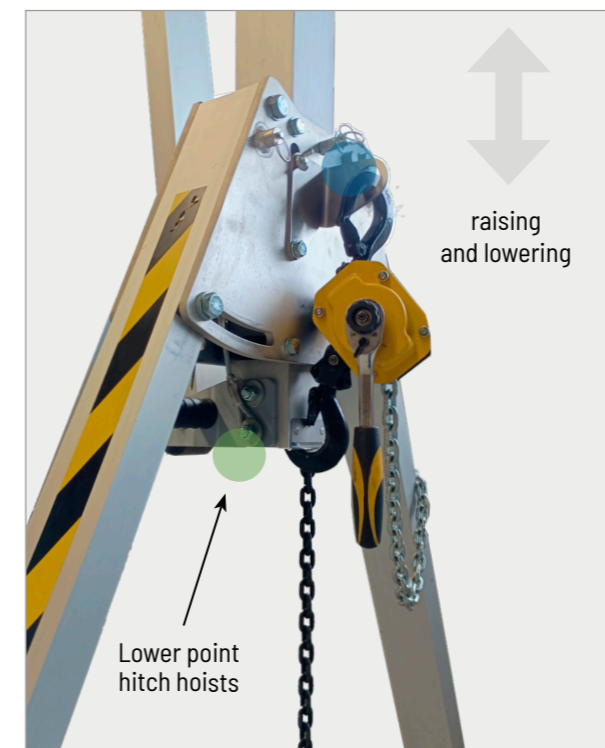


- 1 Lower hitching point at the bottom of the frame
- 2 Top hitch point to hoist handle

LOCKING OF THE VERTICAL PROFILE WITH 16 MM PIN WITH COTTER



ASB500-130



TYPE

ASB



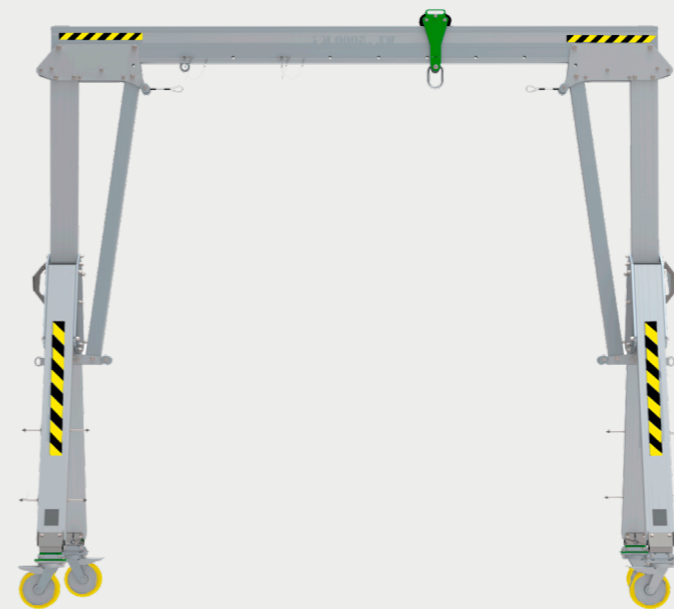
TYPE

LSB



TYPE

HSB



TYPE

**KSB
KSB-LE
FSB**



LOAD **Maximum 3 tons**

PROTECTION FROM FALL FROM HEIGHT **Maximum 5 users**

LENGTH BEAMS **from 2 to 7 m**

WORKING HEIGHT **from 1,6 to 6,4 m**

LOAD **Maximum 2 tons**

PROTECTION FROM FALL FROM HEIGHT **Maximum 3 users**

LENGTH BEAMS **from 2 to 7 m**

WORKING HEIGHT **from 1,6 to 6,4 m**

LOAD **Maximum 5 tons**

PROTECTION FROM FALL FROM HEIGHT **Maximum 5 users**

LENGTH BEAMS **from 2 to 7 m**

WORKING HEIGHT **from 3 to 5 m**

LOAD **Maximum 0,5 tons**

PROTECTION FROM FALL FROM HEIGHT **Maximum 2 users**

LENGTH BEAMS **from 2 to 6 m**

WORKING HEIGHT **from 1,9 to 3,1 m**

STANDARD GANTRIES

EN 13001
EN 15011
EN 795/B:2012
CEN/TS 16415/B:2013

ALUMINUM
GANTRY
CRANE

ASB



1 - ASB gantry crane
2 - LSB light gantry crane
3 - Compact gantry crane KSB - LE

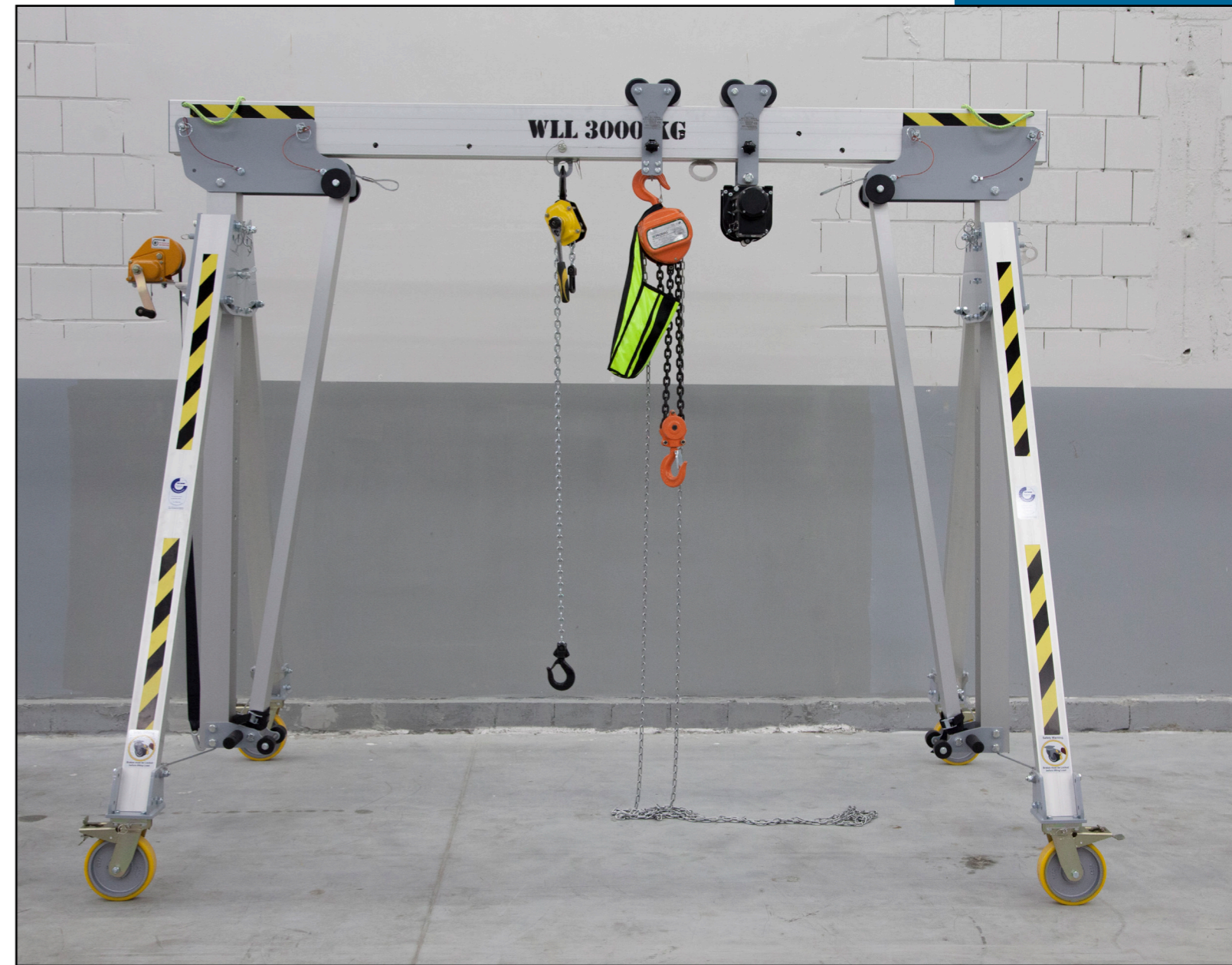
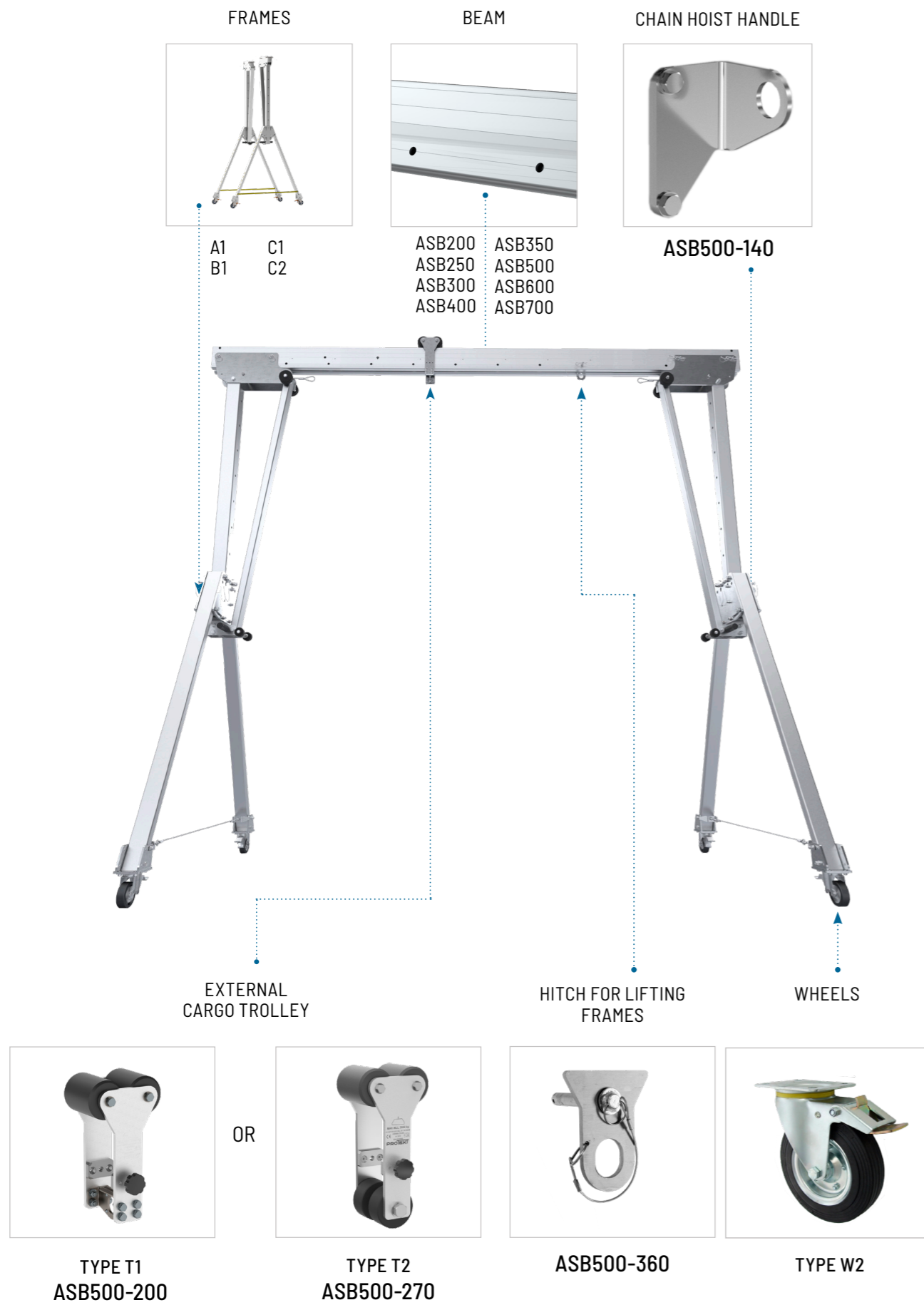


LOAD  **Maximum 3 tons**

PROTECTION FROM FALL FROM HEIGHT  **Maximum 5 users**

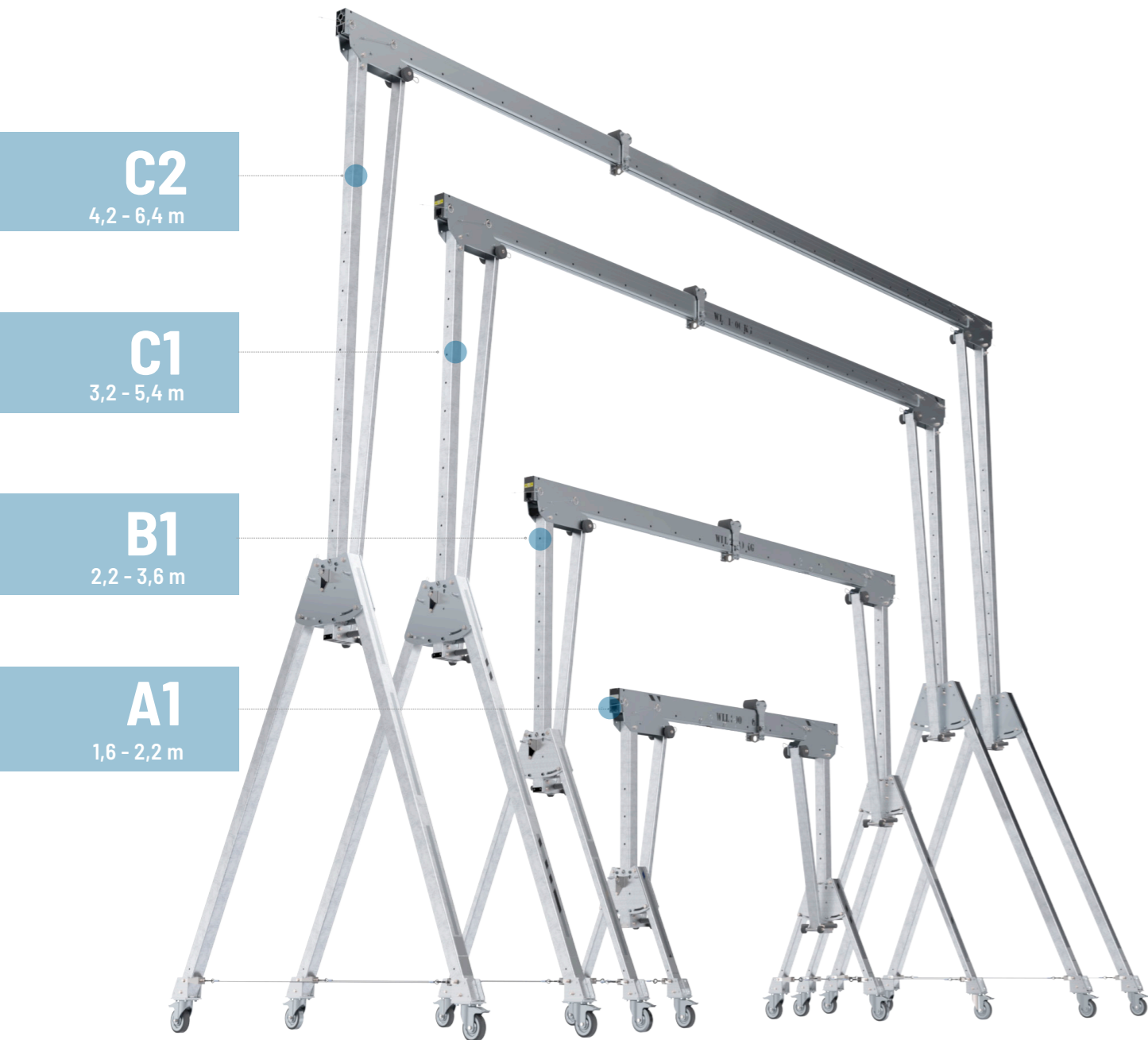
LENGTH BEAMS  **from 2 to 7 m**

WORKING HEIGHT  **from 1,6 to 6,4 m**



PERMISSIBLE WORKING LOADS [T]
(beam variant + frame type)

Type beam / Type frame	ASB200 200 cm	ASB250 250 cm	ASB300 300 cm	ASB350 350 cm	ASB400 400 cm	ASB500 500 cm	ASB600 600 cm	ASB700 700 cm
Frame C2	1,0	1,0	1,0	1,0	1,0	1,0	1,0	1,0
Frame C1	3,0	3,0	3,0	3,0	3,0	2,5	2,5	2,5
Frame B1	3,0	3,0	3,0	3,0	3,0	2,5	2,5	2,5
Frame A1	3,0	3,0	3,0	3,0	3,0	2,5	2,5	2,5



TYPE FRAMES	WORKING HEIGHT UNDER THE FRAME [H]	WEIGHT ONE FRAME	WEIGHT OF THE SET (2 PIECES)
Frame C2	4,2 m - 6,4 m	98,4 kg	196,8 kg
Frame C1	3,2 m - 5,4 m	72,8 kg	145,6 kg
Frame B1	2,2 m - 3,6 m	50,2 kg	100,4 kg
Frame A1	1,6 m - 2,2m	38,2 kg	76,4 kg

The complete crane consists of a beam and a set of frames (2 pieces).

STANDARD EQUIPMENT

HOIST HANDLE

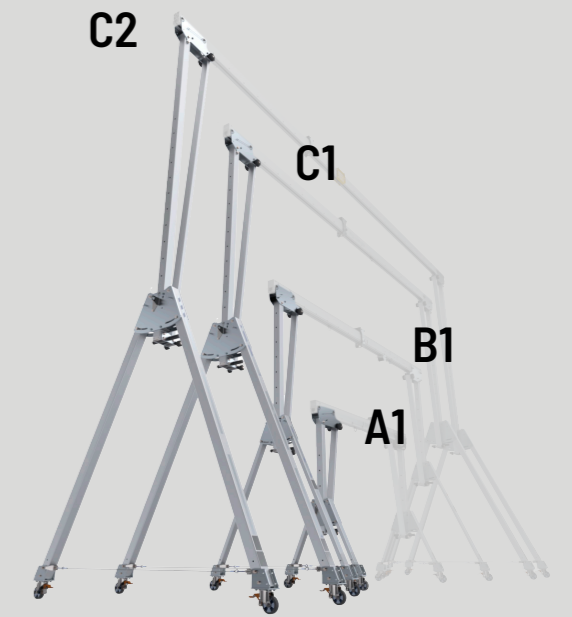


ASB500-140

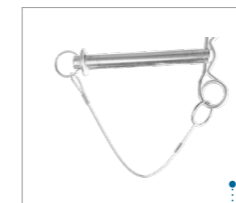
WHEELS TYPE W2



Ø 160
rubber + galvanized steel



LOCKING OF THE VERTICAL PROFILE WITH 16 MM PIN AND COTTER



ASB500-130

Height adjustment holes of the vertical profile of the cranes of all series (5 degrees every 200 mm).

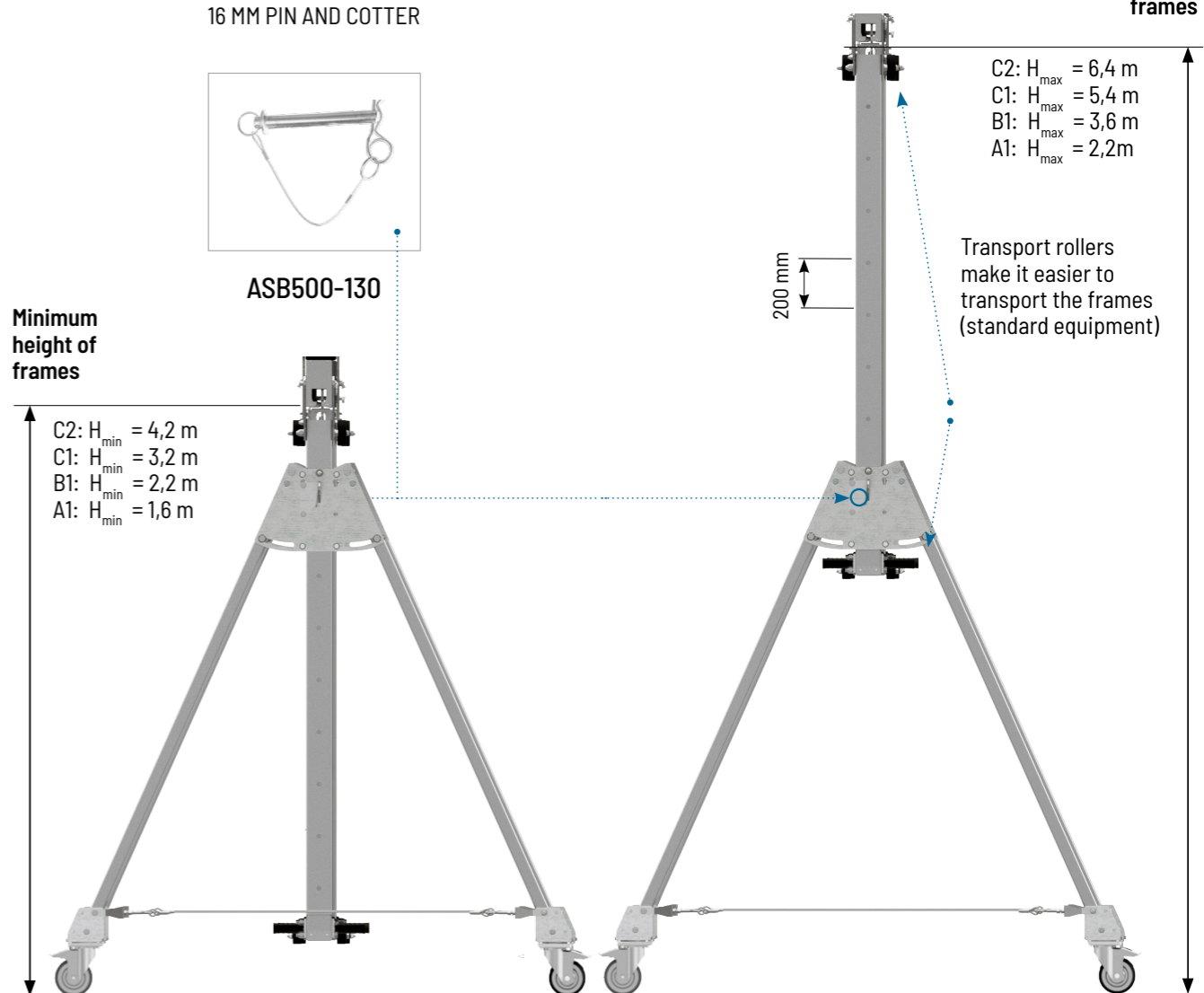
Maximum height of frames

C2: $H_{max} = 6,4$ m
C1: $H_{max} = 5,4$ m
B1: $H_{max} = 3,6$ m
A1: $H_{max} = 2,2$ m

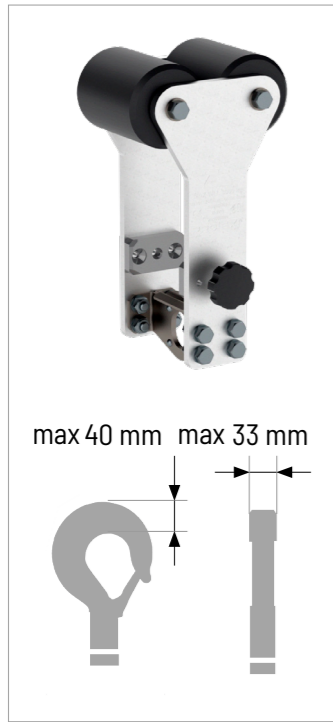
Transport rollers make it easier to transport the frames (standard equipment)

Minimum height of frames

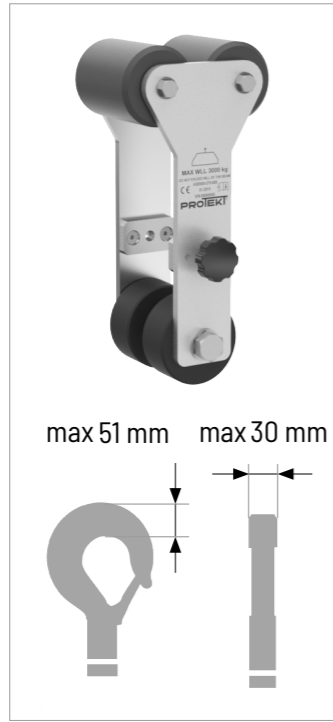
C2: $H_{min} = 4,2$ m
C1: $H_{min} = 3,2$ m
B1: $H_{min} = 2,2$ m
A1: $H_{min} = 1,6$ m



EXTERNAL CARGO TROLLEY



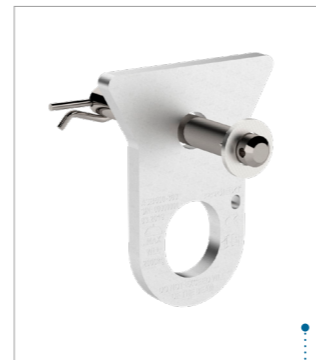
OR



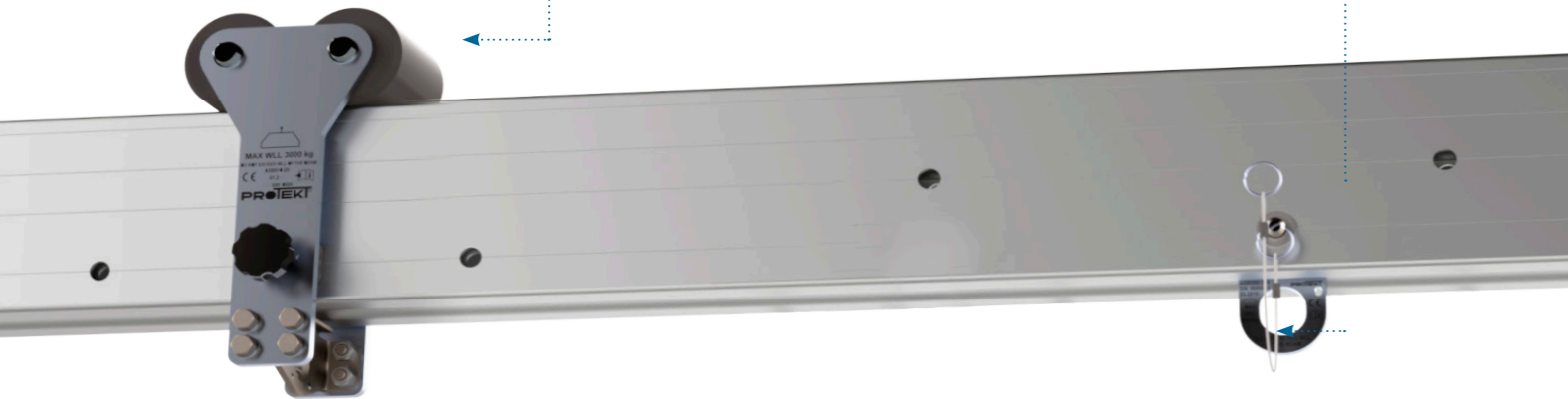
Type T1
ASB500-200

Type T2
ASB 500-270

HITCH FOR LIFTING FRAME



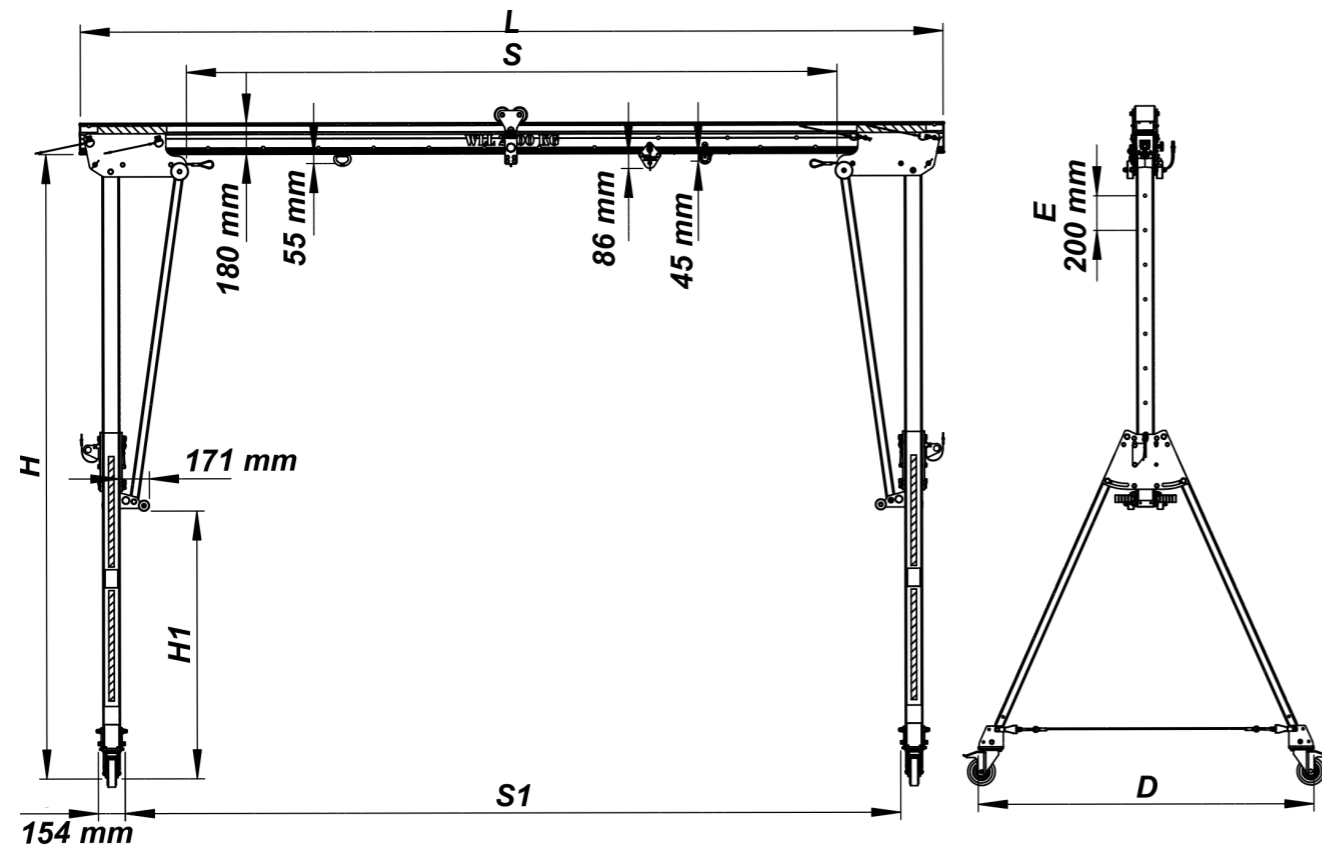
ASB500-360



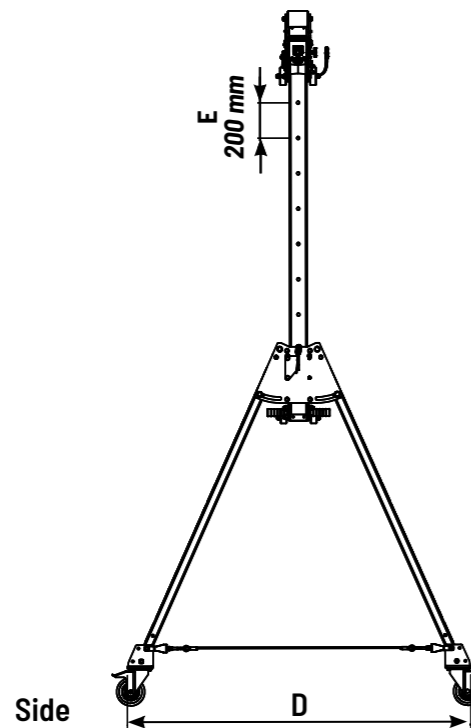
PARAMETERS OF AVAILABLE BEAMS:

	WEIGHT	LENGTH
ASB200	26,7 kg	2,0 m
ASB250	33,4 kg	3,5 m
ASB300	40,1 kg	3,0 m
ASB350	46,8 kg	3,5 m
ASB400	53,4 kg	4,0 m
ASB500	66,5 kg	5,0 m
ASB600	80,1 kg	6,0 m
ASB700	93,5 kg	7,0 m





Front

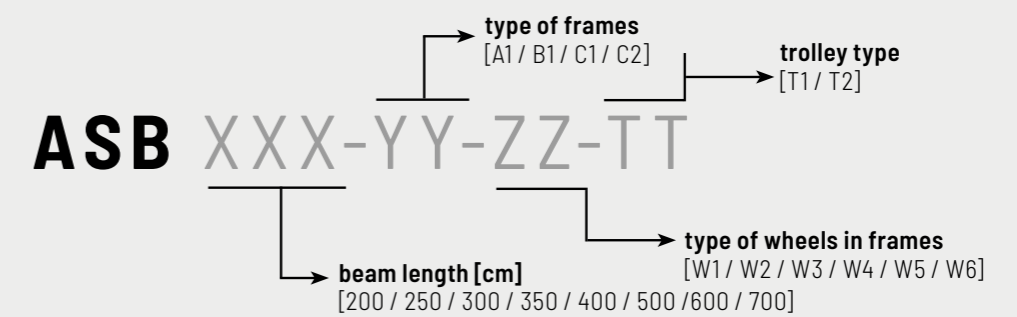


Side

Beam length "L" [cm]	200	250	300	350	400	500	600	700
Beam weight [kg]	26,7	33,4	40,1	46,8	53,4	66,5	80,1	93,5
Beam working range "S" [cm]	77	127	177	227	277	377	477	577
Working range of frames "S1" [cm]	150	200	250	300	350	450	550	650
Frame C2	WLL [T]	1,0	1,0	1,0	1,0	1,0	1,0	1,0
	Weight of crane [kg]	242	249	255	262	269	282	309
Frame C1	WLL [T]	3,0	3,0	3,0	3,0	3,0	2,5	2,0
	Weight of crane [kg]	204	211	218	225	231	244	258
Frame B1	WLL [T]	3,0	3,0	3,0	3,0	3,0	2,5	2,0
	Weight of crane [kg]	148	155	161	168	174	188	201
Frame A1	WLL [T]	3,0	3,0	3,0	3,0	3,0	2,5	2,0
	Weight of crane [kg]	122	129	135	142	148	162	175

	Frame weight [kg]	"H" - Working height (min... max) [cm]	"H1" - Height under roller (min... max) [cm]	"D" - Leg spacing [cm]	"E" - Adjustment working height [cm]
Frame C2	98,4	423,0 - 643,0	164,0 - 236,4	283,4	20
Frame C1	72,8	323,0 - 543,0	164,0 - 236,4	283,4	20
Frame B1	50,2	220,7 - 360,7	141,0 - 154,1	192,8	20
Frame A1	38,2	159,4 - 219,4	34,0 - 63,4	111,5	20

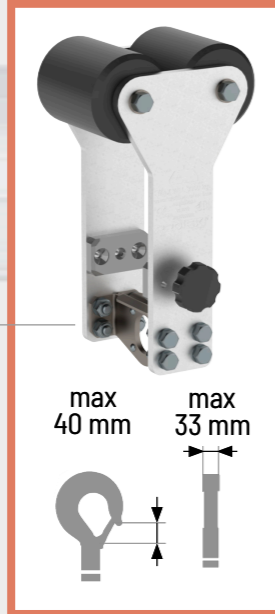
ASB PART NUMBER



EXAMPLE: **ASB500-B1-W2-T2**
5-meter beam with B1 frames equipped with W2 wheels and T2 trolley

CARGO EXTERNAL TROLLEYS

Trolley type ASB-T1
ASB500-200



Trolley type ASB-T2
ASB500-270

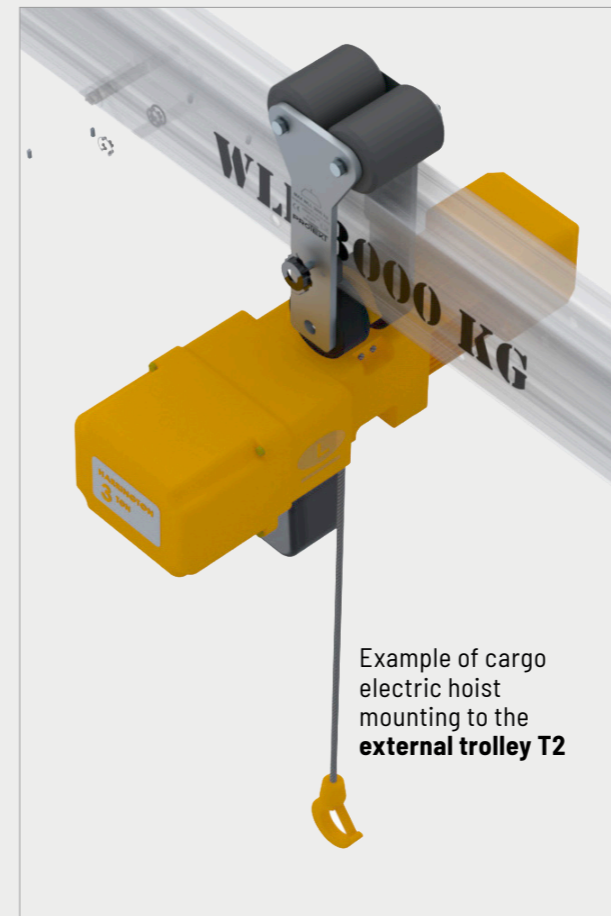


CARGO EXTERNAL TROLLEYS

Trolley type ASB-T1
ASB500-200

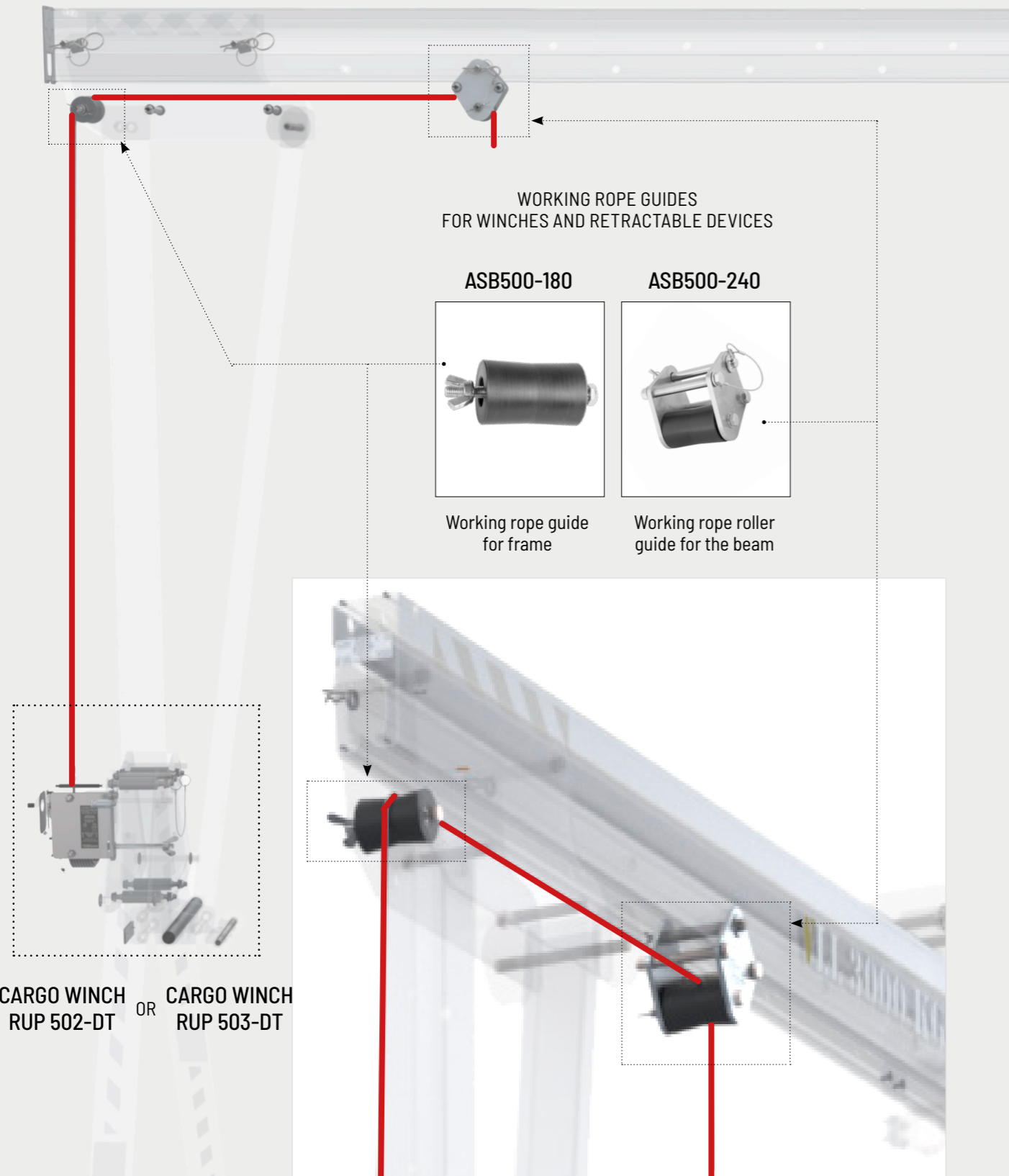


Trolley type ASB-T2
ASB500-270

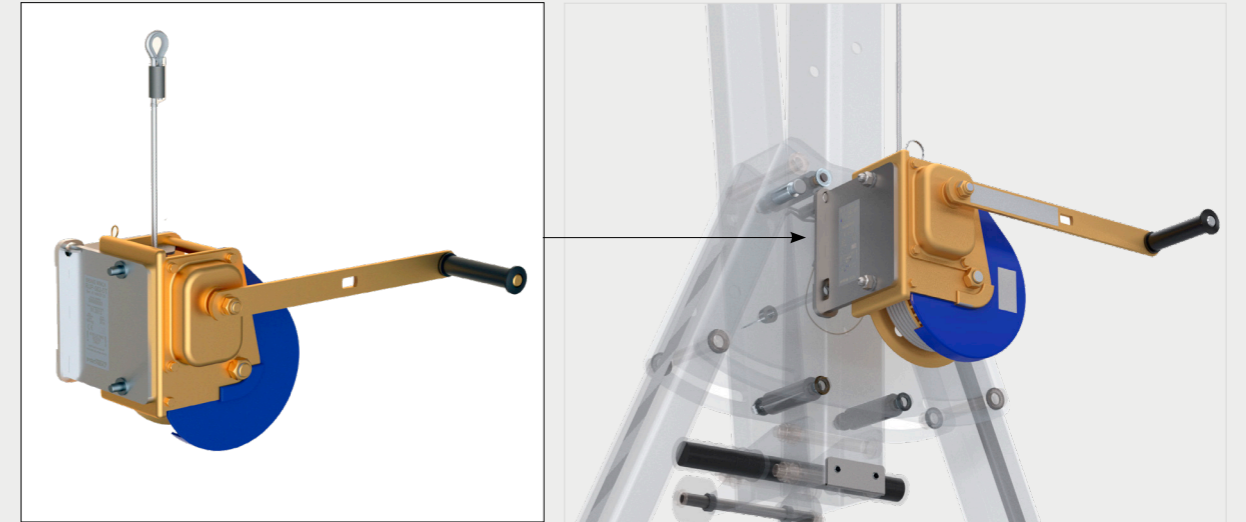


3000 KG

WLL 3000 KG

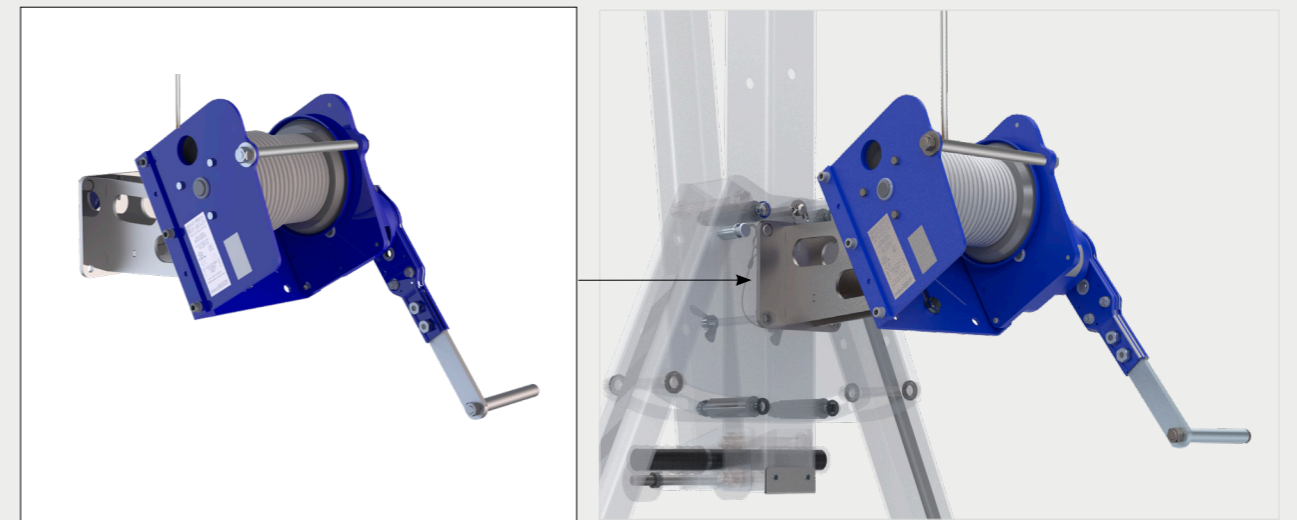


RUP 502-DT CARGO WINCH WITH 25 M ROPE DESIGNED TO LIFT LOADS UP TO 500 KG ATTACHED TO THE MAIN BASE FRAME



CARGO WINCH RUP 502-DT

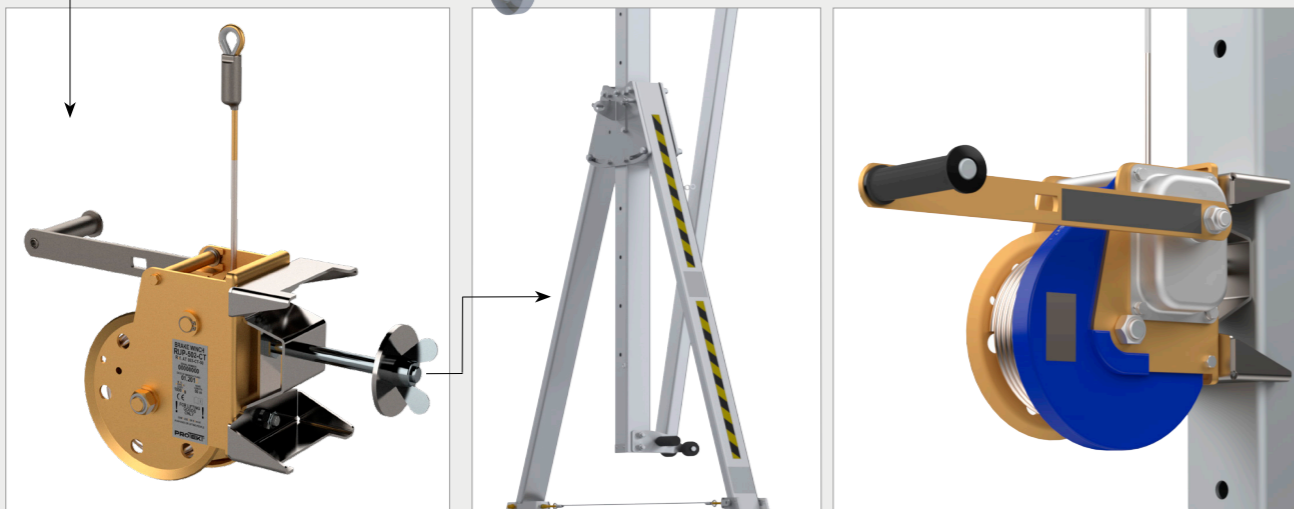
RUP 503-DT CARGO WINCH WITH 50 M ROPE DESIGNED TO LIFT LOADS UP TO 1000 KG



CARGO WINCH RUP 503-DT

RUP 502-CT CARGO WINCH WITH 25 M ROPE DESIGNED TO LIFT LOADS UP TO 500 KG MOUNTING THE TO THE VERTICAL FRAME PROFILE

RUP 503-CT CARGO WINCH WITH 50 M ROPE DESIGNED TO LIFT LOADS UP TO 500 KG MOUNTING THE TO THE VERTICAL FRAME PROFILE



CARGO WINCH RUP 502-CT

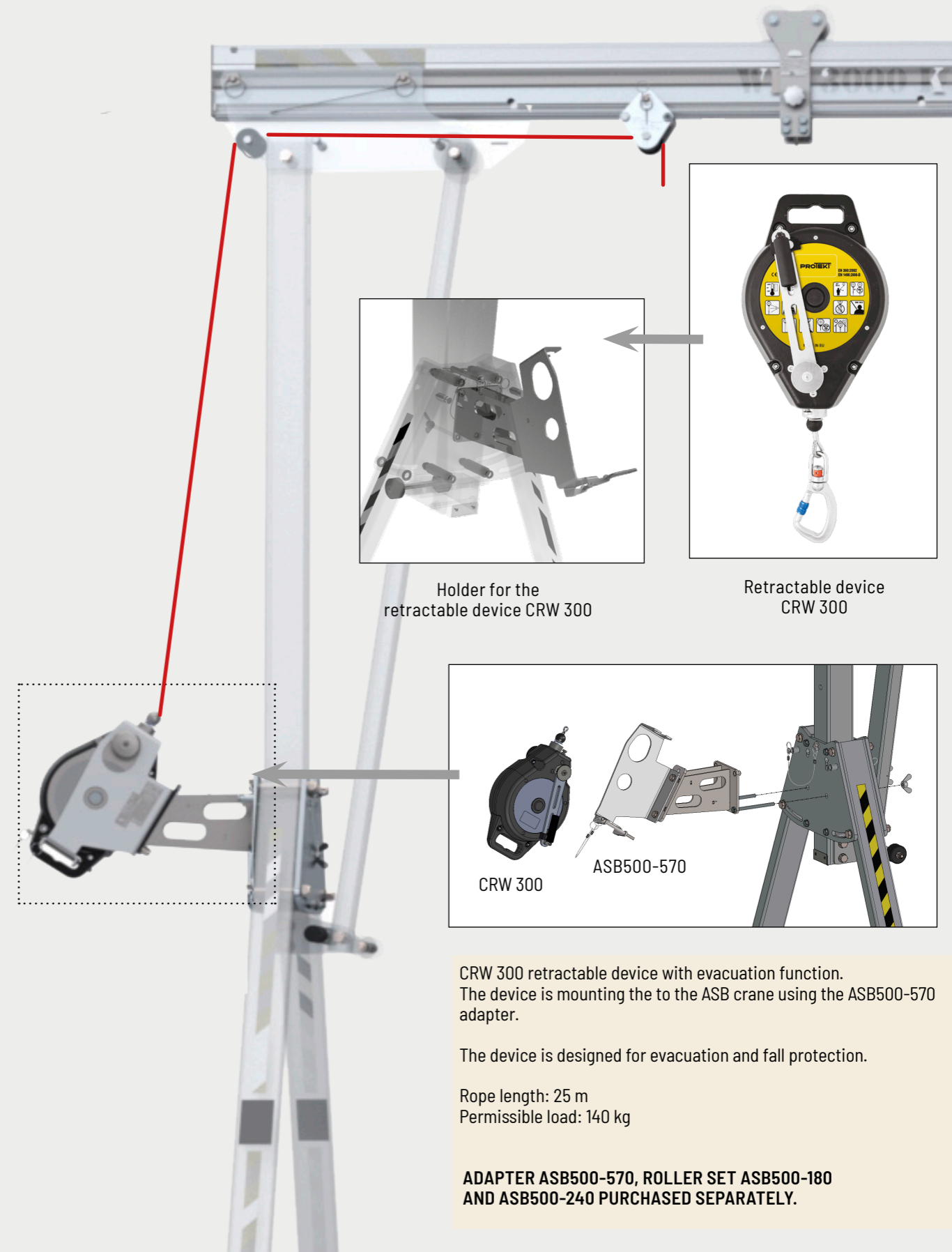
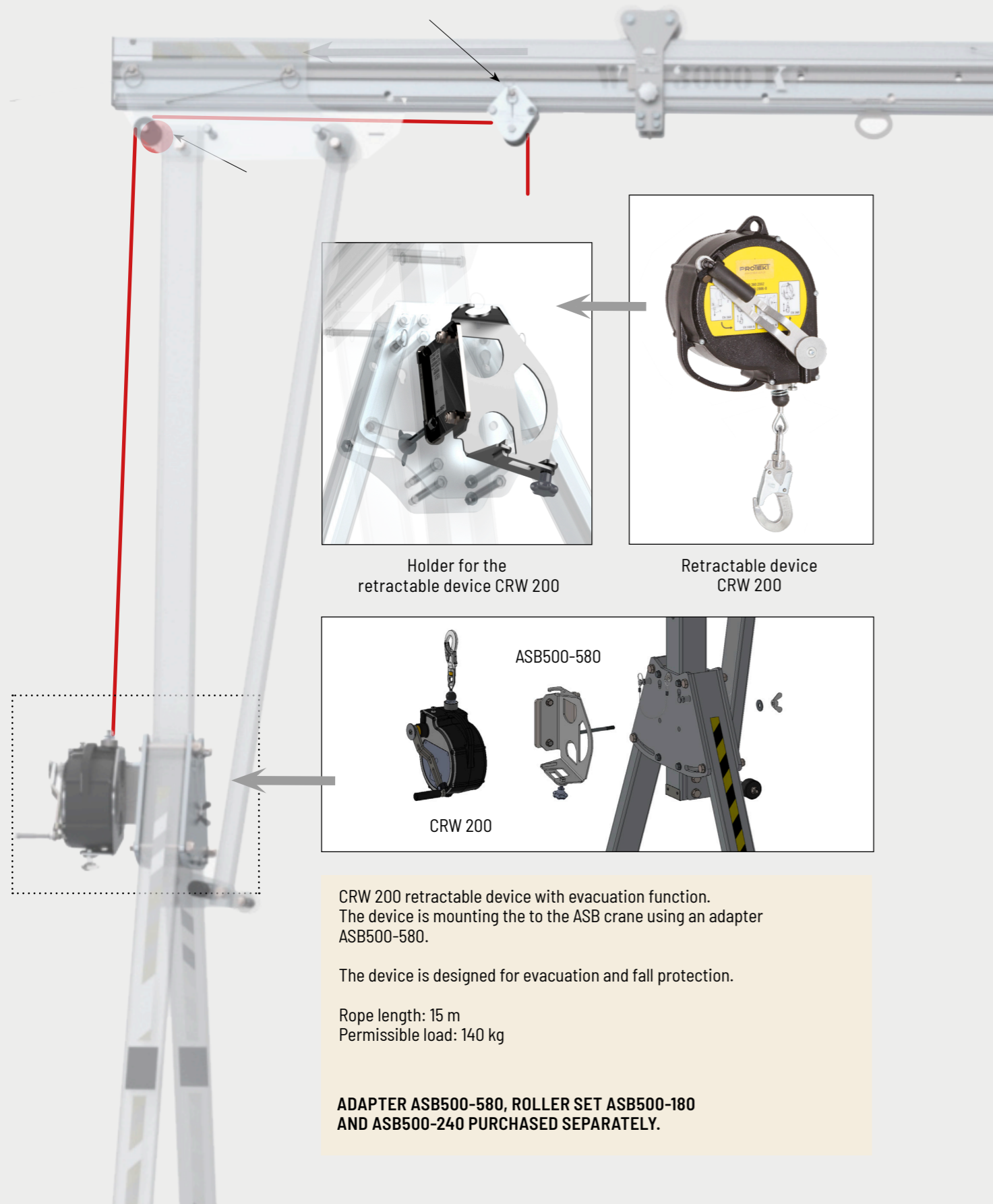
ASB CRANE FRAME LOWERED BELOW THE MAIN NODE

CARGO WINCH RUP 502-CT INSTALLED FOR VERTICAL PROFILE

CARGO WINCH RUP 503-CT

ASB CRANE FRAME LOWERED BELOW THE MAIN NODE

CARGO WINCH RUP 503-CT INSTALLED FOR VERTICAL PROFILE





	W1	W2	W3	W4	W5	W6	W7	W8
PURPOSE								
Indoor	✓	✓	✓	✓	✓	✓	✓	
For clean areas			✓		✓	✓	✓	
Outside								✓
TYPE OF SURFACE								
Smooth floor (concrete, resin)	✓	✓	✓					
Hardened surface (stone, concrete, bituminous)				✓	✓	✓	✓	✓
Ground surface (gravel, stones, soil)								✓
ADDITIONAL OPTION								
Brake	✓	✓	✓	✓	✓	✓	✓	✓
Position lock (movement under load)				✓	✓	✓	✓	✓
RECOMMENDED	LSB	ASB BAS	-	-	-	-	HSB	-
COMPATIBLE	ASB LSB	ASB LSB BAS	ASB LSB	ASB LSB BAS	ASB LSB BAS	ASB LSB BAS HSB	ASB HSB	ASB HSB

Wheel type	Diameter (mm)	Maximum load (kg)	Compatible with cranes	Destination	Types of surfaces	Additional functions
W1	160	1000	ASB, LSB	Inside (production hall)	Smooth floor (concrete, resin)	Brake
W2	200	2000	ASB, LSB, BAS	Inside (production hall)	Smooth floor (concrete, resin)	Brake
W3	160	1000	ASB, LSB	Inside (production hall) To clean zones	Smooth floor (concrete, resin)	Brake
W4	200	3000	ASB, LSB, BAS	Inside (production hall)	Hardened surface (paving stone, concrete, bituminous surface)	Brake Blocking position
W5	200	2000	ASB, LSB, BAS	Inside (production hall) To clean zones	Hardened surface (paving stone, concrete, bituminous surface)	Brake Blocking position
W6	250	5000	ASB, LSB, BAS, HSB	Inside (production hall) To clean zones	Hardened surface (paving stone, concrete, bituminous surface)	Brake Blocking position
W7	250	5000	ASB, HSB	Inside (production hall) To clean zones	Hardened surface (paving stone, concrete, bituminous surface)	Brake Blocking position
W8	460	2000	ASB, HSB	Can be used outdoors	Hardened surface (paving stone, concrete, bituminous surface)	Brake Blocking position

W1



Set of wheels (4 pieces) with a diameter of 160 mm. Wheels made of galvanized steel with rubber coating with a load capacity of up to 1000 kg. The wheel is equipped with a brake.

PURPOSE:
a) production hall (general purpose)
b) indoor

TYPE OF SURFACE:
smooth floor (concrete/resin)

Wheels recommended for overhead cranes: LSB
Wheels compatible with overhead cranes: ASB / LSB

ref. no. ASB100-010

TECHNICAL SPECIFICATIONS:

Weight: 12.8 kg
Size: 160 mm
Height: 197 mm
DOR: 1,000 kg
Material: rubber, galvanized steel
Finish: zinc, framed



W5



A set of wheels (4 pieces) with a diameter of 200 mm. Wheels made of aluminum with polyurethane coating. Wheels equipped with 92 Shore A hard tread. The wheel has a rotation lock and a brake. Load limit 2000 kg. Wheels compatible with cranes: ASB / LSB / BAS

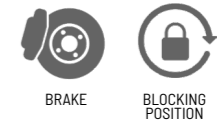
PURPOSE:
a) production hall (general purpose)
b) for clean areas
c) sliding under load

TYPE OF SURFACE:
smooth floor (concrete/resin)

ref. no. ASB100-050

TECHNICAL SPECIFICATIONS:

Weight: 22.8 kg
Size: 200 mm
Height: 252 mm
DOR: 2,000 kg
Material: rubber, aluminum
Finish: galvanized



W2



Set of wheels (4 pieces) with a diameter of 200 mm. Wheels made of galvanized steel with rubber coating with a load of up to 2000 kg. The wheel is equipped with a brake.

PURPOSE:
a) production hall (general purpose)
b) indoor

TYPE OF SURFACE:
smooth floor (concrete/resin)

Wheels recommended for overhead cranes: ASB / BAS
Wheels compatible with overhead cranes: ASB / LSB / BAS

ref. no. ASB100-020

TECHNICAL SPECIFICATIONS:

Weight: 16.4 kg
Size: 200 mm
Height: 234 mm
DOR: 2,000 kg
Material: rubber, galvanized steel
Finish: zinc, framed



W6



Set of wheels (4 pieces) with a diameter of 250 mm. Wheels made of cast iron with polyurethane coating. Load capacity up to 5000 kg. The wheel has a wheel rotation lock and a brake.

Wheels compatible with overhead cranes:
ASB / LSB / BAS / HSB.

INTENDED USE:
a) production hall (general purpose)
b) inside
c) moving under load

TYPE OF SURFACE:
smooth floor (concrete/resin)

ref. no. ASB100-060

TECHNICAL SPECIFICATIONS:

Weight: 47.12 kg
Size: 250 mm
Height: 305 mm
DOR: 5,000 kg
Material: polyurethane, cast iron, galvanized steel
Finish: galvanized



W3



A set of wheels (4 pieces) with a diameter of 160 mm. Wheels made of aluminum with polyurethane coating with a load capacity of up to 1000 kg. Wheel brake.

Wheels compatible with overhead cranes: ASB / LSB

PURPOSE:
a) for clean areas
b) inside

TYPE OF SURFACE:
smooth floor (concrete/resin)

ref. no. ASB100-030

TECHNICAL SPECIFICATIONS:

Weight: 13.2 kg
Size: 160 mm
Height: 197 mm
DOR: 1,000 kg
Material: polyurethane, aluminum, galvanized steel
Finish: zinc, framed



W7



Tandem type wheels (double) with a diameter of 250 mm cast iron-polyurethane wheels in a swivel housing with a brake. The wheel has a 4x90 degree rotation lock.

INTENDED USE:
a) production hall (general purpose)
b) indoor

TYPE OF SURFACE:
(a) smooth floor (concrete/resin)
b) hardened surface (paving stone / concrete / bituminous surface)

Wheels recommended for overhead cranes: HSB
Wheels compatible with overhead cranes: ASB / HSB

ref. no. ASB100-070

TECHNICAL SPECIFICATIONS:

Weight: 93.2 kg
Size: 2x 250 mm
Height: 310 mm
DOR: 5,000 kg
Material: polyurethane, cast iron, galvanized steel
Finish: galvanized



W4



Set of wheels (4 pieces) with a diameter of 200 mm. Wheels made of cast iron with polyurethane coating with a load of up to 3000 kg. The wheel has a wheel rotation lock and a brake.

Wheels compatible with overhead cranes: ASB / LSB / BAS

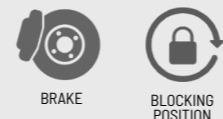
INTENDED USE:
a) production hall (general purpose)
b) sliding under load

TYPE OF SURFACE:
a) smooth floor (concrete/resin)
b) paved surface (paving stone / concrete / bituminous pavement)

ref. no. ASB100-040

TECHNICAL SPECIFICATIONS:

Weight: 40.4 kg
Size: 200 mm
Height: 260 mm
DOR: 3,000 kg
Material: polyurethane, cast iron, galvanized steel
Finish: zinc, framed



W8



Set of double wheels (4 pieces) with a diameter of 460 mm. Wheels made of steel and rubber (pneumatically inflated tires) designed to move the crane over difficult terrain. Permissible load up to 2000 kg. The wheels have a wheel rotation lock and a brake.

Wheels compatible with overhead cranes: ASB / HSB
(it is necessary to use wheel adaptor HSB000-A10-100)

INTENDED USE:
a) outdoors
b) moving under load

TYPE OF SURFACE:
a) paved surface (paving stones / concrete / bituminous surface)
b) ground surface (gravel / stones / ground)

ref. no. ASB100-080

TECHNICAL SPECIFICATIONS:

Weight: 100 kg
Size: 2x 460 mm
Height: 500 mm
DOR: 2,000 kg
Material: rubber, galvanized steel
Finish: galvanized



BAS - multi-beam variant of the ASB crane

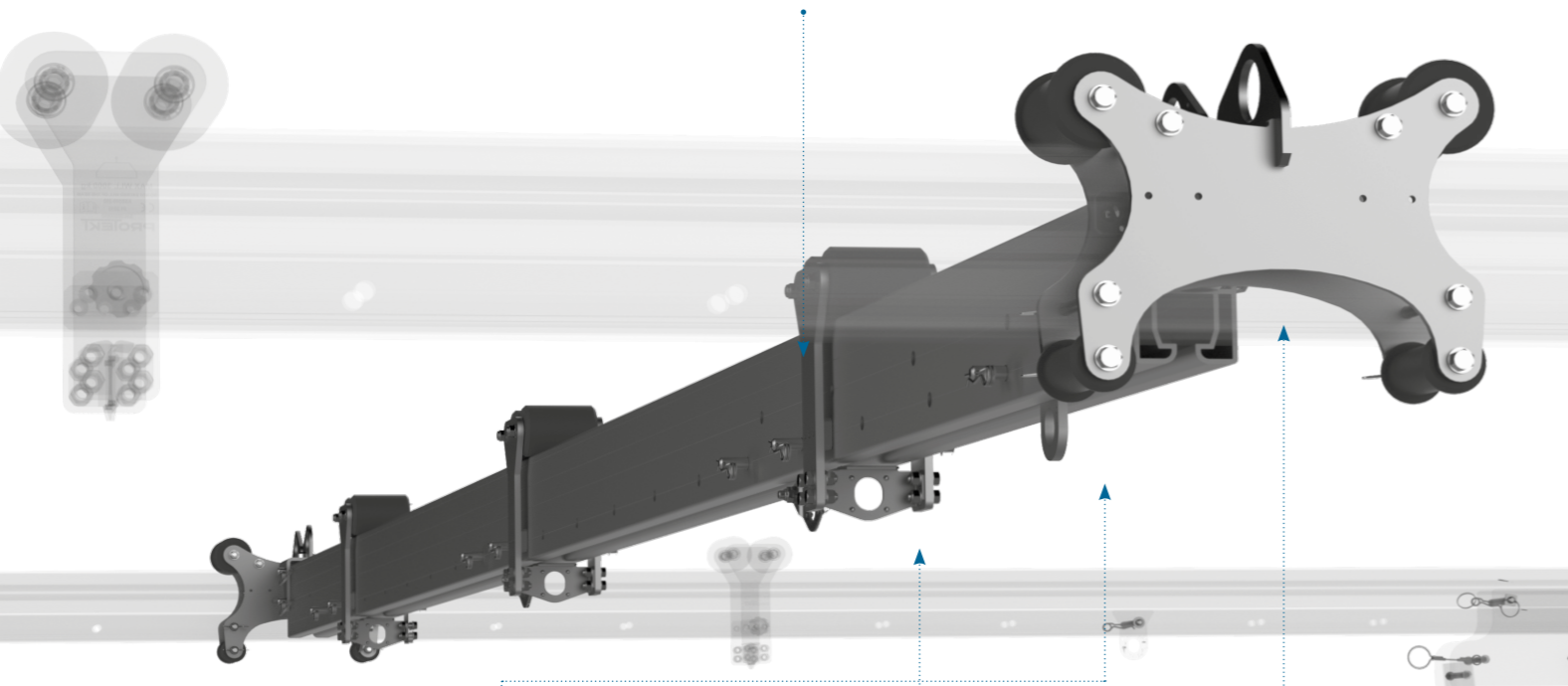


In order to combine 2 ASB cranes into a BAS set, you need to purchase 2 BAS100-300 consoles and an additional center beam of the specified length.

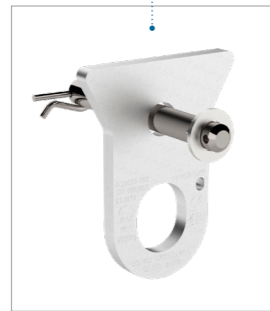


The crane is spaced in an H-shape with the central beam in the axis of the belayed space. Internal personal trolley and external capacity trolley can be mounting in any configuration on side beams and the central beam as long as the maximum capacity of the crane is not exceeded.

CENTRAL BEAM OF THE SYSTEM BAS



MAX 5 PEOPLE
1000 kg



ASB 500-360
HITCH LIFTING B1/C1 FRAMES



ASB500-200
TYPE ASB-T1 TROLLEY

LUB



ASB500-270
TYPE ASB-T2 TROLLEY



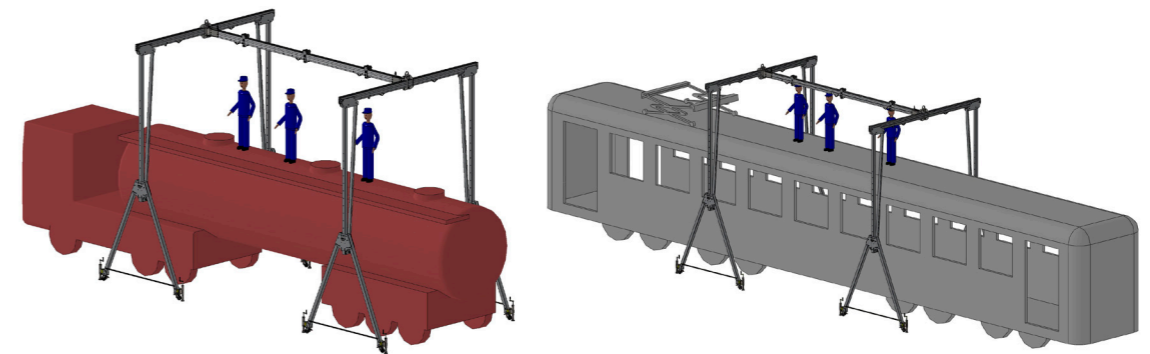
BAS100-300
CONSOLE FOR CONNECTING ASB BEAMS

BAS system - multi-beam variant of the ASB crane

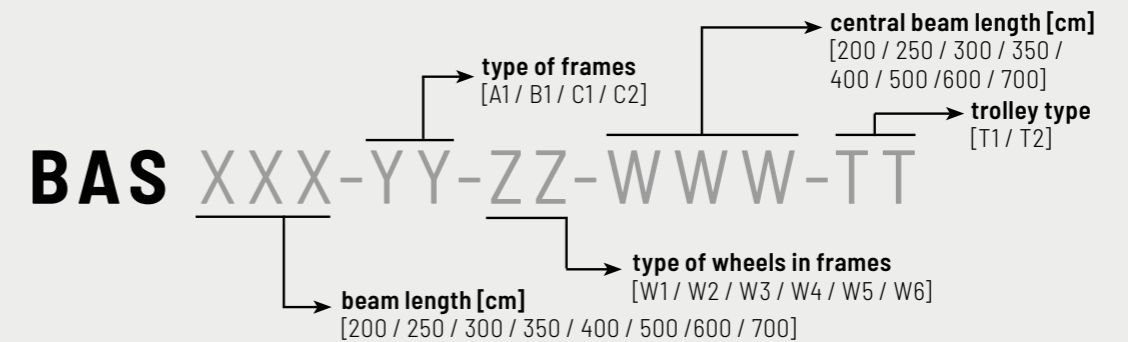
OTHER EXAMPLES OF BAS SYSTEMS



BAS SYSTEM OVER TANKER AND RAIL CAR



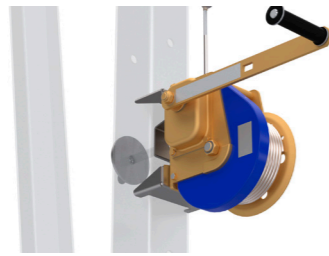
BAS PART NUMBER



EXAMPLE: BAS500-B1-W2-350-T2
5-meter beam with B1 frames equipped with W2 wheels and T2 trolley

RUP 502-CT

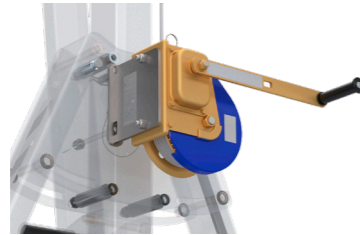
Winch (cargo)



RUP 502-CT cargo winch with a 25 m rope, designed for lifting loads up to 500 kg, mounting to the vertical profile of the frame.

RUP 502-DT

Winch (cargo)



RUP 502-DT cargo winch with a 25 m rope, designed for lifting loads up to 500 kg, mounting to frame side.

RUP 503-CT

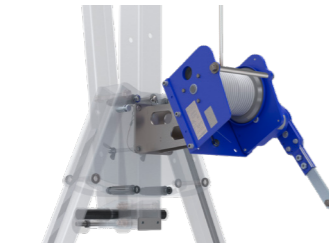
Winch (cargo)



RUP 503-CT cargo winch with a 50 m rope, designed for lifting loads up to 1000 kg, mounting to the vertical profile of the frame.

RUP 503-DT

Winch (cargo)



RUP 503-DT cargo winch with a 50 m rope, designed for lifting loads up to 1000 kg, mounting to frame side.

CRW 200

Retractable device



The CRW 200 is a combination of a retractable device and a rescue lifting device. The housing is made of aluminum alloy. The CRW 200 device has a manual winch with a lifting and lowering function with a galvanized steel cable.

CRW 300

Retractable device



The CRW 300 is a combination of a retractable device and a rescue lifting device. The housing is made of aluminum alloy. The device has a retractable galvanized steel cable. CRW 300 has a manual winch with a lifting and lowering function, it can be used alone or with selected tripods.

ASB500-570

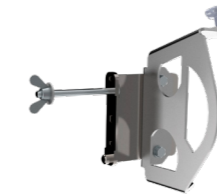
Holder for the CRW 300 device



A holder for attaching the CRW 300 retractable device to the frame.

ASB500-580

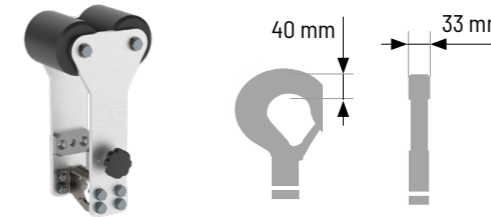
Holder for the CRW 200 device



A holder for attaching the CRW 200 retractable device to the frame side.

ASB500-200

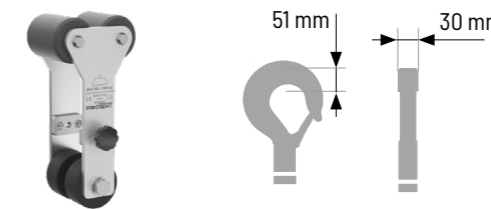
Cargo trolley external



Made of durable alloy aluminum, stainless steel and polyamide. The trolley can be locked in any position along the beam using a knob. Space for a 40 mm / 33 mm winch hook. The external trolley is intended only for lifting loads.

ASB500-270

Cargo trolley external



Made of durable alloy aluminum, stainless steel and polyamide. The trolley can be locked in any position along the beam using a knob. Space for a 51 mm / 30 mm winch hook. The external trolley is intended only for lifting loads.

ASB500-280

Personal trolley internal



Made of galvanized steel and stainless steel. Space saving - hitch eye only 55 mm below the beam. Locking position using pins with cotters. The inner trolley is intended only for the protection of persons.

ASB500-130

Pin 16mm with cotter

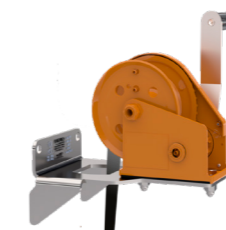


Made of galvanized steel. Used for:

- locking the position of the vertical frame profile (one for one frame),
- locking the position of the inner trolley along the beam (two for one inner trolley),
- installing the roller to the beam

ASB000-A03

Webbing hoist



The webbing hoist mounting to side frame sheet using 2 screws makes it easier to adjust the height of the crane.

ASB500-360

Hook for lifting the frame



Made of aluminum / galvanized steel. Used when installing an overhead crane, to raise and lower frames using a chain winch.

ASB500-600

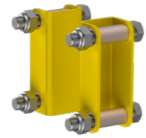
Crane stabilizer



Frames made of galvanized, powder-coated steel. They ensure leveling of the device on appropriate terrain and stability of the device during operation. Equipped with screws and wing nuts for installation on the frame leg. The device must be equipped with four wheel frames.

ASB500-813

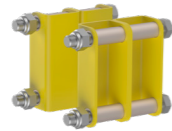
Spacers for frames 40 mm



Connectors to increase the frame distance from the crane leg by 40 mm (ASB500-813).

ASB500-814

Spacers for frames 80 mm



Connectors to increase the frame distance from the crane leg by 80 mm (ASB500-814).

ASB500-240

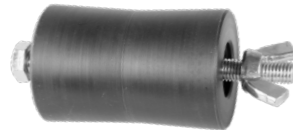
Roller guide to the beam



Roller guide for the working rope attached to the beam.

ASB500-180

Rope guide working to the frame



The guide for the winch's working rope is placed at the top of the frame.

ASB500-600

Beam transporter



Transporter used to easily transport beams over long distances, equipped with solid rubber wheels with a diameter of 200 mm. Quick attachment of the beam using a pin with a cotter.

ASB500-140

Hoist handle chainsaw



Chain hoist handle used for lifting the ASB crane.

ASB500-370

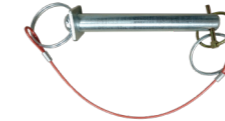
Hook to extending the profile vertical frame



Made of stainless steel. Used when adjusting the height of the vertical frame profile when the chain winch hook cannot be attached to the lower part of the vertical frame profile. Should be used with C1 frames.

ASB500-560

Pin 17.5 mm with cotter



Used to connect beams with frames.

ASB500-819

Optional ASB beam connector for length 800 and 900 cm

	WEIGHT	LENGTH
ASB800	112 kg	8 m
ASB900	125 kg	9 m



Used to connect beams to achieve optional lengths of 8 m and 9 m.

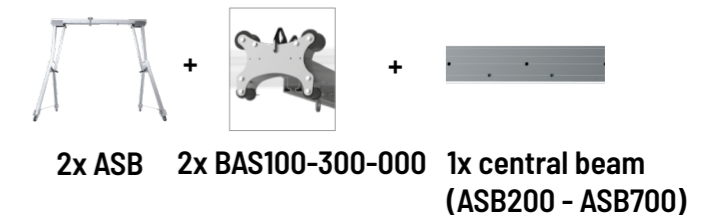
Beams constructed using the ASB500-819 connector have acceptable strengths working load not exceeding 0.5 tons for each frame.

BAS100-300-000

Console for the BAS system



Console made of stainless steel, enabling the installation of a central beam between two ASB cranes. To assemble the BAS set, you need two ASB cranes, two BAS100-300 consoles and a central beam of appropriate length.





1. KSB - Compact crane

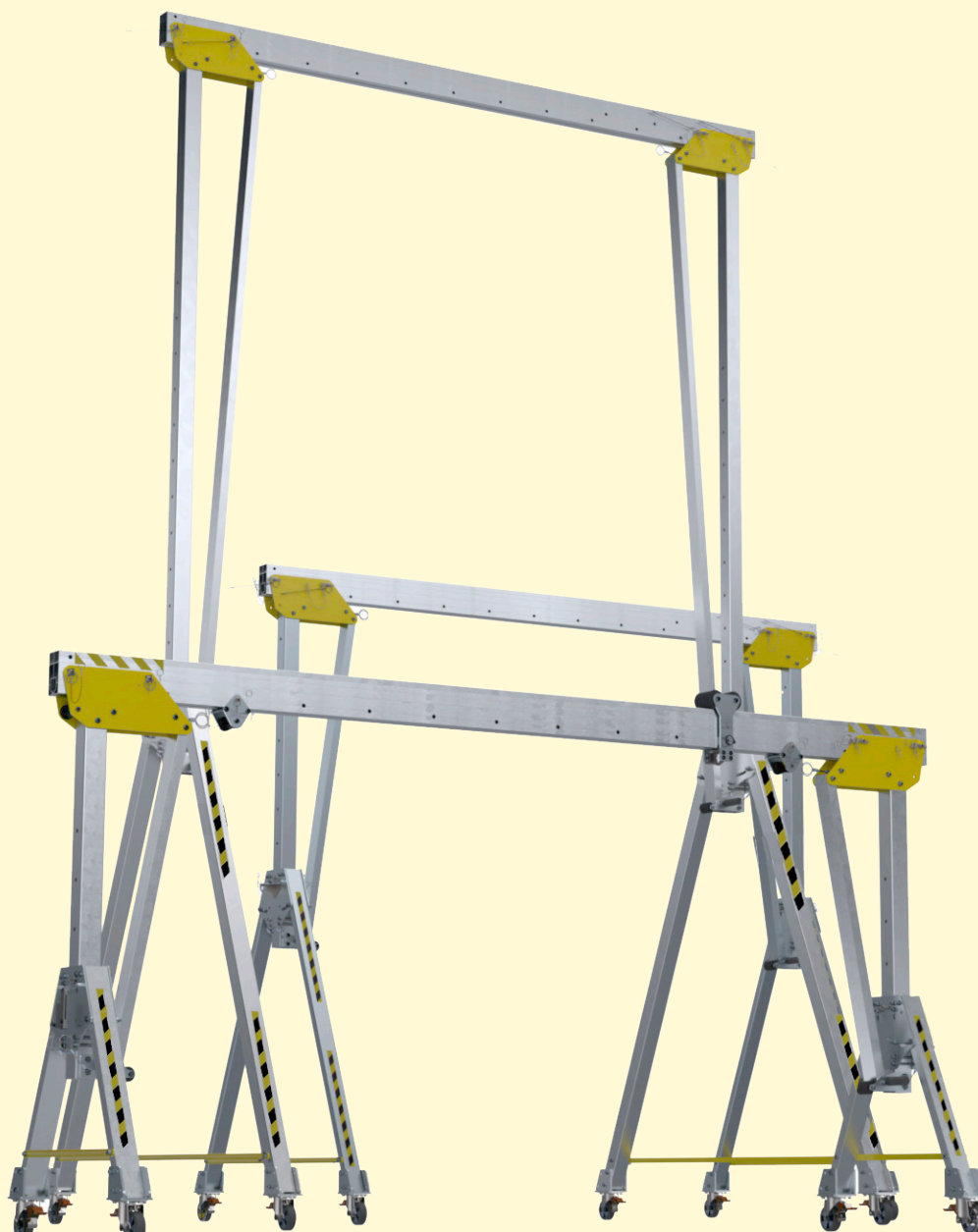
2. LSB - Light gantry crane

3. ASB - Gantry crane

EN 13001
EN 15011
EN 795/B:2012
CEN/TS 16415/B:2013

LIGHT
GANTRY
CRANE

LSB

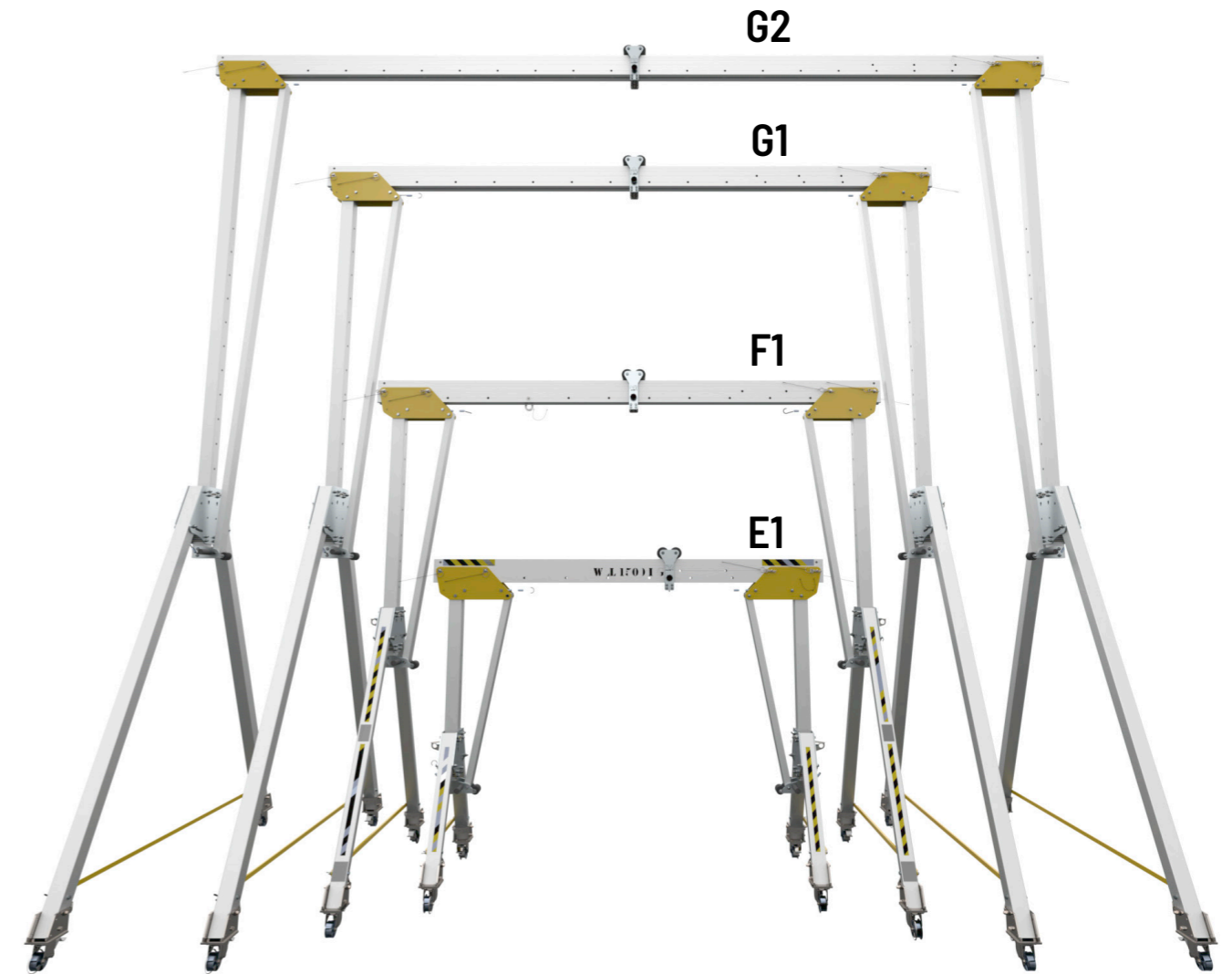
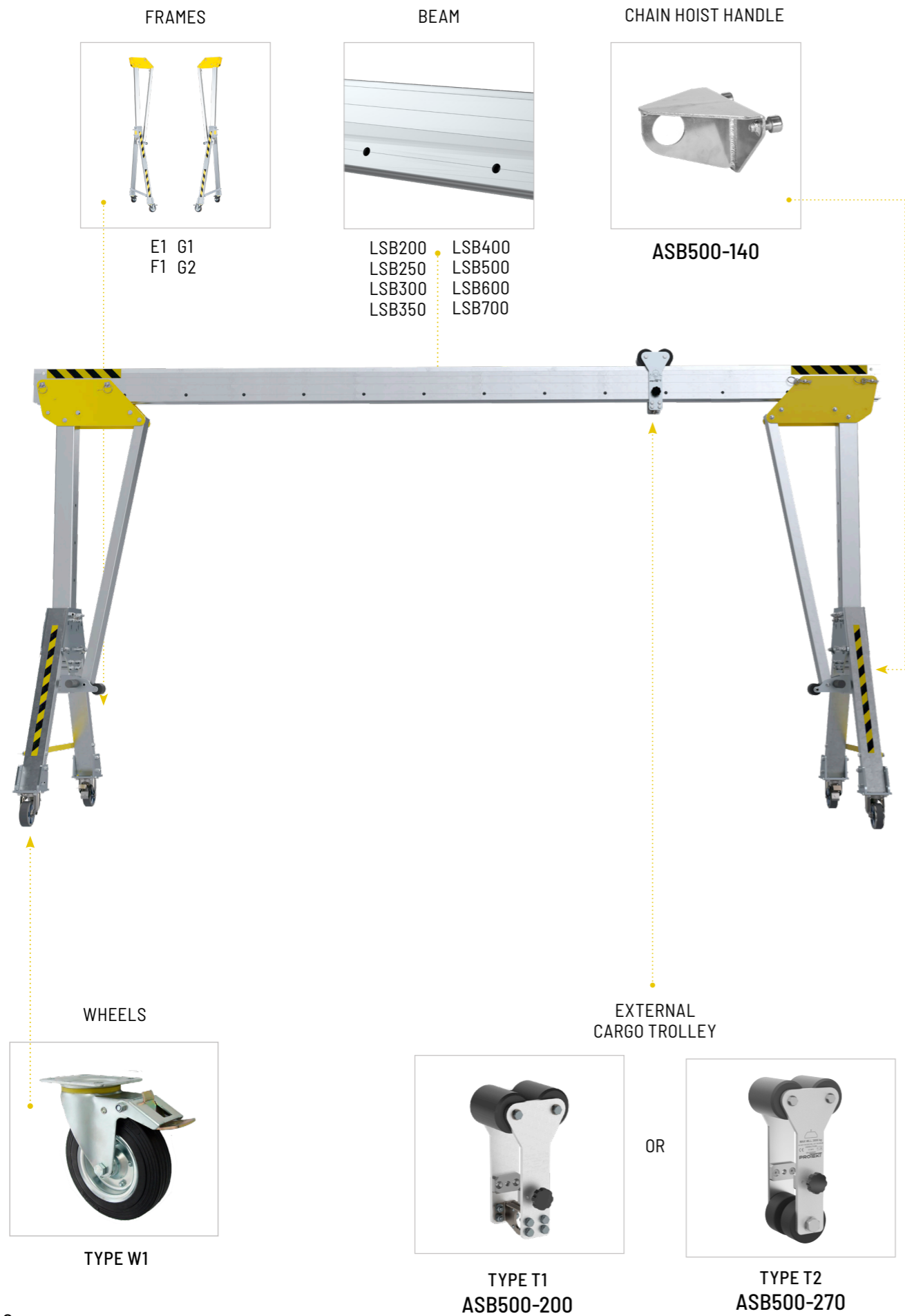


LOAD  **Maximum 2 tons**

PROTECTION FROM FALL FROM HEIGHT  **Maximum 3 users**

LENGTH BEAMS  **from 2 to 7 m**

WORKING HEIGHT  **from 1,6 to 6,4 m**



PERMISSIBLE WORKING LOADS [T]
(beam variant + frame type)

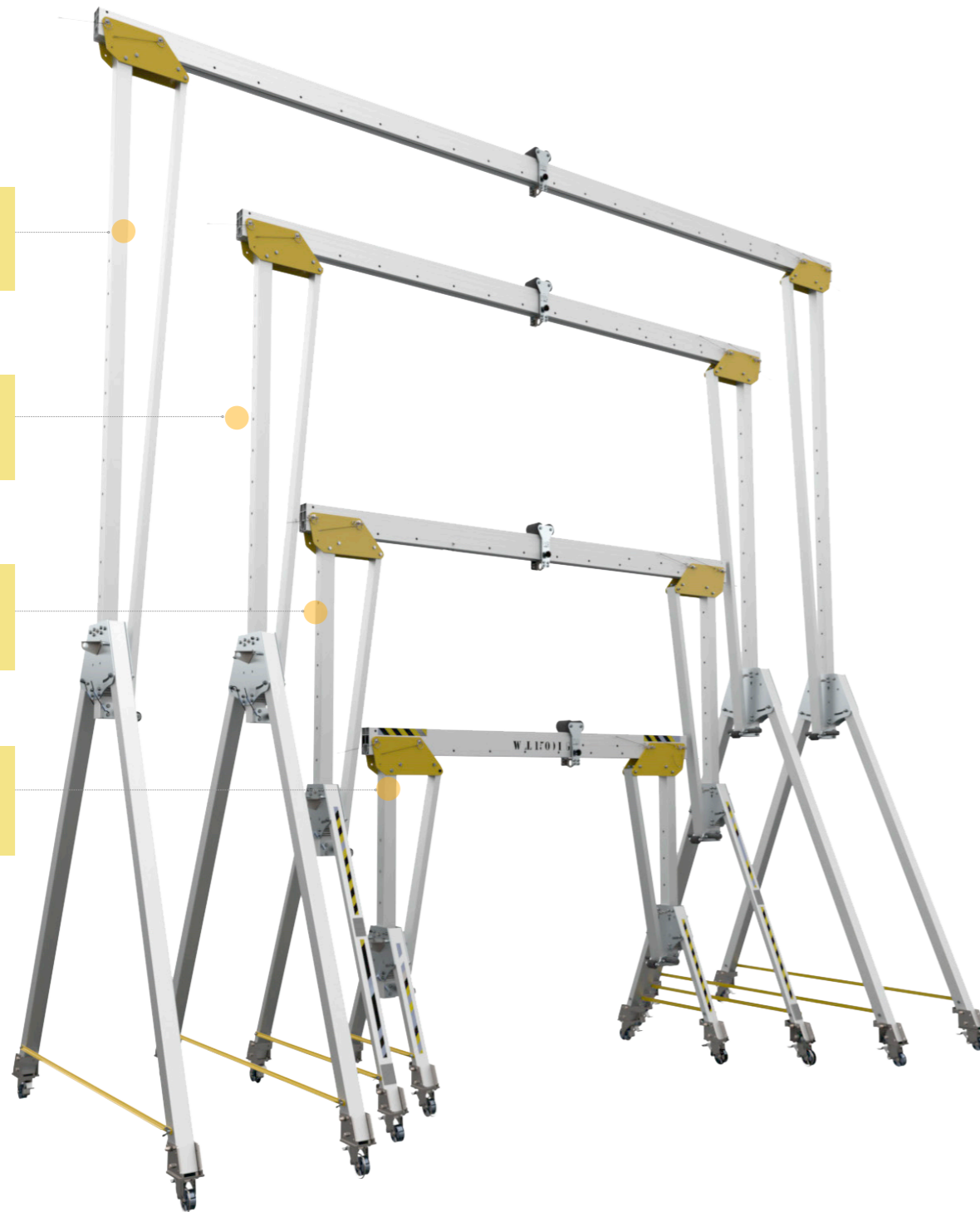
Beam Type / Frame Type	LSB200 200 cm	LSB250 250 cm	LSB300 300 cm	LSB350 350 cm	LSB400 400 cm	LSB500 500 cm	LSB600 600 cm	LSB700 700 cm
Frame G2	0,50	0,50	0,50	0,50	0,50	0,50	0,50	0,50
Frame G1	1,75	1,50	1,50	1,25	1,25	1,00	0,75	0,50
Frame F1	1,75	1,50	1,50	1,25	1,25	1,00	0,75	0,50
Frame E1	2,00	1,50	1,50	1,25	1,25	1,00	0,75	0,50

G2
4,2 - 6,4 m

G1
3,2 - 5,4 m

F1
2,2 - 3,6 m

E1
1,6 - 2,2 m



FRAMES TYPE	WORKING HEIGHT UNDER THE FRAME [H]	WEIGHT ONE FRAME	WEIGHT OF THE SET (2 PIECES)
Frame G2	4,23 m - 6,43 m	68,8 kg	137,6 kg
Frame G1	3,23 m - 5,43 m	124,0 kg	62,0 kg
Frame F1	2,20 m - 3,60 m	90,0 kg	45,0 kg
Frame E1	1,60 m - 2,20 m	68,0 kg	34,0 kg

The complete crane consists of a beam and a set of frames (2 pieces).

STANDARD EQUIPMENT

HANDLE HOIST

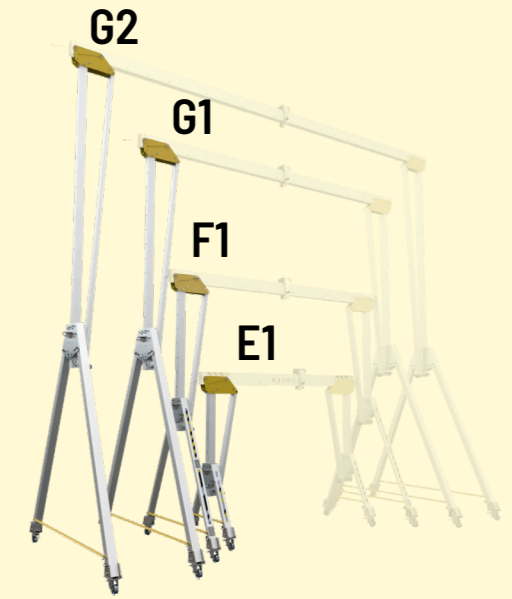


ASB500-140

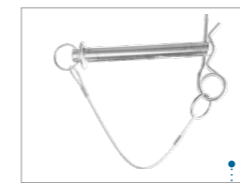
WHEELS TYPE W1



Ø 160
rubber + galvanized steel



LOCKING OF THE VERTICAL PROFILE WITH 16 MM PIN WITH COTTER



ASB500-130

Height adjustment holes of the vertical profile of the cranes of all series (5 degrees every 200 mm)

200 mm

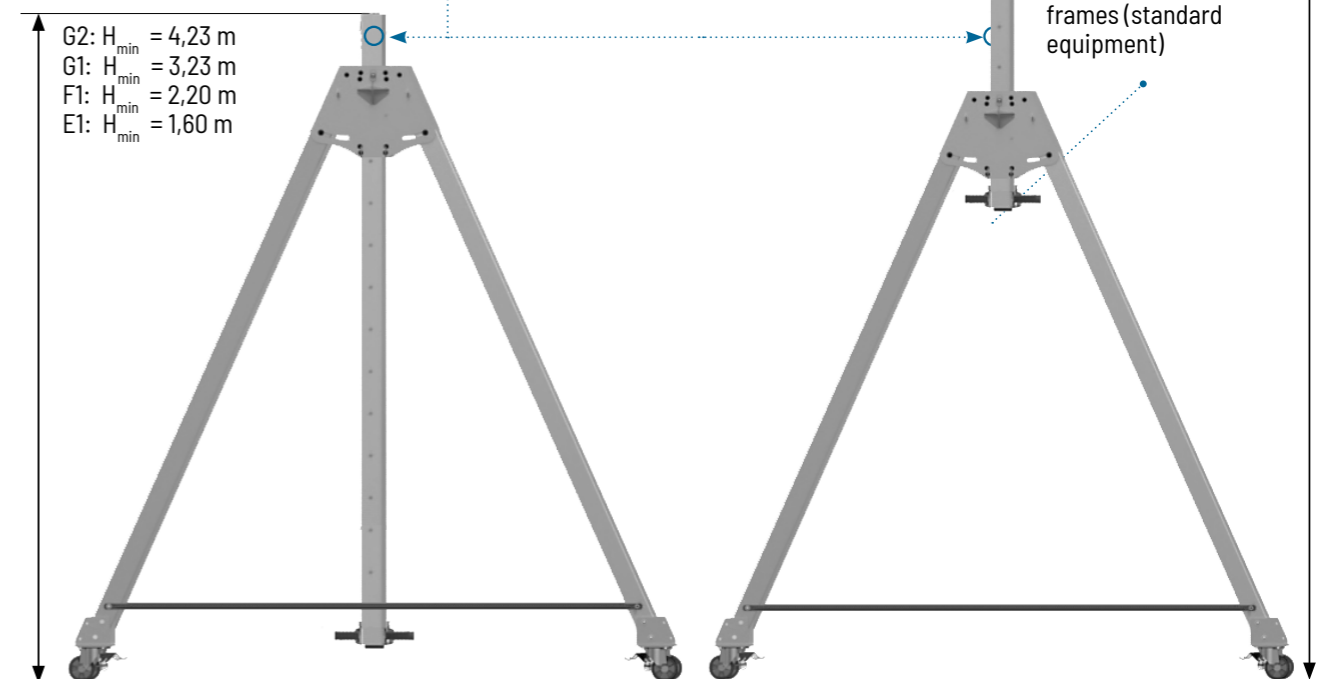
Maximum height of frames

G2: $H_{max} = 6,43$ m
G1: $H_{max} = 5,43$ m
F1: $H_{max} = 3,60$ m
E1: $H_{max} = 2,20$ m

Minimum height of frames

G2: $H_{min} = 4,23$ m
G1: $H_{min} = 3,23$ m
F1: $H_{min} = 2,20$ m
E1: $H_{min} = 1,60$ m

Transport rollers make it easier to transport the frames (standard equipment)

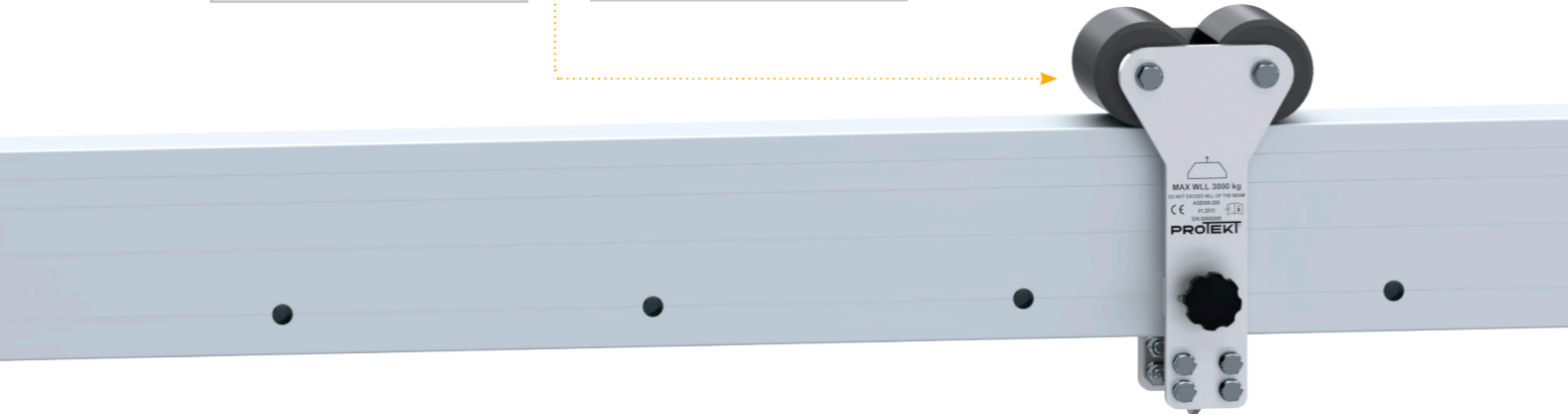


CARGO EXTERNAL TROLLEYS

Trolley type ASB-T1
ASB500-200



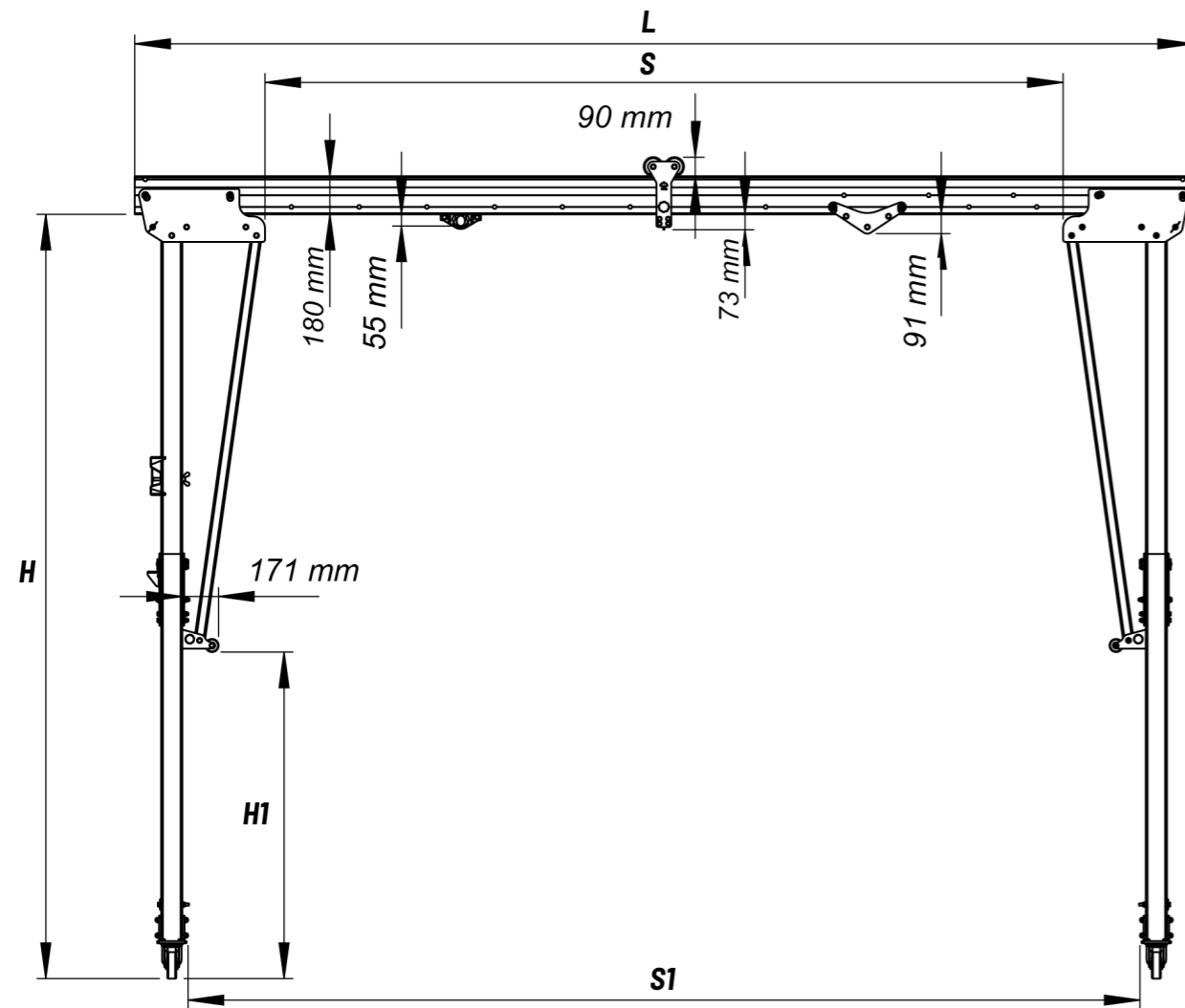
Trolley type ASB-T2
ASB500-270



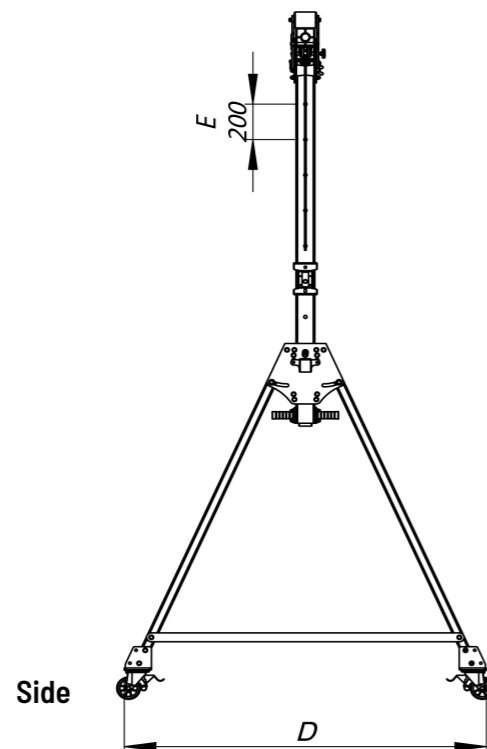
PARAMETERS OF AVAILABLE BEAMS:

	WEIGHT	LENGTH
LSB200	13,2 kg	2,0 m
LSB250	16,5 kg	3,5 m
LSB300	19,7 kg	3,0 m
LSB350	23,0 kg	3,5 m
LSB400	26,3 kg	4,0 m
LSB500	32,8 kg	5,0 m
LSB600	39,4 kg	6,0 m
LSB700	46,0 kg	7,0 m





Front

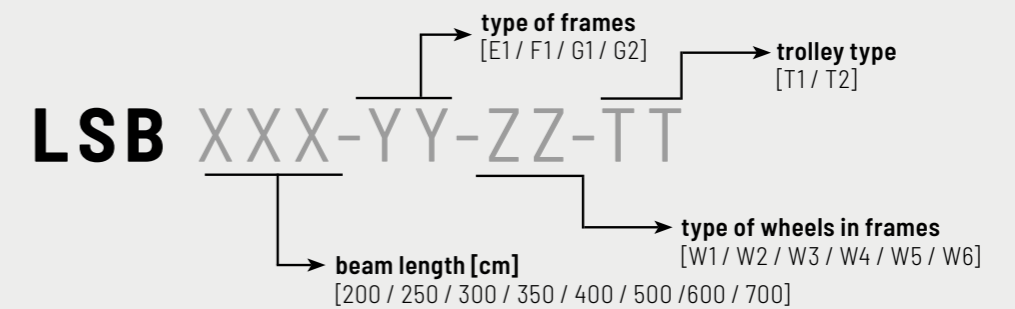


Side

Beam length "L" [cm]	200	250	300	350	400	500	600	700
Beam weight [kg]	13,2	16,5	19,7	23,0	26,3	32,8	39,4	46,0
Beam working range "S" [cm]	77,0	127,0	177,0	227,0	277,0	377,0	477,0	577,0
Working range of frames "S1" [cm]	149,6	199,6	249,6	299,6	349,6	449,6	549,6	649,6
Frame G2	WLL [T]	0,50	0,50	0,50	0,50	0,50	0,50	0,50
	Weight of the gantry [kg]	167	170	174	177	180	187	200
Frame G1	WLL [T]	1,75	1,50	1,50	1,25	1,25	1,00	0,75
	Weight of the gantry [kg]	155	158	162	165	169	175	182
Frame F1	WLL [T]	1,75	1,50	1,50	1,25	1,25	1,00	0,75
	Weight of the gantry [kg]	122	125	129	131	135	142	155
Frame E1	WLL [T]	2,00	1,50	1,50	1,25	1,25	1,00	0,75
	Weight of the gantry [kg]	98	101	105	108	111	118	131

	Frame weight [kg]	"H" - Working height (min... max) [cm]	"H1" - Height under the roll (min... max) [cm]	"D" - Leg spacing [cm]	"E" - Adjustment working height [cm]
Frame G2	68,8	423,0 - 643,0	164,0 - 236,4	283,4	20
Frame G1	62	323,0 - 543,0	164,0 - 236,4	283,4	20
Frame F1	45	220,7 - 360,7	141,0 - 154,1	192,8	20
Frame E1	34	159,4 - 219,4	34,0 - 63,4	115,0	20

LSB PART NUMBER



EXAMPLE: LSB500-G1-W2-T2
5-meter beam with G1 frames equipped with W2 wheels and T2 trolley

CARGO EXTERNAL TROLLEYS

Trolley type ASB-T1
ASB500-200



Trolley type ASB-T2
ASB500-270

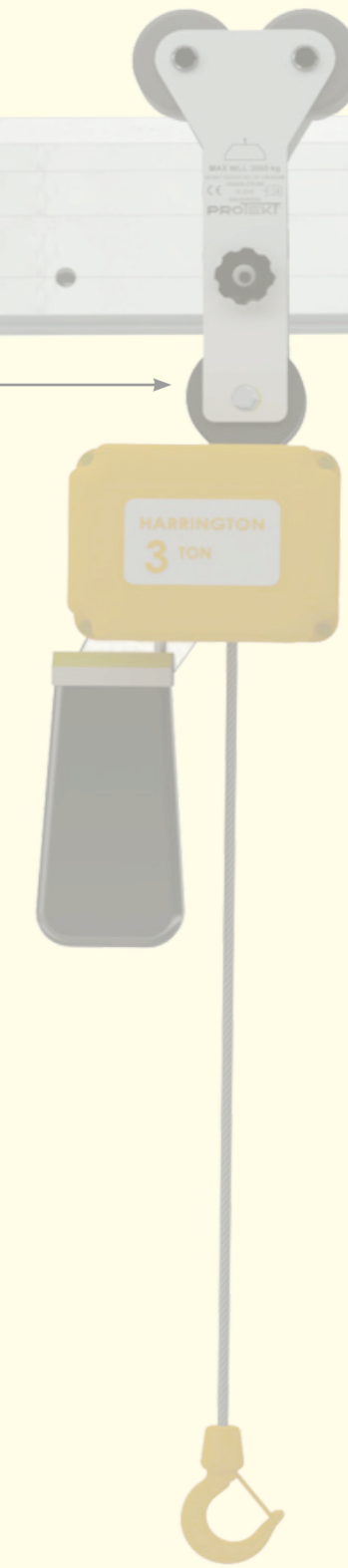
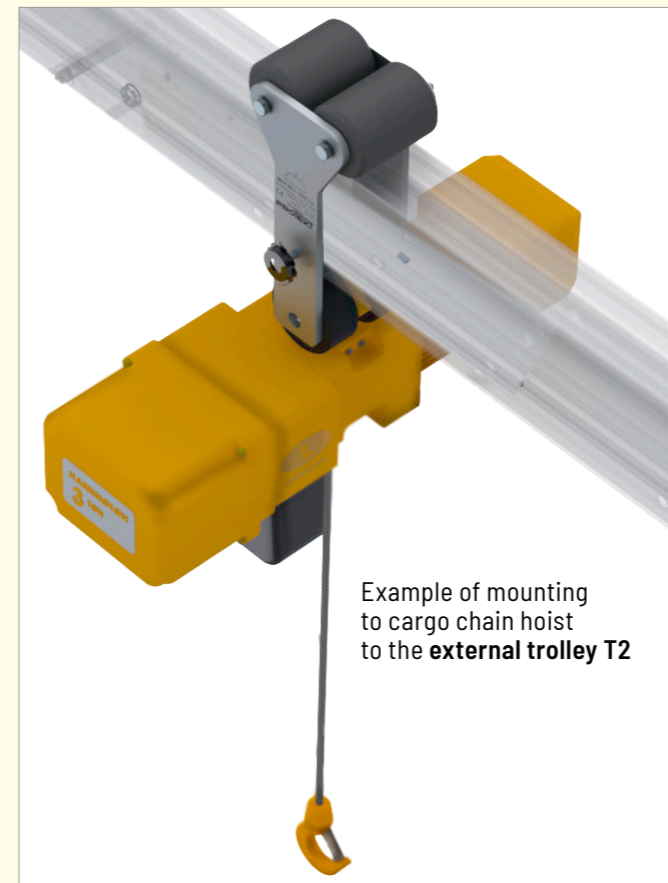


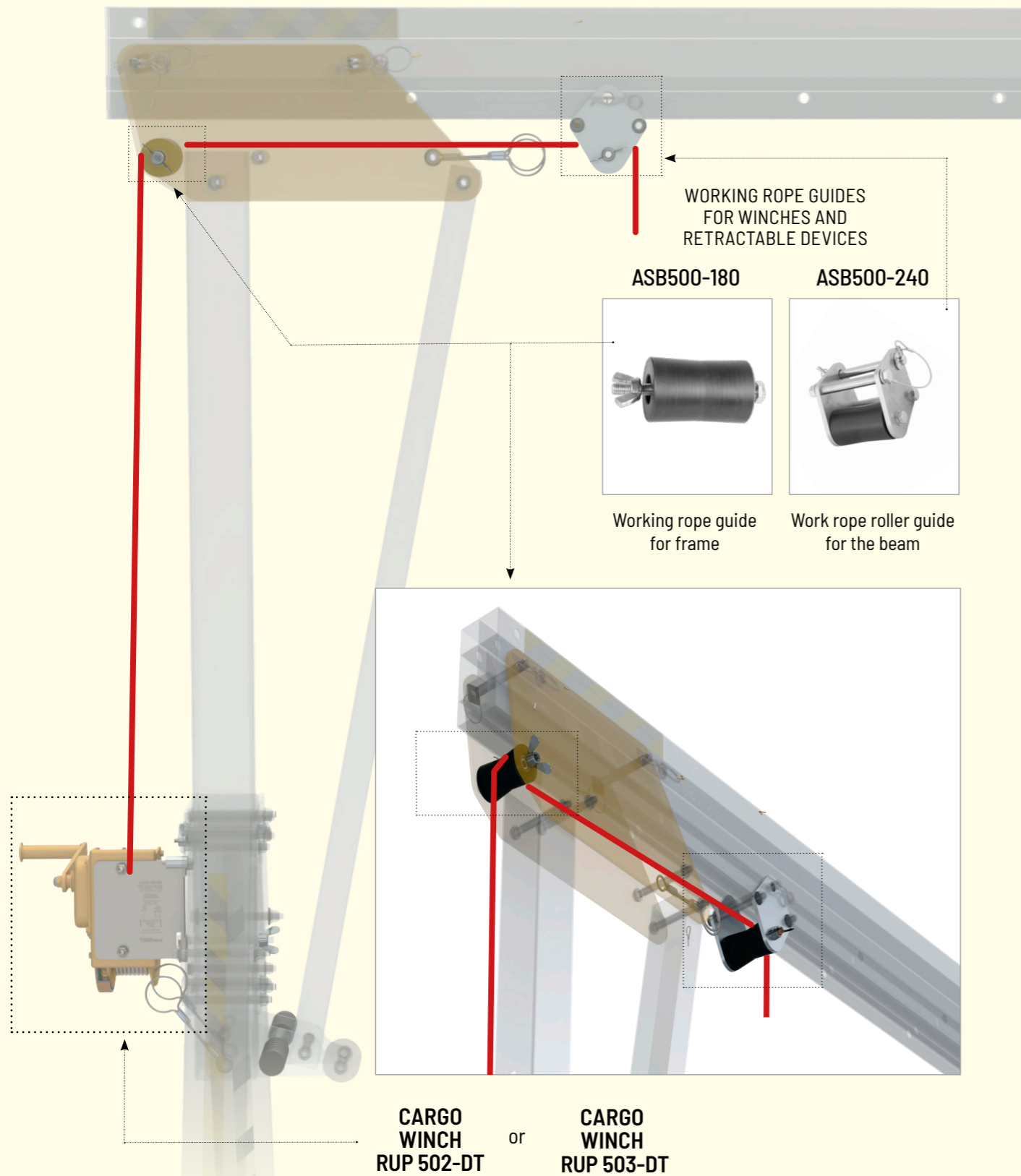
CARGO EXTERNAL TROLLEYS

Trolley type ASB-T1
ASB500-200



Trolley type ASB-T2
ASB500-270



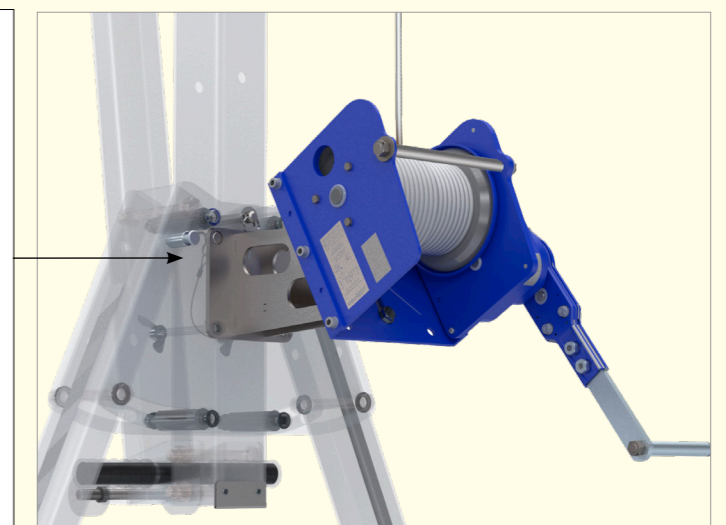
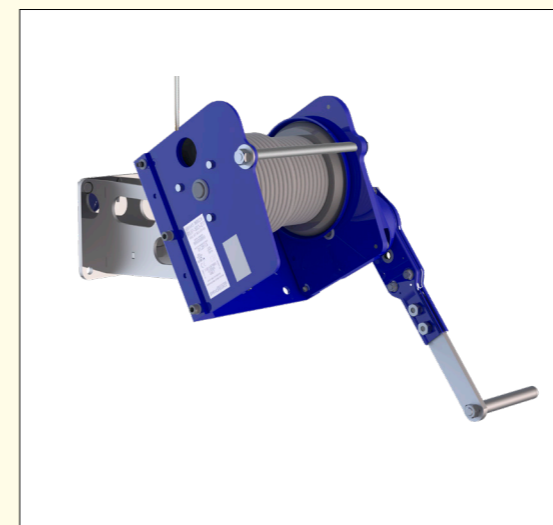


CARGO HOIST RUP 502-DT WITH 25 M ROPE
DESIGNED FOR LIFTING LOADS OF UP TO 500 KG
MOUNTING THE TO THE MAIN BASE FRAME

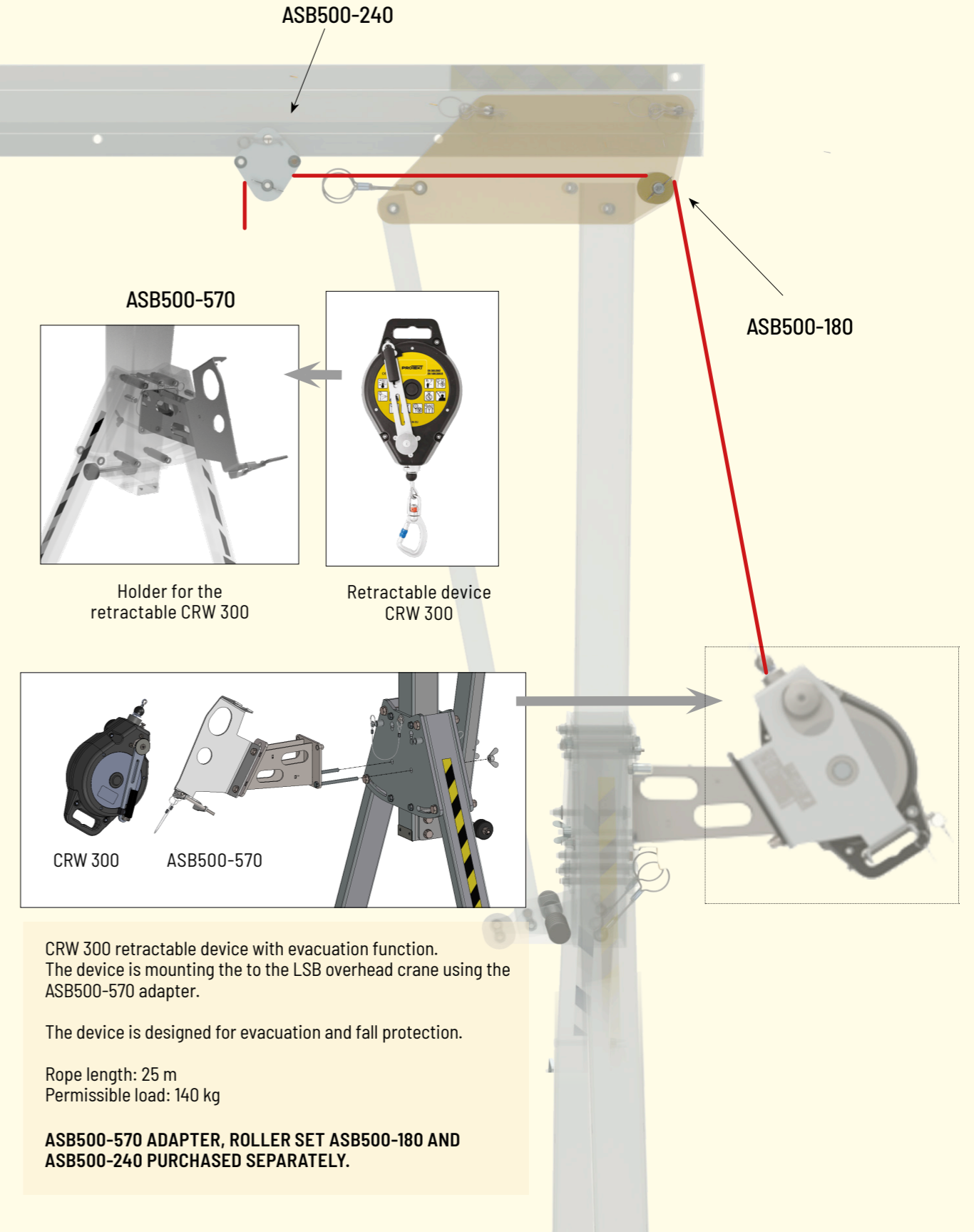
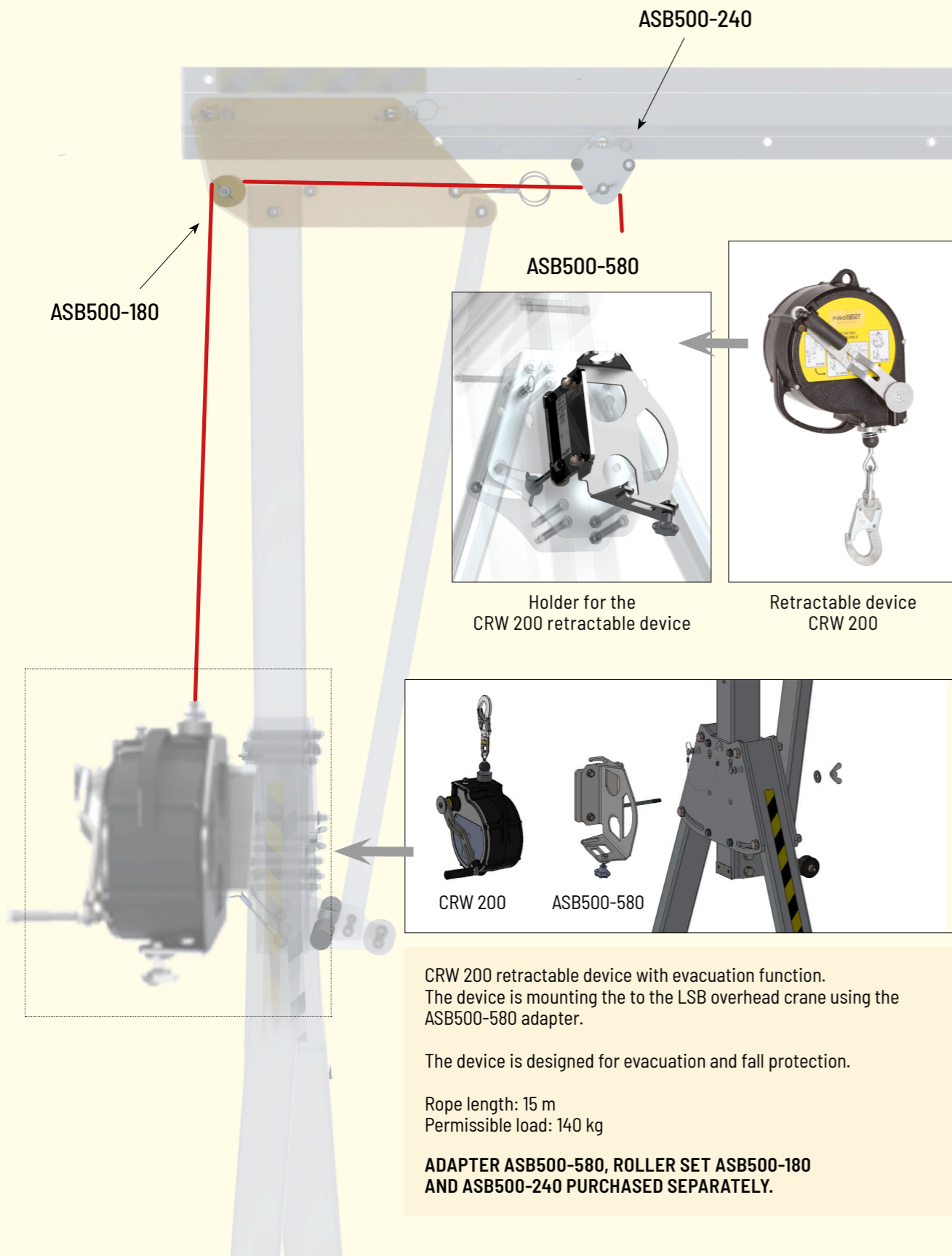


CARGO WINCH RUP 502-DT

CARGO HOIST RUP 503-DT
WITH 50 M ROPE DESIGNED FOR LIFTING LOADS UP TO 1000 KG



CARGO WINCH RUP 503-DT





	W1	W2	W3	W4	W5	W6
PURPOSE						
Indoor	✓	✓	✓	✓	✓	✓
For clean areas			✓		✓	✓
Outside						
TYPE OF SURFACE						
Smooth floor (concrete, resin)	✓	✓	✓			
Hardened surface (stone, concrete, bituminous)				✓	✓	✓
Ground surface (gravel, stones, soil)						
ADDITIONAL OPTION						
Brake	✓	✓	✓	✓	✓	✓
Position lock (movement under load)				✓	✓	✓
RECOMMENDED	LSB	ASB BAS	-	-	-	-
COMPATIBLE	ASB LSB	ASB LSB BAS	ASB LSB	ASB LSB BAS	ASB LSB BAS	ASB LSB BAS HSB

Wheel type	Diameter (mm)	Maximum load (kg)	Compatible with cranes	Destination	Types of surfaces	Additional functions
W1	160	1000	ASB, LSB	Inside (production hall)	Smooth floor (concrete, resin)	Brake
W2	200	2000	ASB , LSB, BAS	Inside (production hall)	Smooth floor (concrete, resin)	Brake
W3	160	1000	ASB, LSB	Inside (production hall) To clean zones	Smooth floor (concrete, resin)	Brake
W4	200	3000	ASB, LSB, BAS	Inside (production hall)	Hardened surface (paving stone, concrete, bituminous surface)	Brake Blockade position
W5	200	2000	ASB, LSB, BAS	Inside (production hall) To clean zones	Hardened surface (paving stone, concrete, bituminous surface)	Brake Blockade position
W6	250	5000	ASB, LSB, BAS, HSB	Inside (production hall) To clean zones	Hardened surface (paving stone, concrete, bituminous surface)	Brake Blockade position

W1



Set of wheels (4 pieces) with a diameter of 160 mm. Wheels made of galvanized steel with rubber coating with a load capacity of up to 1000 kg. The wheel is equipped with a brake.

PURPOSE:
a) production hall (general purpose)
b) indoor

TYPE OF SURFACE:
smooth floor (concrete/resin)

Wheels recommended for overhead cranes: LSB
Wheels compatible with overhead cranes: ASB / LSB
ref. no. ASB100-010

TECHNICAL SPECIFICATIONS:

Weight: 12.8 kg
Size: 160 mm
Height: 197 mm
DOR: 1,000 kg
Material: rubber, galvanized steel
Finish: zinc framed



W4



Set of wheels (4 pieces) with a diameter of 200 mm. Wheels made of cast iron with polyurethane coating with a load of up to 3000 kg. The wheel has a wheel rotation lock and a brake.

Wheels compatible with overhead cranes: ASB / LSB / BAS

INTENDED USE:
a) production hall (general purpose)
b) sliding under load

TYPE OF SURFACE:
a) smooth floor (concrete/resin)
b) hardened surface
(paving stone / concrete / bituminous surface)

ref. no. ASB100-040

TECHNICAL SPECIFICATIONS:

Weight: 40.4 kg
Size: 200 mm
Height: 260 mm
DOR: 3,000 kg
Material: polyurethane, cast iron, galvanized steel
Finish: zinc framed



W2



Set of wheels (4 pieces) with a diameter of 200 mm. Wheels made of galvanized steel with rubber coating with a load of up to 2000 kg. The wheel is equipped with a brake.

PURPOSE:
a) production hall (general purpose)
b) indoor

TYPE OF SURFACE:
smooth floor (concrete/resin)

Wheels recommended for overhead cranes: ASB / BAS
Wheels compatible with overhead cranes: ASB / LSB / BAS

ref. no. ASB100-020

TECHNICAL SPECIFICATIONS:

Weight: 16.4 kg
Size: 200 mm
Height: 234 mm
DOR: 2,000 kg
Material: rubber, galvanized steel
Finish: zinc framed



W5



A set of wheels (4 pieces) with a diameter of 200 mm. Wheels made of aluminum with polyurethane coating. Wheels equipped with 92 Shore A hard tread. The wheel has a rotation lock and a brake. Load limit 2000 kg. Wheels compatible with cranes: ASB / LSB / BAS

PURPOSE:
a) production hall (general purpose)
b) for clean areas
c) sliding under load

TYPE OF SURFACE:
a) smooth floor (concrete/resin)
b) hardened surface
(paving stone / concrete / bituminous surface)

ref. no. ASB100-050

TECHNICAL SPECIFICATIONS:

Weight: 22.8 kg
Size: 200 mm
Height: 252 mm
DOR: 2,000 kg
Material: rubber, aluminum
Finish: galvanized



W3



A set of wheels (4 pieces) with a diameter of 160 mm. Wheels made of made of aluminum with polyurethane coating with a load capacity of up to 1000 kg. Wheel brake.

Wheels compatible with overhead cranes: ASB / LSB

PURPOSE:
a) for clean areas
b) inside

TYPE OF SURFACE:
smooth floor (concrete/resin)

ref. no. ASB100-030

TECHNICAL SPECIFICATIONS:

Weight: 13.2 kg
Size: 160 mm
Height: 197 mm
DOR: 1,000 kg
Material: polyurethane, aluminum, galvanized steel
Finish: zinc framed



W6



Set of wheels (4 pieces) with a diameter of 250 mm. Wheels made of cast iron with polyurethane coating. Load capacity up to 5000 kg. The wheel has a wheel rotation lock and a brake.

Wheels compatible with overhead cranes: ASB / LSB / BAS / HSB.

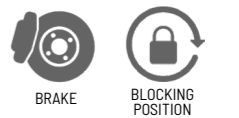
INTENDED USE:
a) production hall (general purpose)
b) inside
c) moving under load

TYPE OF SURFACE:
a) smooth floor (concrete/resin)
b) hardened surface
(paving stone / concrete / bituminous surface)

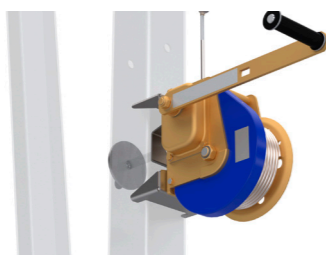
ref. no. ASB100-060

TECHNICAL SPECIFICATIONS:

Weight: 47.12 kg
Size: 250 mm
Height: 305 mm
DOR: 5,000 kg
Material: polyurethane, cast iron, galvanized steel
Finish: galvanized



RUP 502-CT
Winch (cargo)



RUP 502-CT cargo winch with a 25 m rope, designed for lifting loads up to 500 kg, mounting to the vertical profile of the frame.

RUP 502-DT
Winch (cargo)



RUP 502-DT cargo winch with a 25 m rope, designed for lifting loads up to 500 kg, mounting to frame side.

CRW 200
Retractable device



The CRW 200 is a combination of a retractable device and a rescue lifting device. The housing is made of aluminum alloy. The CRW 200 device has a manual winch with a lifting and lowering function with a galvanized steel cable.

CRW 300
Retractable device



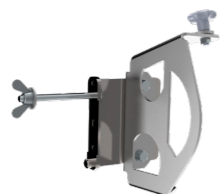
The CRW 300 is a combination of a retractable device and a rescue lifting device. The housing is made of aluminum alloy. The device has a retractable galvanized steel cable. CRW 300 has a manual winch with a lifting and lowering function, it can be used alone or with selected tripods.

ASB500-570
Holder for the CRW 300 device



A holder for attaching the CRW 300 retractable device to frame side.

ASB500-580
Holder for the CRW 200 device



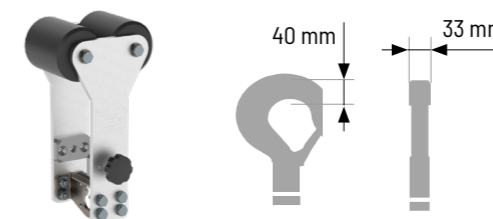
A holder for attaching the CRW 200 retractable device to the frame.

ASB500-280
Internal personell trolley



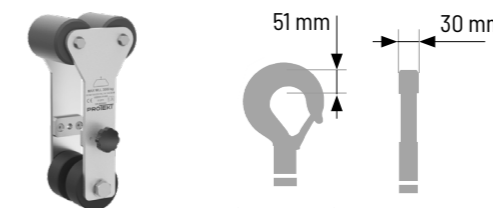
Made of galvanized steel and stainless steel. Space saving - hitch eye only 55 mm below the beam. Locking position using pins with cotters. The inner trolley is intended only for the protection of persons.

ASB500-200
Cargo trolley external



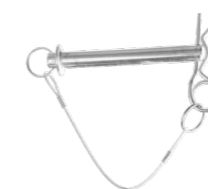
Made of durable alloy aluminum, stainless steel and polyamide. The trolley can be locked in any position along the beam using a knob. Space for a 40 mm / 33 mm winch hook. The external trolley is intended only for lifting loads.

ASB500-270
Cargo trolley external



Made of durable alloy aluminum, stainless steel and polyamide. The trolley can be locked in any position along the beam using a knob. Space for a 51 mm / 30 mm winch hook. The external trolley is intended only for lifting loads.

ASB500-130
Pin with 16 mm cotter



Made of galvanized steel. Used for:
- locking the position of the vertical frame profile (one for one frame),
- locking the position of the inner trolley along the beam (two for one inner trolley),
- installing the roller to the beam

ASB000-A03
Webbing hoist



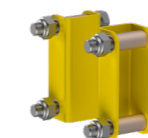
The webbing hoist mounting to the side frame sheet using 2 screws makes it easier to adjust the height of the crane.

ASB500-360
Hook for lifting the frame



Made of aluminum / galvanized steel. Used when installing an overhead crane, to raise and lower frames using a chain winch.

ASB500-813
Spacers for frames 40 mm



Connectors to increase the frame distance from the crane leg by 40 mm (ASB500-813).

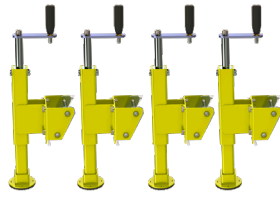
ASB500-814
Spacers for frames 80 mm



Connectors to increase the frame distance from the crane leg by 80 mm (ASB500-814).

ASB500-600

Crane stabilizer



Frames made of galvanized, powder-coated steel. They ensure leveling of the device on appropriate terrain and stability of the device during operation. Equipped with screws and wing nuts for installation on the frame leg. The device must be equipped with four wheel frames.

ASB500-240

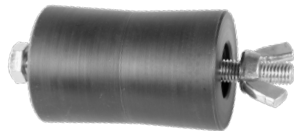
Roller guide to the beam



Roller guide for the working rope attached to the beam.

ASB500-180

Rope guide working to the frame



The guide for the winch's working rope is placed at the top of the frame.

ASB500-600

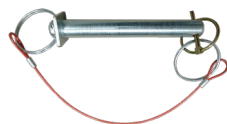
Beam transporter



Transporter used to easily transport beams over long distances, equipped with solid rubber wheels with a diameter of 200 mm. Quick attachment of the beam using a cotter.

ASB500-560

Pin 17.5 mm with cotter

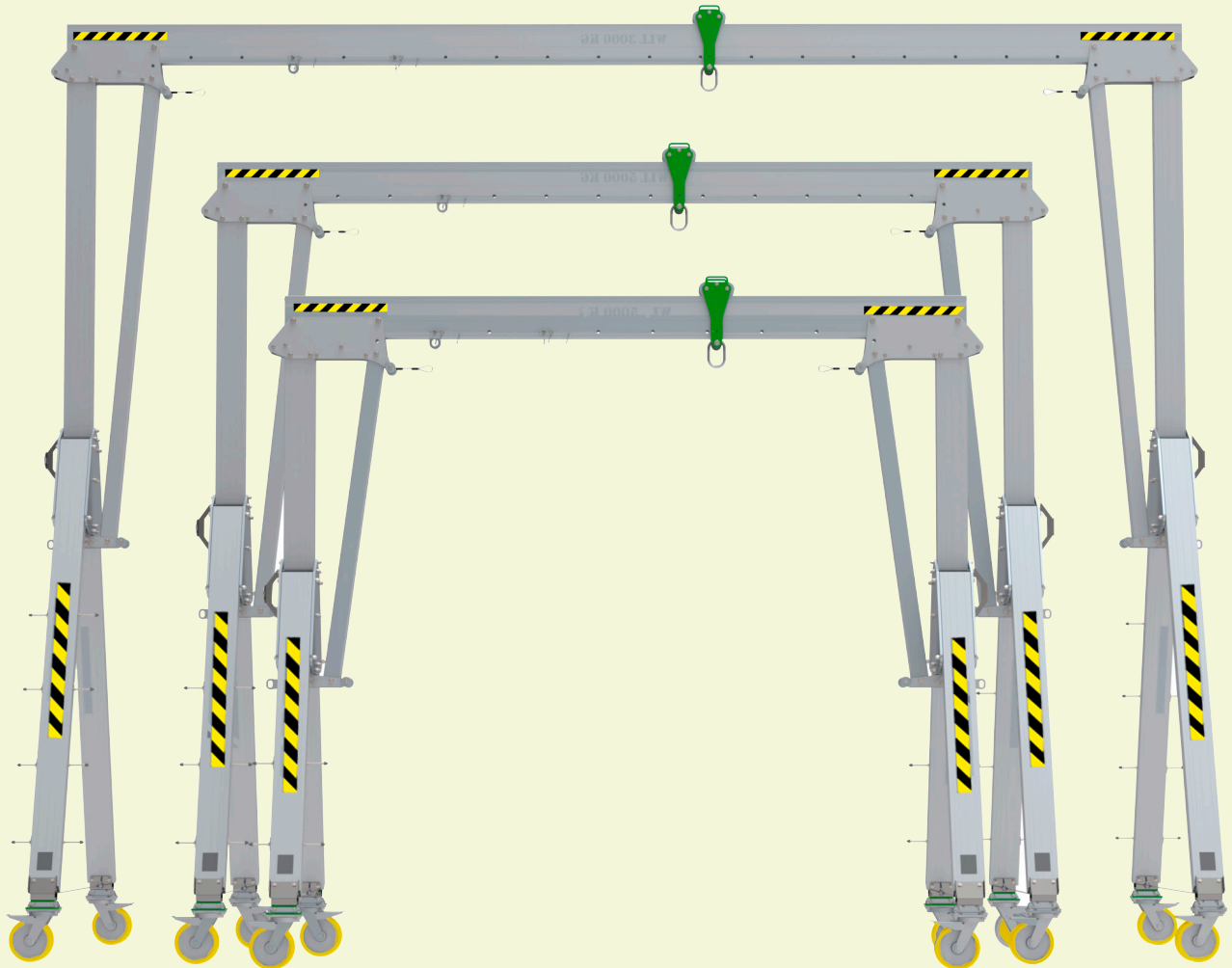


Used to connect beams with frames.

EN 13001
EN 15011
EN 795/B:2012
CEN/TS 16415/B:2013

HEAVY
GANTRY
CRANE

HSB

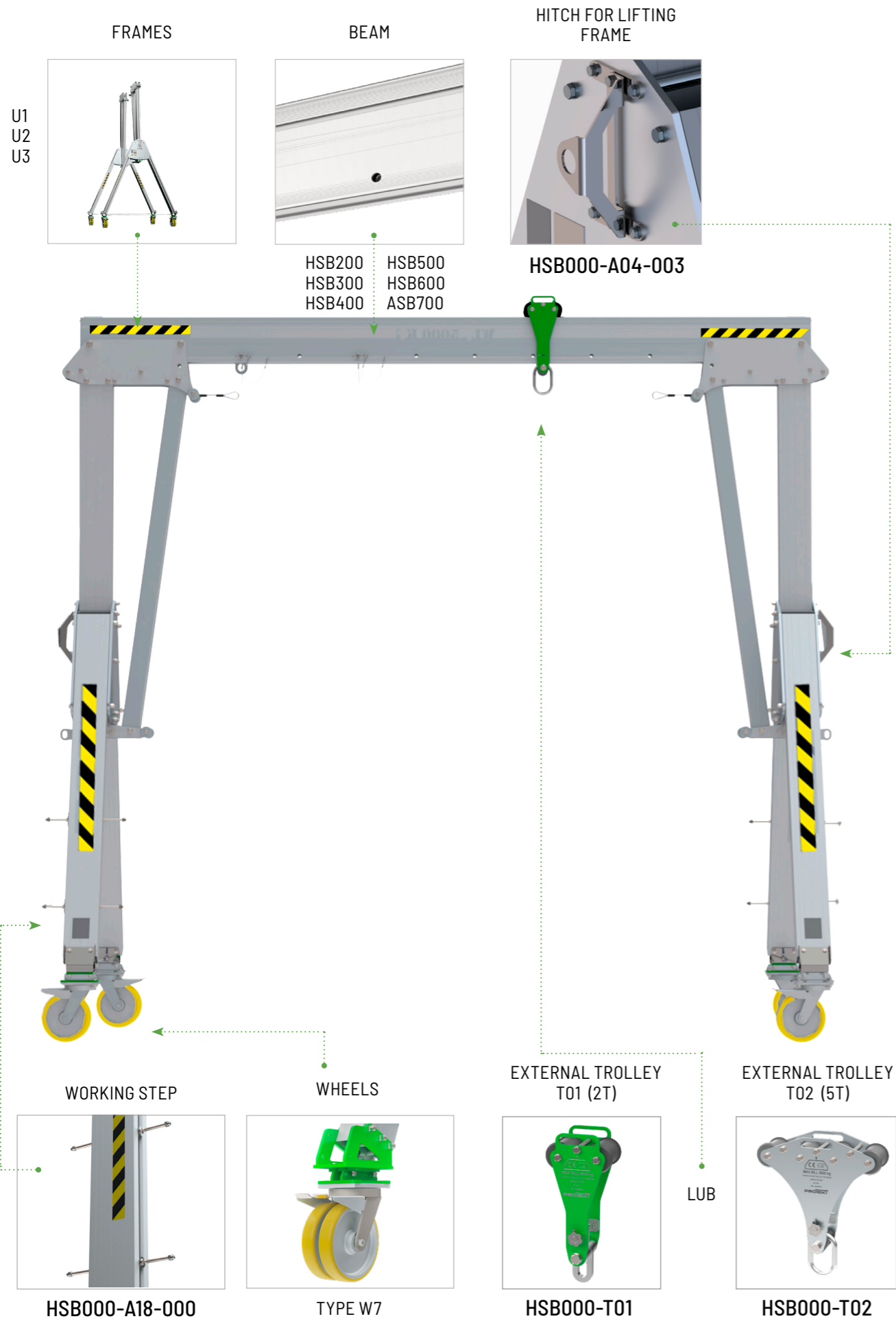


LOAD  **Maximum 5 tonnes**

PROTECTION FROM FALL FROM HEIGHT  **Maximum 5 users**

LENGTH BEAMS  **from 2 to 7 m**

WORKING HEIGHT  **from 3 to 5 m**



PERMISSIBLE WORKING LOADS [T]
(beam variant + frame type)

Beam type / Frame type	HSB200 200 cm	HSB300 300 cm	HSB400 400 cm	HSB500 500 cm	HSB600 600 cm	HSB700 700 cm
Frame U3	3,0	3,0	3,0	3,0	3,0	3,0
Frame U2	5,0	5,0	5,0	5,0	4,0	3,0
Frame U1	5,0	5,0	5,0	5,0	4,0	3,0



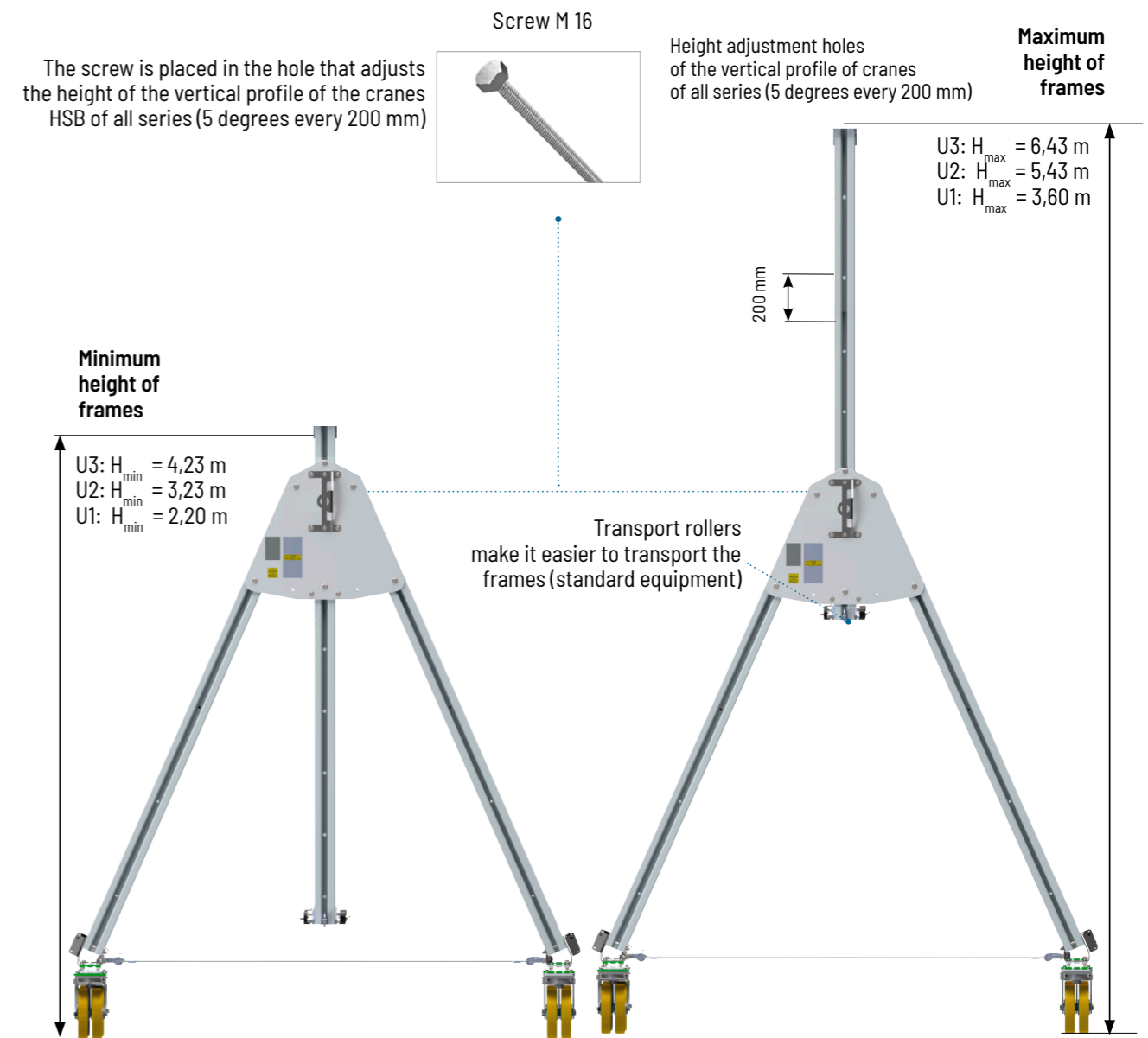
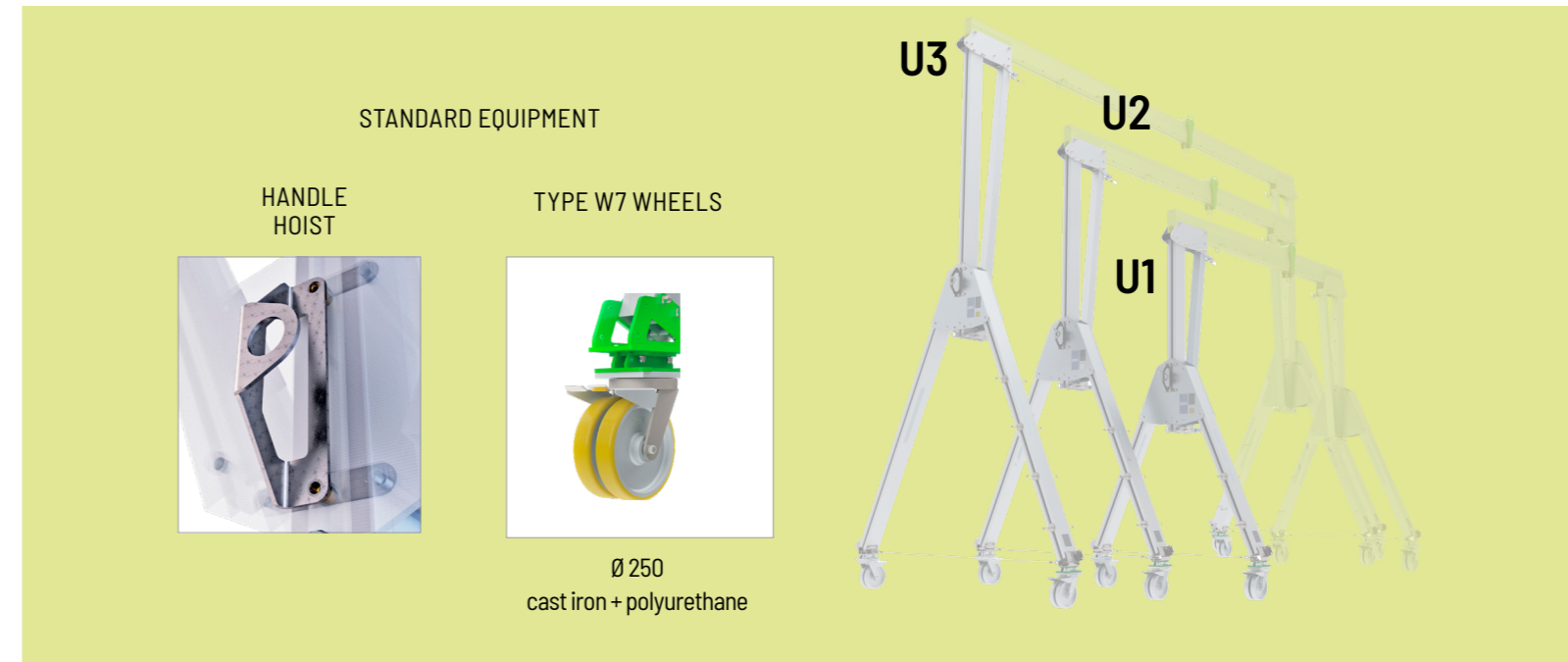
U3
3,5 - 5,6 m

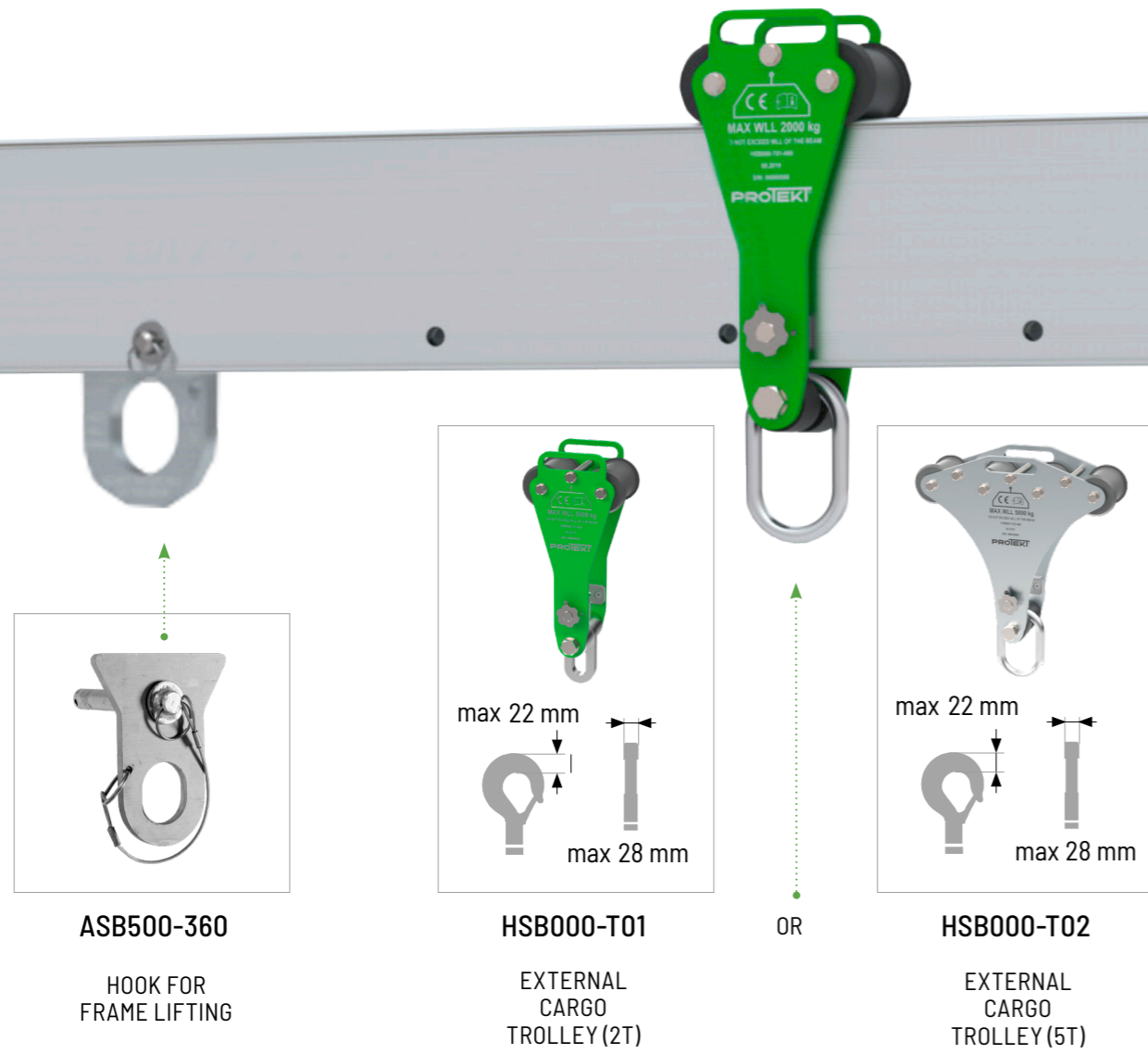
U2
3,1 - 4,6 m

U1
2,75 - 3,65 m

FRAME TYPE	WORKING HEIGHT UNDER THE FRAME [H]	WEIGHT ONE FRAME	WEIGHT OF THE SET (2 PIECES)
Frame U3	3,50 m - 5,60 m	167 kg	334 kg
Frame U2	3,10 m - 4,60 m	156 kg	312 kg
Frame U1	2,75 m - 3,65 m	144 kg	288 kg

The complete crane consists of a beam and a set of frames (2 pieces).

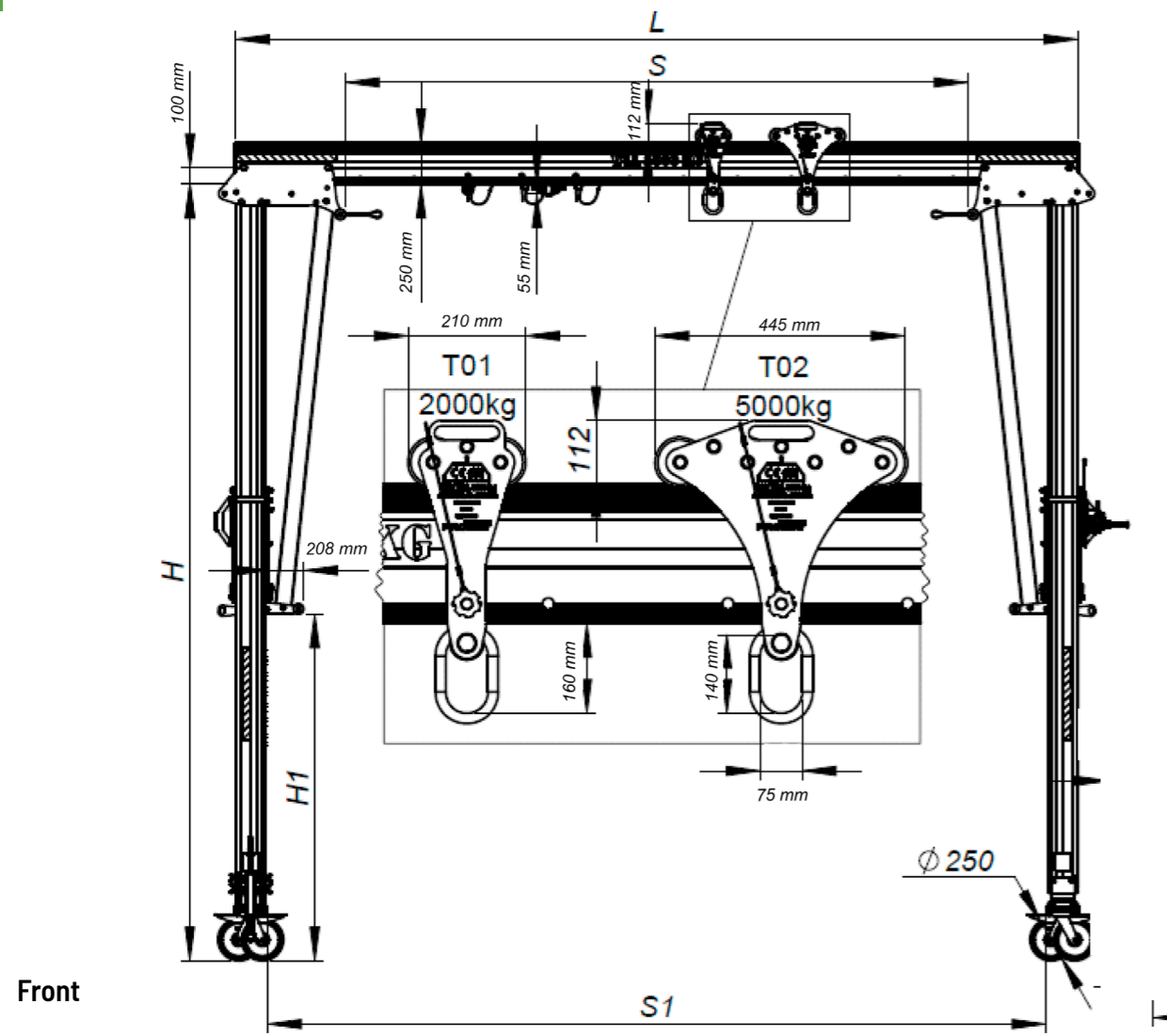




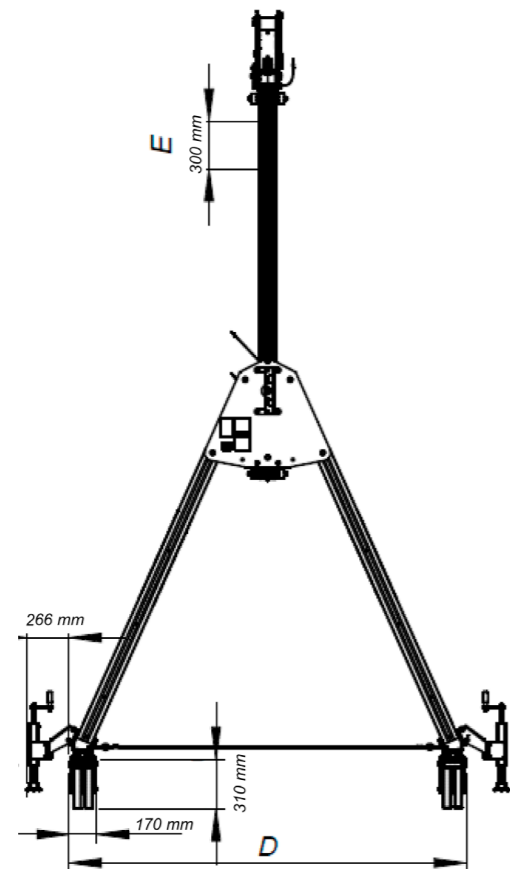
PARAMETERS OF AVAILABLE BEAMS:

	WEIGHT	LENGTH
HSB200	32 kg	2,0 m
HSB300	48 kg	3,0 m
HSB400	64 kg	4,0 m
HSB500	80 kg	5,0 m
HSB600	96 kg	6,0 m
HSB700	112 kg	7,0 m





Front

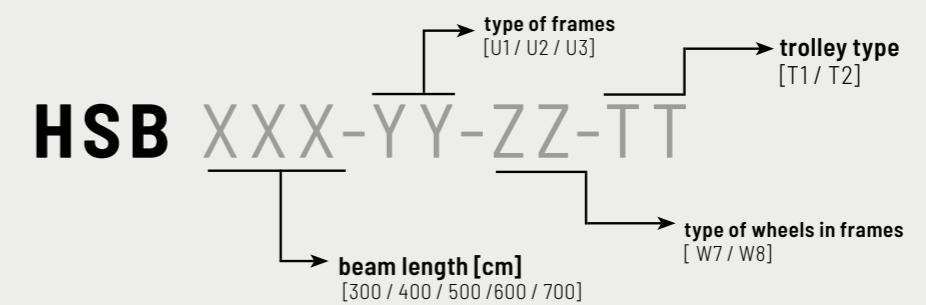


Side

Beam length "L" [cm]	200	300	400	500	600	700	
Beam weight [kg]	32	48	64	80	96	112	
Beam working range "S" [cm]	69,5	169,5	269,5	369,5	462,2	569,5	
Working range of frames "S1" [cm]	162,2	262,2	362,2	462,2	562,2	662,2	
Frame U3	WLL [T]	3	3	3	3	3	
	Total weight [kg]	371	387	403	419	435	451
Frame U2	WLL [T]	5	5	5	5	4	3
	Total weight [kg]	349	365	381	397	413	429
Frame U1	WLL [T]	5	5	5	5	4	3
	Total weight [kg]	326	342	358	374	390	406

	Frame weight [kg]	„H“ - Working height (min... max) [cm]	„H1“ - Height under the roll (min... max) [cm]	„D“ - Leg spacing [cm]	„E“ - Adjustment working height [cm]
Frame U3	167	347,1 - 557,1	251,7	287,1	30
Frame U2	156	311,4 - 461,4	206,0	247,4	30
Frame U1	144	275,7 - 365,7	160,4	205,8	30

HSB PART NUMBER



EXAMPLE: HSB500-U1-W7-T1
5-meter beam with U1 frames equipped with W7 wheels and T1 trolley.

EXTERNAL CARGO TROLLEYS

TROLLEY TYPE T1
(2 TONNES)
HSB000-T01

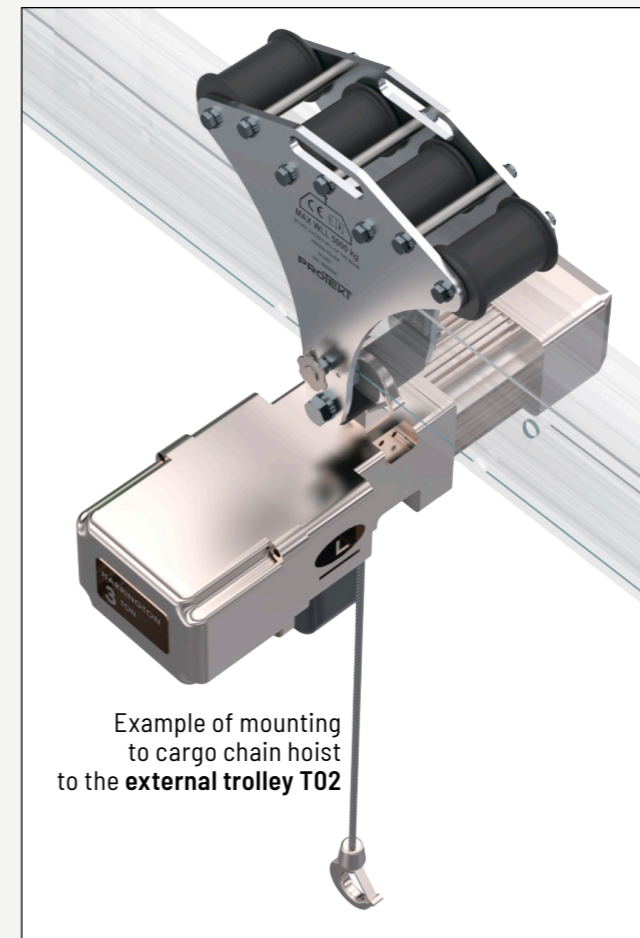
TROLLEY TYPE T2
(5 TONNES)
HSB000-T02

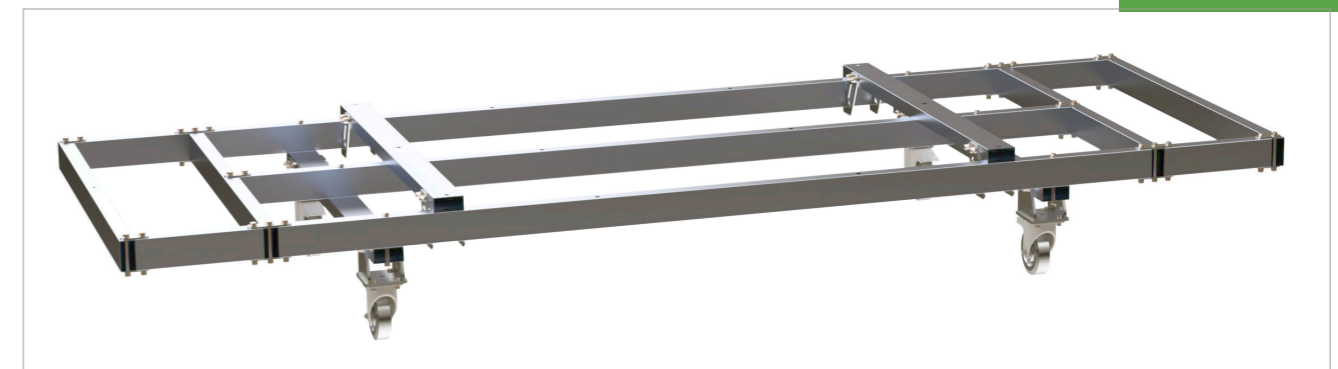
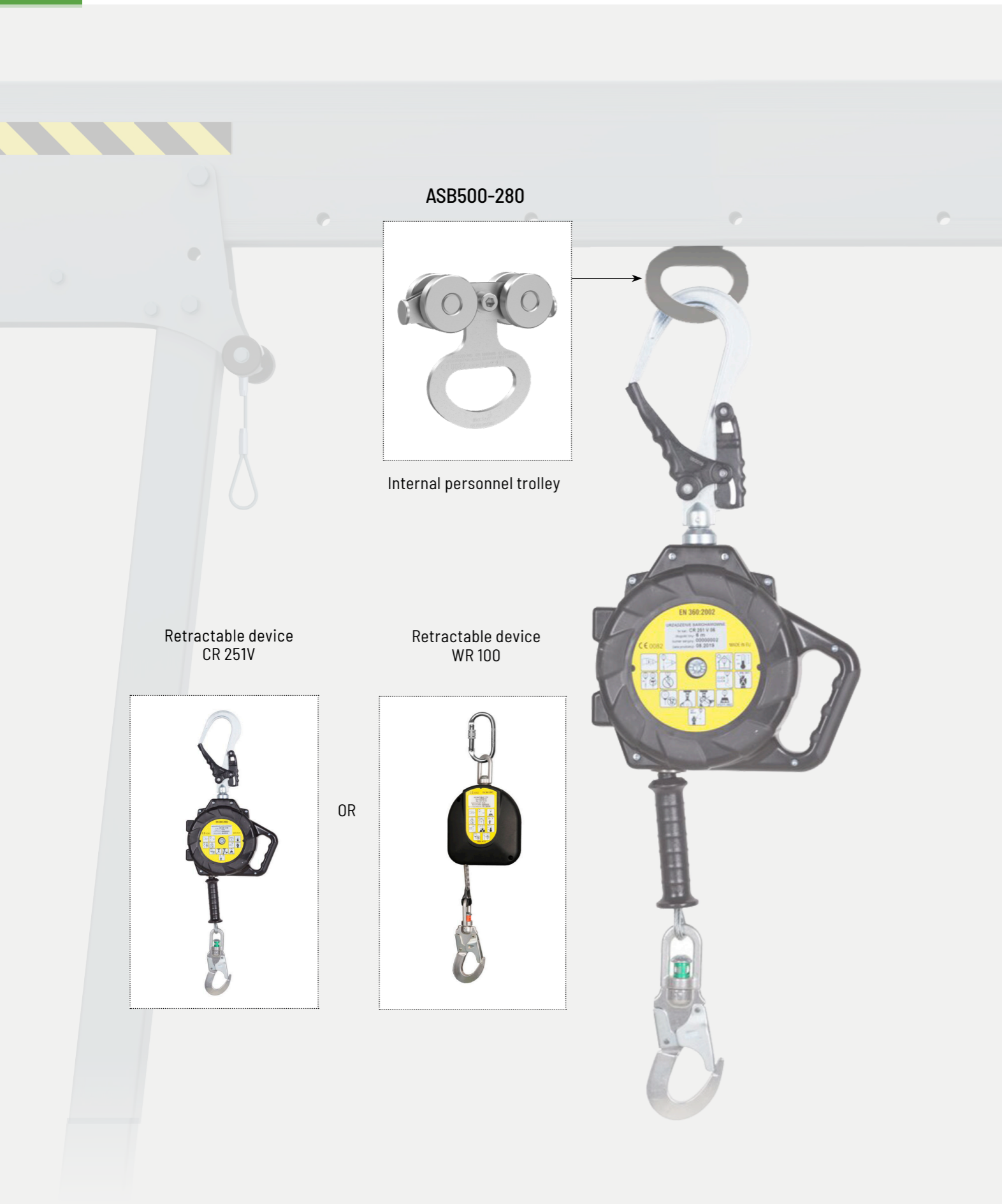


EXTERNAL CARGO TROLLEYS

TROLLEY TYPE T1
(2 TONNES)
HSB000-T01

TROLLEY TYPE T2
(5 TONNES)
HSB000-T02





2x Two frames on one carriage

Part number	Dimensions	Frames
HSB000-A09-010	3,1 m x 1,4 m	2xU1
HSB000-A09-060	3,5 m x 1,4 m	2xU2
HSB000-A09-070	4,0 m x 1,4 m	2xU3



1x One frame on one carriage

Part number	Dimensions	Frames
HSB000-A09-110	3,1 m x 1,4 m	1x U1
HSB000-A09-160	3,5 m x 1,4 m	1x U2
HSB000-A09-170	4,0 m x 1,4 m	1x U3



2x Two frames on one carriage

Part number	Dimensions	Frames
HSB000-A09-110 + HSB000-A09-180	3,1 m x 0,8 m	2xU1
HSB000-A09-160 + HSB000-A09-180	3,5 m x 0,8 m	2xU2
HSB000-A09-170 + HSB000-A09-180	4,0 m x 0,8 m	2xU3



WR 100

Retractable device



WR 100 retractable device with AZ 011 and AZ 002ASI carabiners, equipped with a 17 mm wide webbing that can be unwound. Locking mechanism in a composite housing. The device is designed for work requiring movement to the point of attachment. No need for a safety shock absorber.

CR 251 V

Retractable device



CR 251V retractable device for vertical work in a plastic housing with steel cable. Permanently installed AZ 029 hook with an opening larger than the standard hooks - 50 mm (used for attaching directly to a fixed structure). The device is designed for work requiring movement to the point of attachment. No need for a safety shock absorber.

HSB000-A11

Step



A step that is a fixed part of the frame. It allows access to winches attached to the headshaft of the frame. It is made of aluminum and stainless steel.

HSB000-T01

Cargo trolley (2T)



A cargo trolley that allows the suspension a load with a maximum weight of up to 2 tons. The trolley can be disassembled from the beam after removing the axle with bushing and hook (M20 screws).

HSB000-T02

Cargo trolley (5T)



A cargo trolley that allows the suspension of loads with a maximum weight of up to 5 tons. The trolley can be disassembled from the beam after removing the axle with bushing and hook (M20 bolts).

HSB000-A18-100

Steps for frame



A set of folding steps for all frames available as an option.

HSB000-A03

Webbing hoist



Vertical lifting module used to adjust the height of the crane. Sold separately. Consists of a metal mounting frame and a webbing hoist with hook.

W7



Tandem type wheels (double) with a diameter of 250 mm iron-polyurethane wheels in a swivel housing with a brake. The wheel has a 4x90 degree rotation lock.

INTENDED USE:

- a) production hall (general purpose)
- b) indoor

TYPE OF SURFACE:

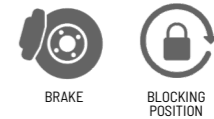
- a) smooth floor (concrete/resin)
- b) hardened surface (paving stone / concrete / bituminous surface)

Wheels recommended for overhead cranes: HSB
Wheels compatible with overhead cranes: ASB/HSB

ref. no. ASB100-070

TECHNICAL SPECIFICATIONS:

Weight: 93.2 kg
Size: 2x 250 mm
Height: 310 mm
DOR: 5,000 kg
Material: polyurethane, cast iron, galvanized steel
Finish: zinc electroFramed



W8



Set of double wheels (4 pieces) with a diameter of 460 mm. Wheels made of steel and rubber (pneumatically inflated tires) designed to move the crane over difficult terrain. Permissible load up to 2000 kg. The wheels have a wheel rotation lock and a brake.

Wheels compatible with overhead cranes: ASB/HSB (it is necessary to use wheel adaptor HSB000-A10-100)

INTENDED USE:

- a) outdoors
- b) moving under load

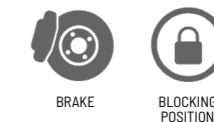
TYPE OF SURFACE:

- a) paved surface (paving stones / concrete / bituminous surface)
- b) ground surface (gravel / stones / ground)

ref. no. ASB100-080

TECHNICAL SPECIFICATIONS:

Weight: 100 kg
Size: 2x 460 mm
Height: 500 mm
DOR: 2,000 kg
Material: rubber, galvanized steel
Finish: zinc electroFramed



Wheel type	Diameter (mm)	Maximum load (kg)	Compatible with cranes	Purpose	Types of surfaces	Additional features
W7	250	5000	ASB, HSB	Inside (production hall)	Paved surface (paving stone, concrete, bituminous surface)	
W8	460	2000	ASB, HSB	Can be used outside	Paved surface (paving stone, concrete, bituminous surface)	



EN 13001
EN 15011
EN 795/B:2012
CEN/TS 16415/B:2013

COMPACT
GANTRY
CRANES

KSB
KSB-LE
FSB-LE

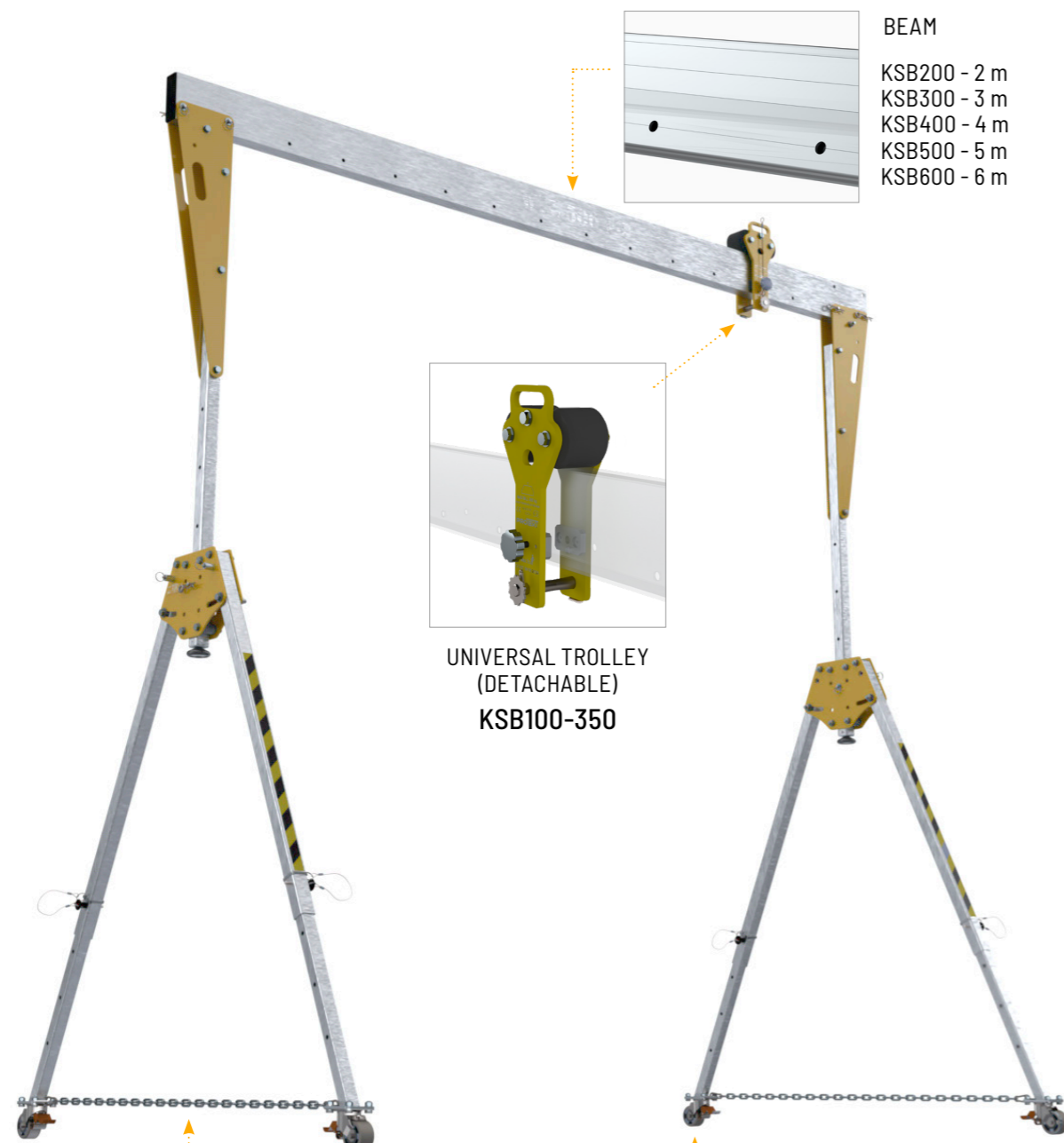


LOAD  **maximum 0,5 tonnes**

PROTECTION FROM
FALL FROM HEIGHT  **maximum 2 users**

LENGTH
BEAMS  **from 2 to 6 m**

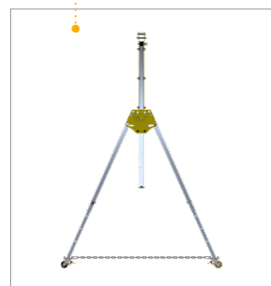
WORKING
HEIGHT  **from 1,9 to 3,1 m**



BEAM
 KSB200 - 2 m
 KSB300 - 3 m
 KSB400 - 4 m
 KSB500 - 5 m
 KSB600 - 6 m



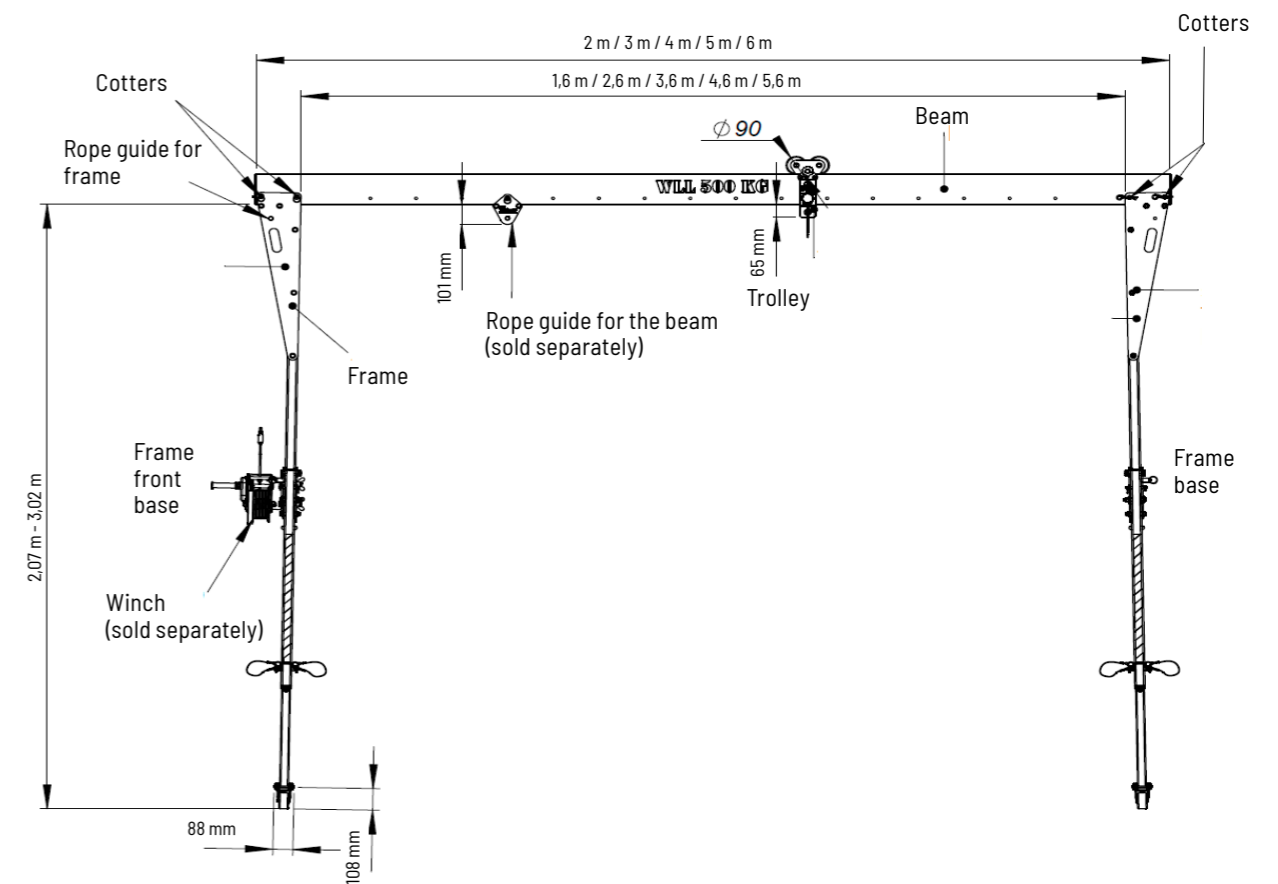
UNIVERSAL TROLLEY
 (DETACHABLE)
 KSB100-350



2 FRAMES
 regulation from
 2,1 m - 3,0 m



WHEELS W3
 KSB100-900



TECHNICAL DESCRIPTION

The KSB compact crane consists of a beam and two detachable frames attached to it with cotters and a trolley.

1. Beams

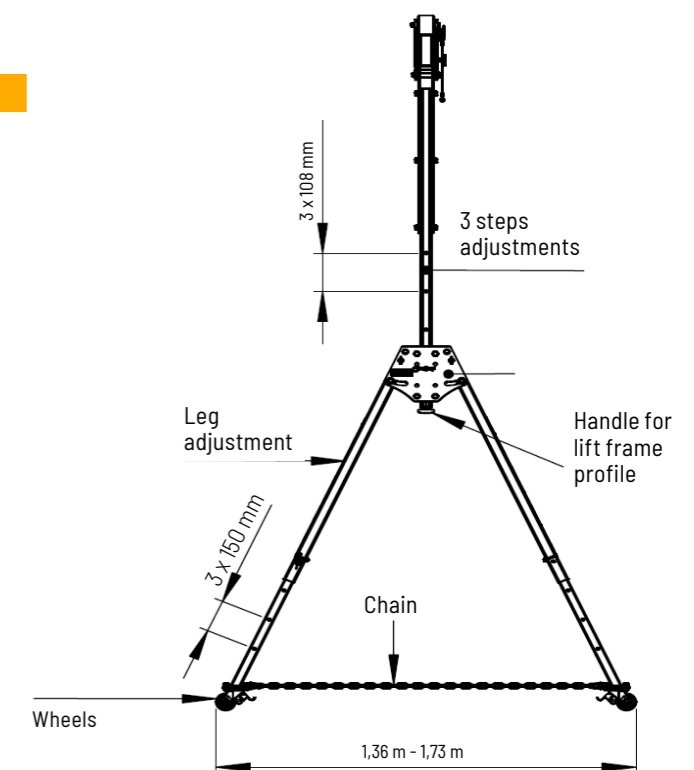
KSB 200-001 - 2 meter beam
 KSB 300-001 - 3 meter beam
 KSB 400-001 - 4 meter beam
 KSB 500-001 - 5 meter beam
 KSB 600-001 - 6 meter beam

2 Frames

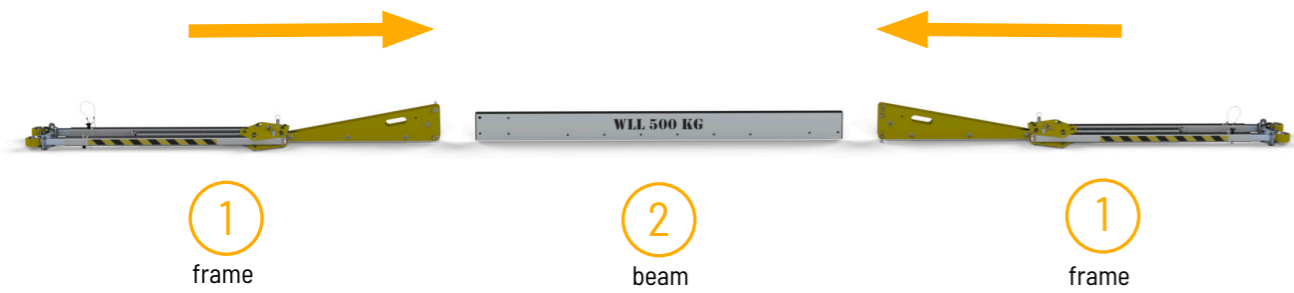
2.1 - 3.0 m, permanently connected with the beam. A set of swivel wheels is attached to the frames with a brake, with a diameter of 80 mm.

3. Trolley

ref no. KSB100-350-000
 Made of aluminum alloy, stainless steel and polyamide. The trolley can be locked by knob, positioning on the beam.



1 Parts of the crane prepared for assembly.



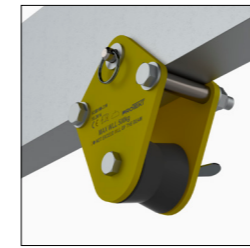
2 Extend the legs of the frame.



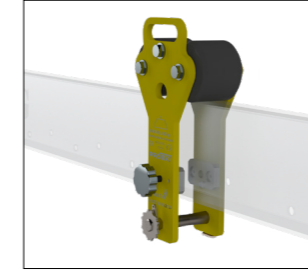
3 Place the crane legs in a vertical position and lock with cotters.



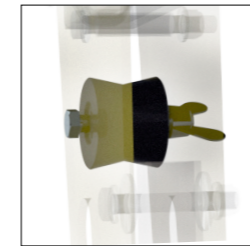
4 Installation of additional accessories



ROPE GUIDE TO THE BEAM



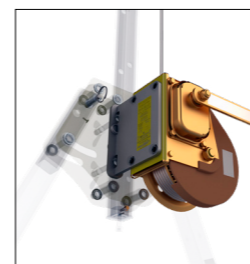
UNIVERSAL TROLLEY (DETACHABLE)



ROPE GUIDE TO FRAME



RUP 507-UT BATTERY WINCH



RESCUE WINCH



RUP 507-UT BATTERY WINCH

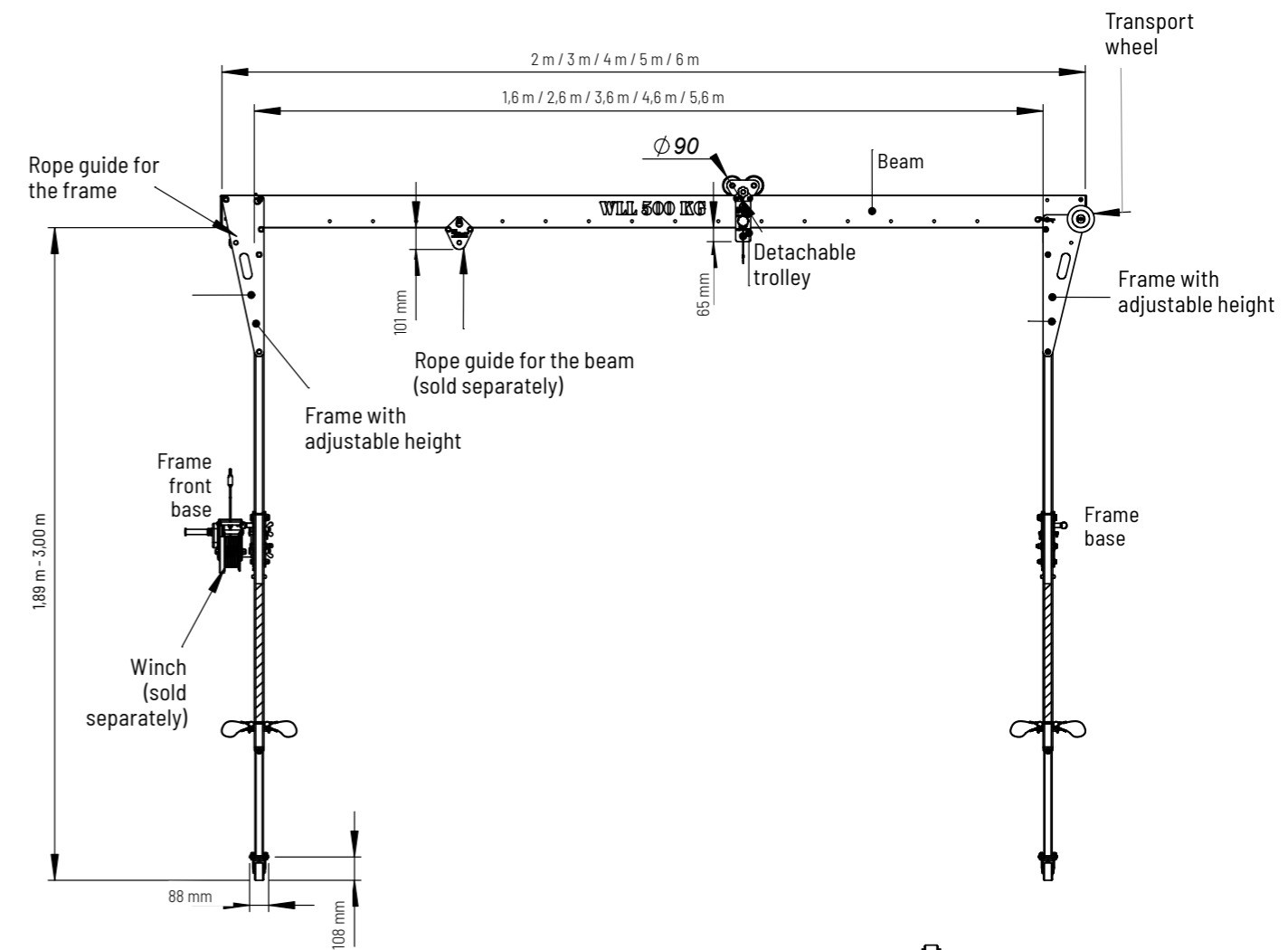
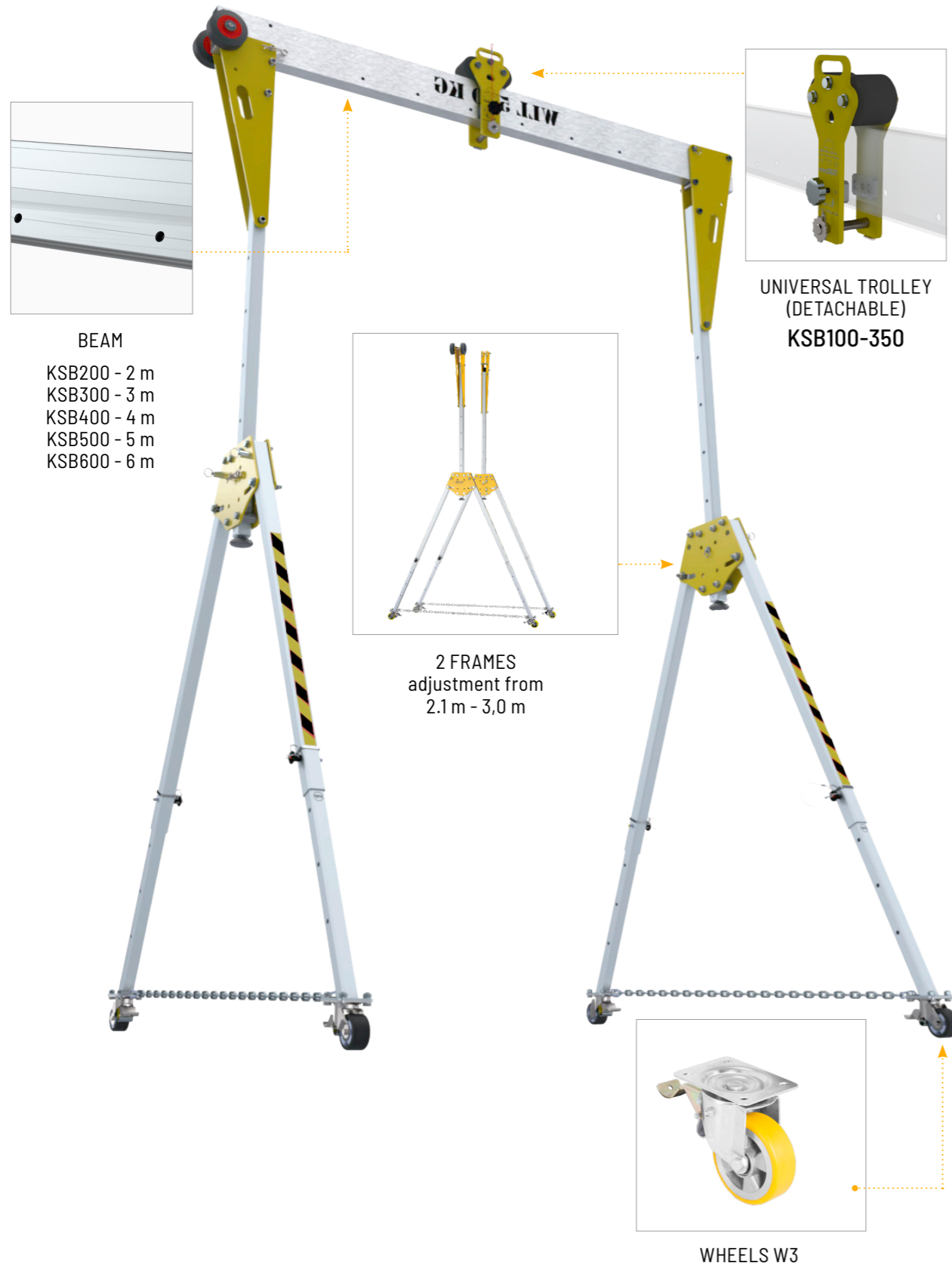


Battery winch equipped with 4 mm x 12 mm steel chain (class 80) with a working length of 6 m.

The chain is hidden in a special basket. The hoist is used for lifting cargo and is designed to work with KSB / KSB-LE / FSB compact cranes.

Length: 6 m
Battery life: 20 min
Weight: 9 kg

WLL: 500 kg



TECHNICAL DESCRIPTION

The KSB-LE compact crane consists of a beam along with two fixed frames. Thanks to this solution, transportation of the device is easy, and no additional tools are required to set it up.

1. Beams

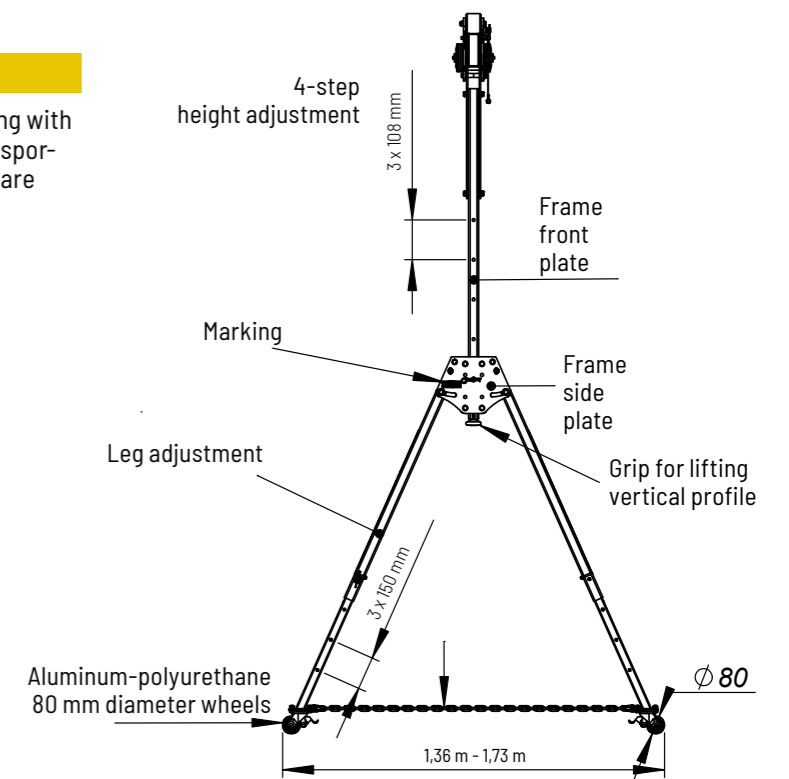
- KSB200-S1 - 2 meter beam
- KSB300-S1 - 3 meter beam
- KSB400-S1 - 4 meter beam
- KSB500-S1 - 5 meter beam
- KSB600-S1 - 6 meter beam

2. Frames

Height: 1.9 - 3.0 mm, permanently connected to the beam. A set of wheels is attached to the frame.

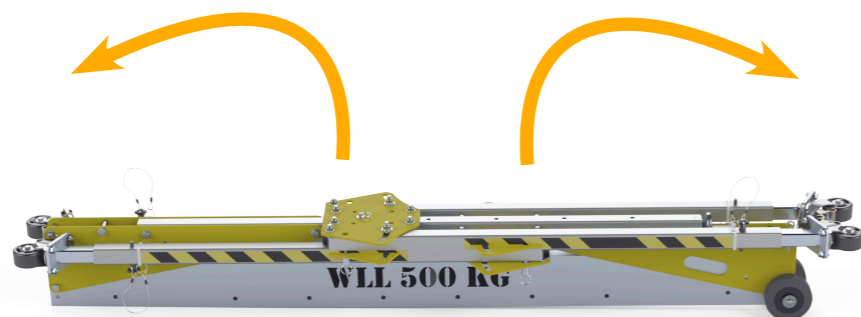
3. Trolley

KSB100-350-000
 Made of aluminum alloy, stainless steel and polyamide. The trolley can be locked.



DUE TO A EUROPEAN PATENT, THE PRODUCT IS NOT AVAILABLE IN THE FOLLOWING COUNTRIES:
 ALBANIA, SWITZERLAND, CYPRUS, GERMANY, FRANCE, UNITED KINGDOM, HUNGARY, IRELAND, LIECHTENSTEIN, LUXEMBOURG, MONACO, MACEDONIA, MALTA, NETHERLANDS, SAN MARINO, TURKEY.

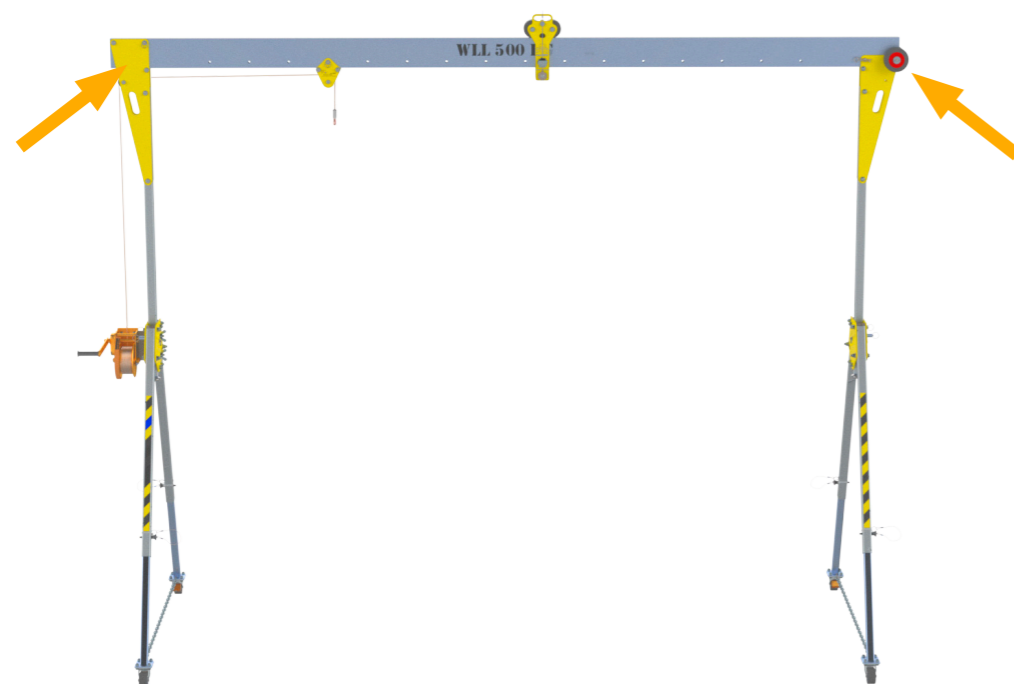
1 Assembled KSB - LE crane.
Open the crane frames



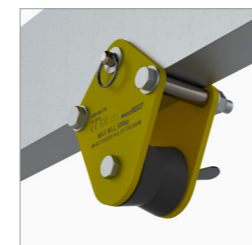
2 Extend the legs of the frame.



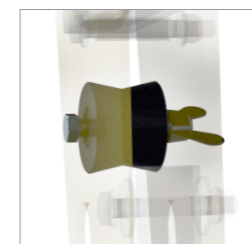
3 Place the crane legs in a vertical position and lock with cotters.



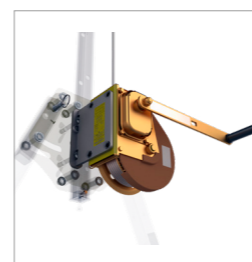
4 Installation of additional accessories



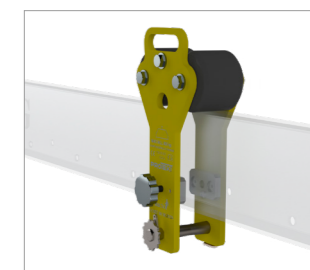
ROPE GUIDE TO THE BEAM



ROPE GUIDE TO THE BASE



RESCUE WINCH



UNIVERSAL TROLLEY (DETACHABLE)



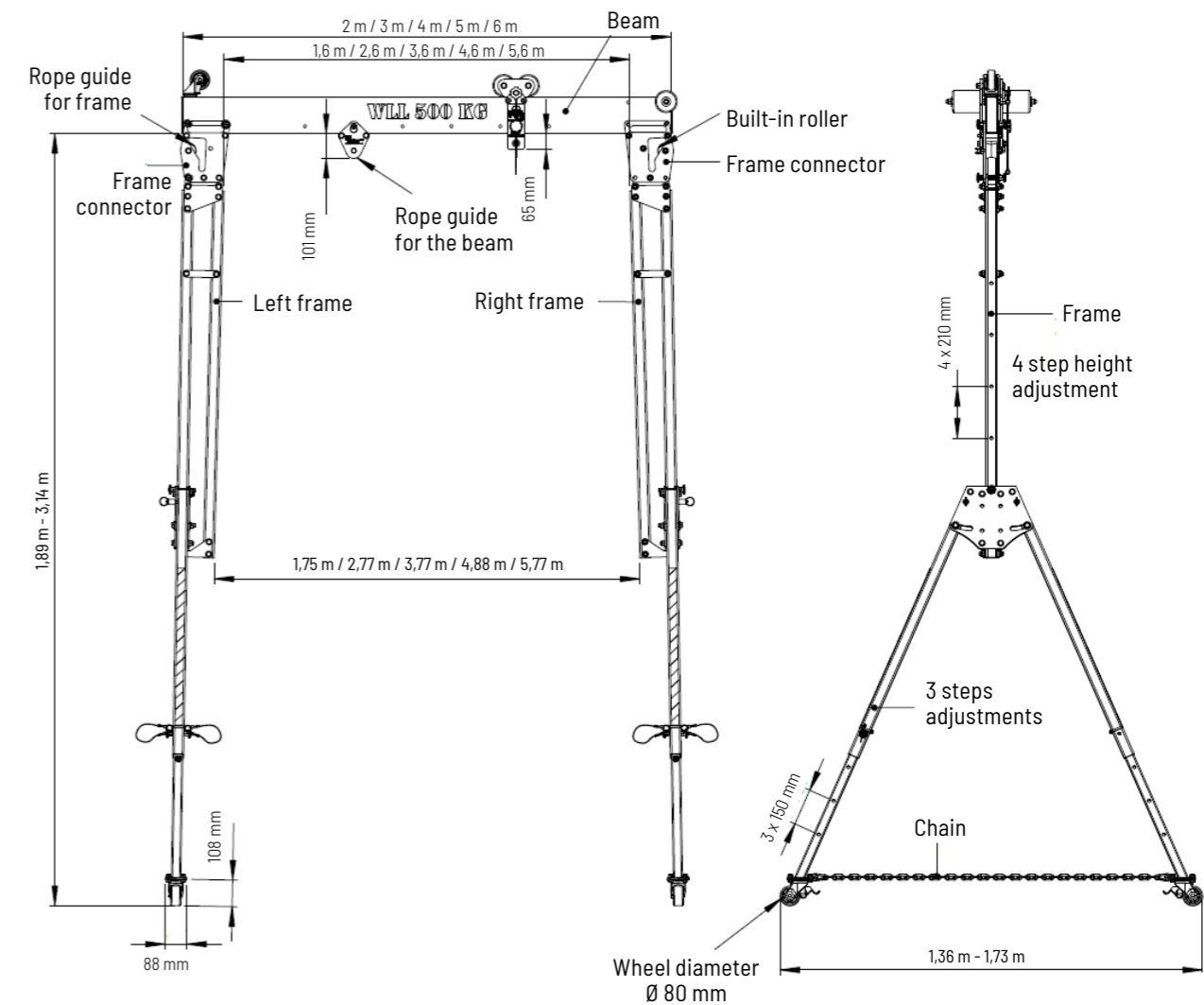
RUP 507-UT BATTERY WINCH

RUP 507-UT BATTERY WINCH

Battery winch equipped with 4 mm x 12 mm steel chain (class 80) with a working length of 6 m.

The chain is hidden in a special basket. The hoist is used for lifting cargo and is designed to work with KSB / KSB-LE / FSB compact cranes.

Length: 6 m
 Battery life: 20 min
 Weight: 9 kg
 WLL: 500 kg



TECHNICAL DESCRIPTION

The FSB crane consists of a beam, two detachable connectors, two removable frames and a trolley.

- FSB200-01-W3 - 2 meter beam
- FSB300-01-W3 - 3 meter beam
- FSB400-01-W3 - 4 meter beam

- O1 - one type of frame available (dimensions: 1,9 - 3,1 m)
- W3 - set of swivel wheels (KSB100-900) available with brake with a diameter of 80 mm

Trolley KSB100-350-000 made of aluminum alloy, stainless steel and polyamide. The trolley can be locked by a knob, positioning on the beam.

DUE TO A EUROPEAN PATENT, THE PRODUCT IS NOT AVAILABLE IN THE FOLLOWING COUNTRIES:

Albania, Switzerland, Cyprus, Germany, France, United Kingdom, Hungary, Ireland, Liechtenstein, Luxembourg, Monaco, Macedonia, Malta, Netherlands, San Marino, Turkey.

1 FSB crane assembled.
Unfolding the frames.



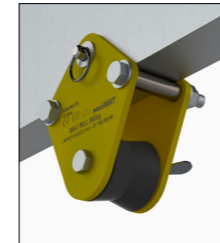
2 Unfold the frames
and extend the legs.



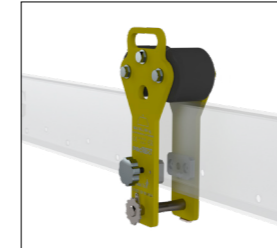
3 Set the appropriate
height of the crane.



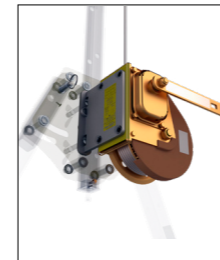
4 Assemble the accessories.



ROPE GUIDE
TO THE BEAM



UNIVERSAL TROLLEY
(DETACHABLE)



RESCUE
WINCH



RUP 507-UT BATTERY WINCH



RUP 507-UT BATTERY WINCH



Battery winch equipped with 4 mm x 12 mm steel chain (class 80) with a working length of 6 m.

The chain is hidden in a special basket. The hoist is used for lifting cargo and is designed to work with KSB / KSB-LE / FSB compact cranes.

Length: 6 m
Battery life: 20 min
Weight: 9 kg

WLL: 500 kg



KSB COMPACT CRANE



COMPACT CRANE KSB-LE



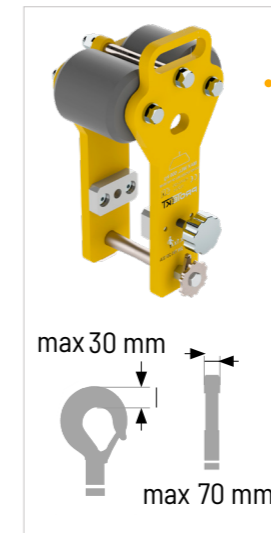
FSB COMPACT CRANE



KSB100-350-000
UNIVERSAL TROLLEY
(DETACHABLE)



KSB100-350-000
UNIVERSAL TROLLEY
(DETACHABLE)



FSB100-902

SWIVEL WHEEL 80MM
TO THE BEAM
FSB - SET



FSB100-250

TRANSPORT ROLLERS
FOR FSB BEAM

PARAMETERS OF AVAILABLE BEAMS:

	WEIGHT	LENGTH
KSB200	8,25 kg	2,0 m
KSB300	12,39 kg	3,0 m
KSB400	16,52 kg	4,0 m
KSB500	66,50 kg	5,0 m
KSB600	80,10 kg	6,0 m

PARAMETERS OF AVAILABLE BEAMS:

	WEIGHT	LENGTH
FSB200	8,25 kg	2,0 m
FSB300	12,39 kg	3,0 m
FSB400	16,52 kg	4,0 m



KSB & FSB - Compact cranes



1.

2.

3.

FSB - Crane unfolding sequence

KSB CRANE FRAMES

KSB-LE CRANE FRAMES

FSB CRANE FRAMES

Regulation height of the vertical profile

3 x 180

4 x 180

4 x 210

Regulation leg height

3 x 150

3 x 150

3 x 150

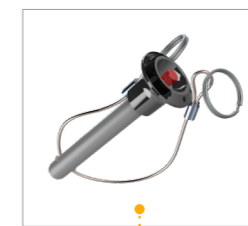
HEIGHT RANGE OF COMPACT OVERHEAD CRANES

Maximum height of frames

KSB $H_{max} = 3,0$ m
 KSB - LE $H_{max} = 3,0$ m
 FSB $H_{max} = 3,1$ m

Pin with cotter for adjusting the height of the vertical profile

AT011-911
 Ø10x50

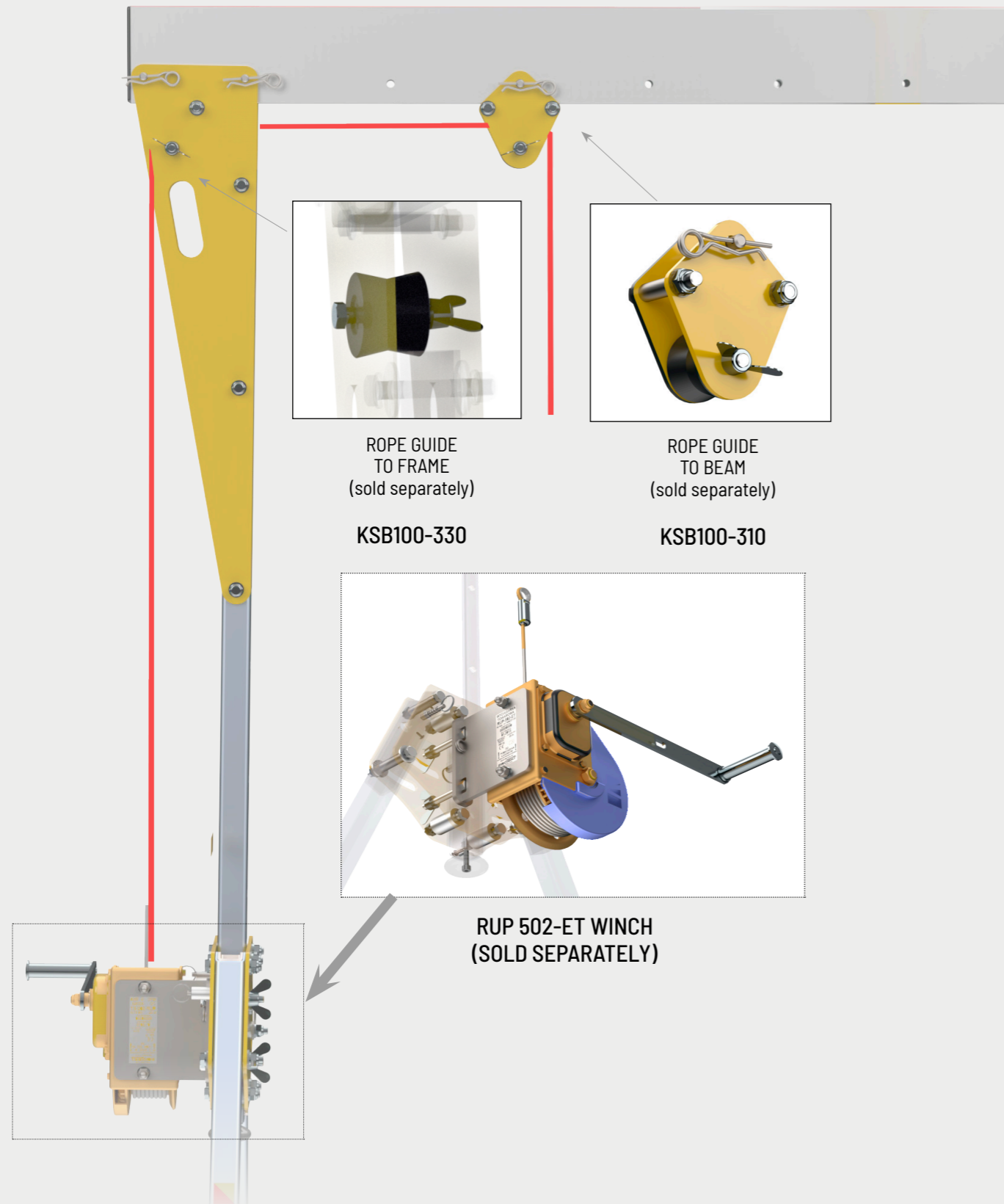


vertical profile height adjustment

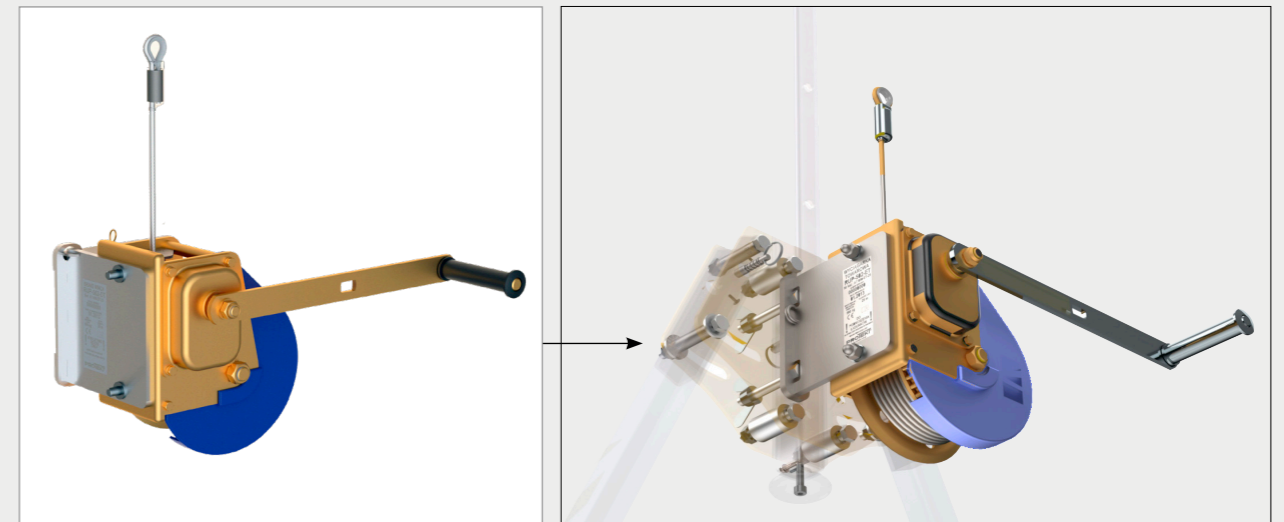
Minimum height of frames

KSB $H_{min} = 2,1$ m
 KSB - LE $H_{min} = 1,9$ m
 FSB $H_{min} = 2,1$ m

3 degrees leg adjustment (3x 15 cm)

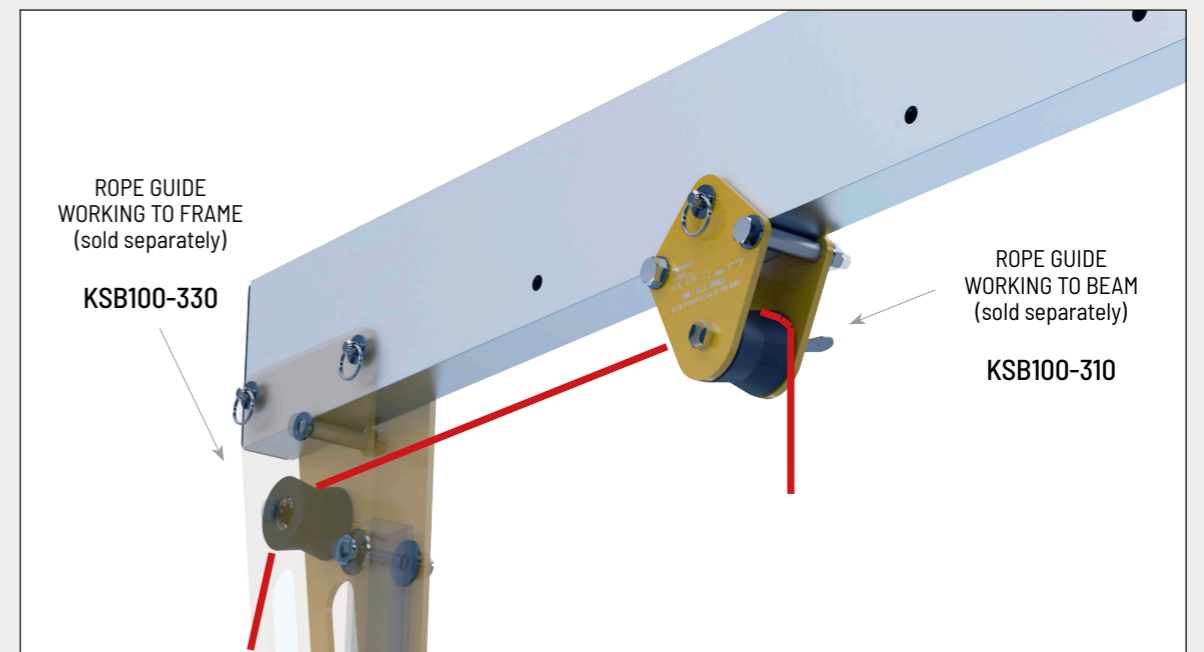


RUP 502-ET CARGO WINCH WITH A 25 M ROPE DESIGNED FOR LIFTING LOADS UP TO 500 KG, ATTACHED TO THE MAIN BASE FRAME



CARGO WINCH
RUP 502-ET

RUP 502-ET placed on KSB / KSB-LE plate



ROPE GUIDE
WORKING TO FRAME
(sold separately)
KSB100-330

ROPE GUIDE
WORKING TO BEAM
(sold separately)
KSB100-310

KSB100-350-000
EXTERNAL CARGO TROLLEY



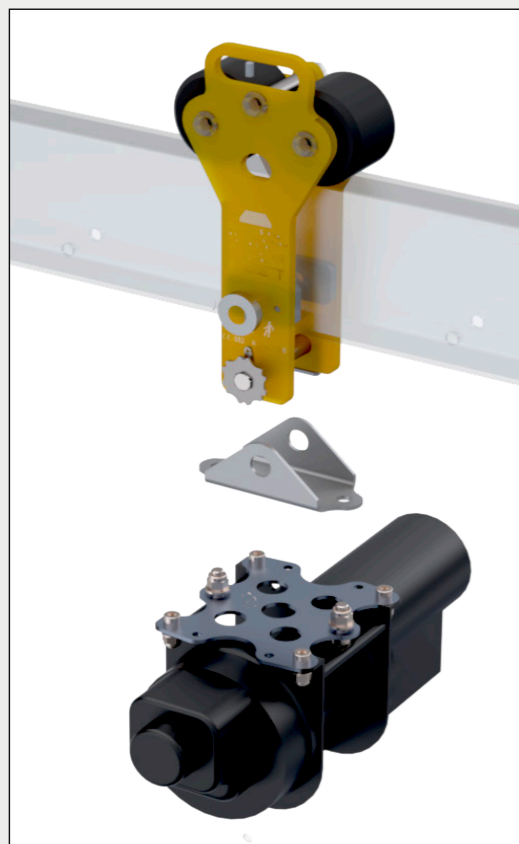
Example of CARGO electric hoist mounting to the external trolley

INSTALLATION MODULES FOR ELECTRIC WINCHES



KSB100-353-005

RUP 504-UT electric winch mounting to the trolley using a installation module



ROPE GUIDE WORKING TO THE BEAM (SOLD SEPARATELY)

KSB100-310

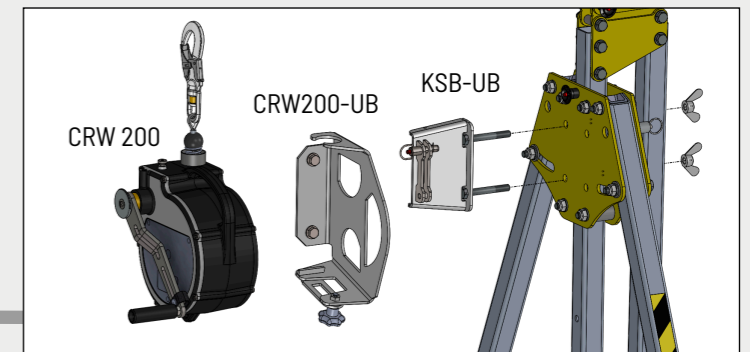
KSB-UB + CRW200-UB



Device holder retractable CRW 200



Retractable device CRW 200

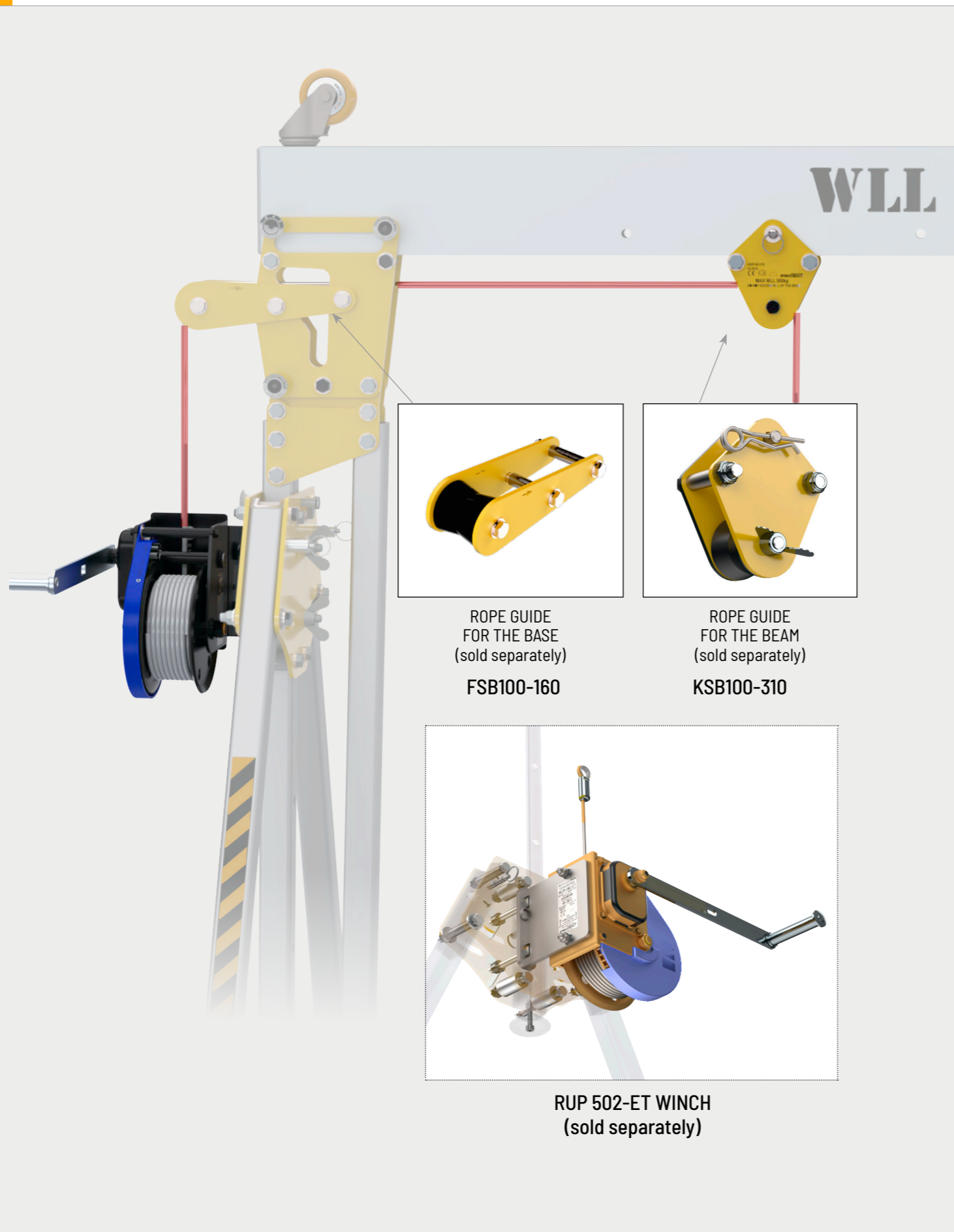


CRW 200 retractable device with evacuation function. The device is mounting to compact cranes using the KSB-UB adapter.

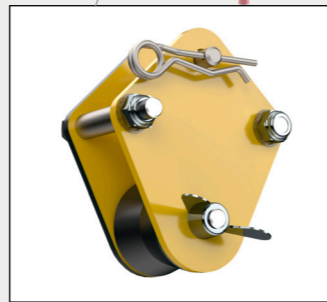
A device intended for evacuation and protection against falls from heights.

Rope length: 15 m
Permissible load: 140 kg

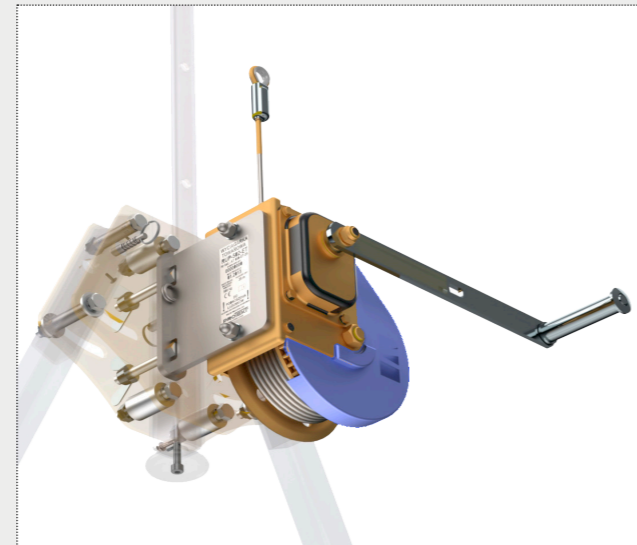
ADAPTER AND ROPE GUIDE PURCHASED SEPARATELY.



ROPE GUIDE FOR THE BASE (sold separately)
FSB100-160



ROPE GUIDE FOR THE BEAM (sold separately)
KSB100-310



RUP 502-ET WINCH
(sold separately)

Kit KSB-100-800



KSB100-310
ROPE GUIDE FOR THE BEAM (sold separately)

KSB100-330
ROPE GUIDE FOR FRAME (sold separately)

WINCH 25 M MOUNTING THE TO THE BASE PANEL

Set of 25 m winch + rope guide rollers.

RUP 507-UT BATTERY WINCH



Battery hoist chain with steel chain
Length: 6 m
Battery life: 20 min
Weight: 9 kg
Admissible working load: 500 kg

KSB100-350 + BATTERY WINCH

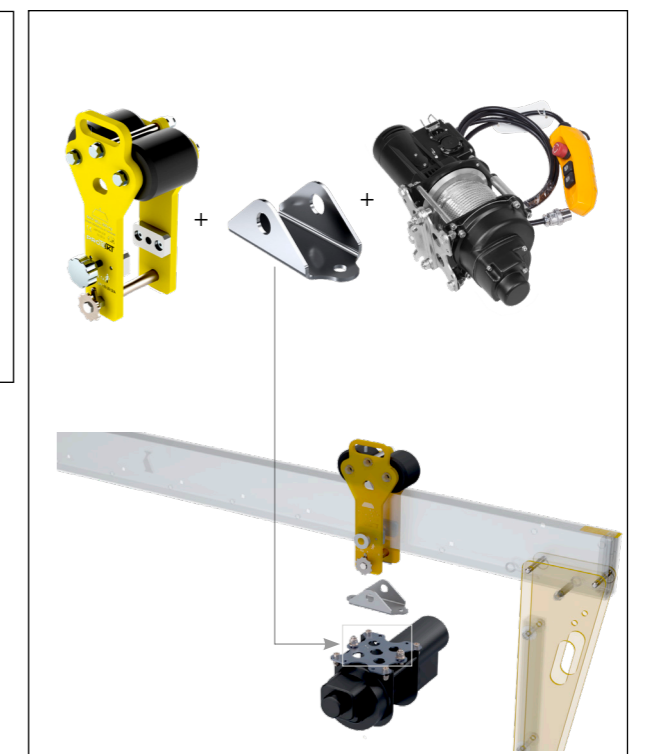


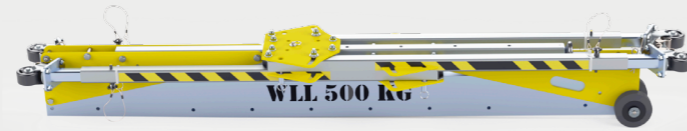
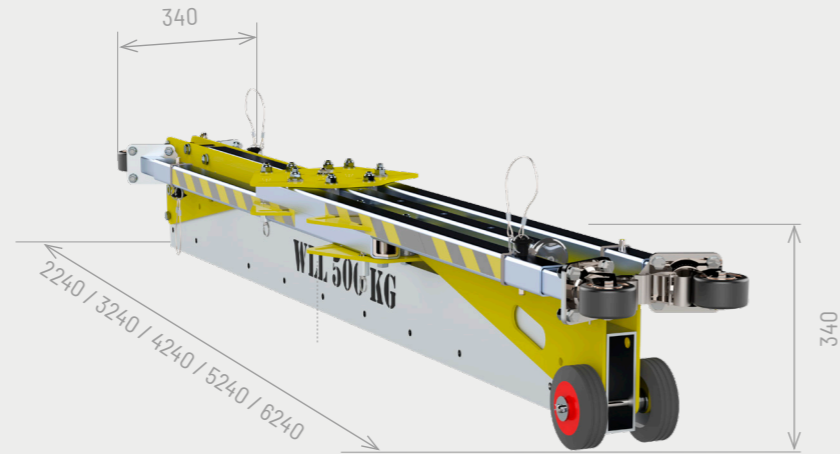
RUP 504-UT ELECTRIC WINCH



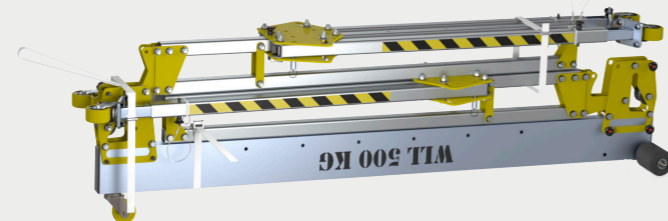
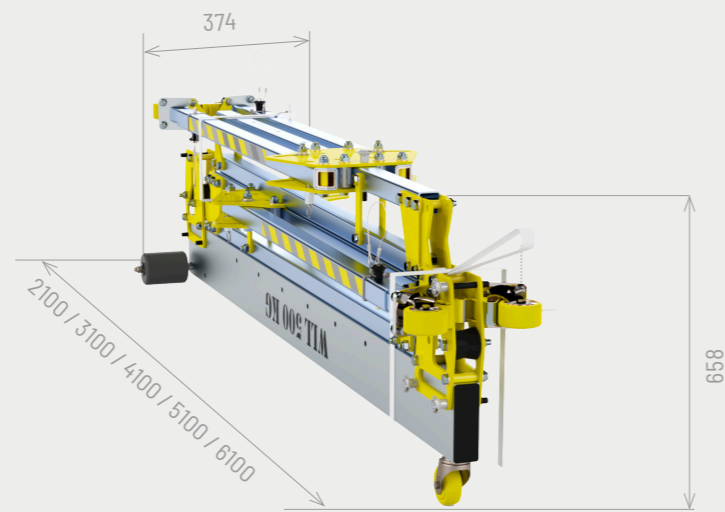
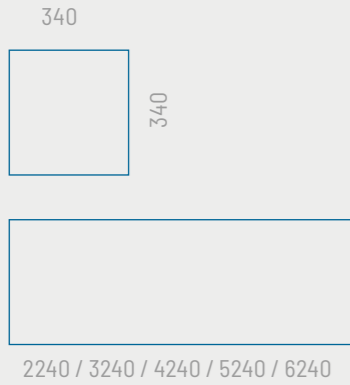
SINGLE-PHASE 230V ELECTRIC WINCH
Length: 30 m
Weight: 21 kg
Acceptable working load: 500 kg

KSB100-350 + KSB100-353-005 + ELECTRIC WINCH

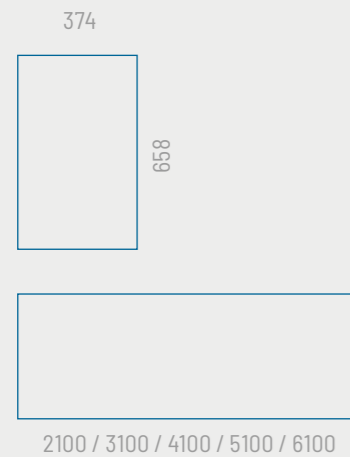




KSB / KSB-LE COMPACT CRANE



FSB COMPACT CRANE



KSB100-350-000

Cargo and personal trolley (detachable)



Made of durable aluminum alloy, stainless steel and polyamide. The trolley can be locked in any position along the beam with use knobs. The trolley can be used to lifting loads or to evacuate people.

KSB100-310

Rope guide for beam



Roller guide for the working rope attached to beam.

ASB500-330

Rope guide working to the frame



Roller guide for the working rope attached to frame.

FSB100-160

Rope guide working to the frame



Made of two powder-coated aluminum frames, polyamide roller with ball bearings, stainless steel sleeve and galvanized steel connectors. Installing the working rope using the RUP 502-ET winch.

FSB100-902

Transport wheel for beam FSB crane



A swivel wheel with a diameter of 80 mm permanently installed on the main beam of the FSB crane.

FSB100-150

Transport roller of the FSB crane



A roller for transport, permanently installed on the main beam of the FSB crane.

RUP 504-UT

Electric winch



Single-phase 230V AC electric winch equipped with a rope steel with a diameter of 6 mm and a length of 30 m wound on a drum.

Permissible working load at lifting/descending loads (WLL): 500 kg.

Power by 1-phase 230V alternating voltage. The set includes a cable for connecting to the electrical with EU plug.

Working speed: 7 m/min
(when using the TU415/TU416 block - 3.5 m/min).

RUP 507-UT

Battery winch



Battery electric winch equipped with a steel rope with a diameter of 5 mm and 15 m length, wound on a drum.

WLL: 500 kg.

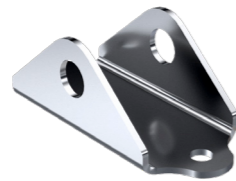
TU415/TU416 pulley load capacity when lifting cargo (WLL) can be increased to 1000 kg.

Battery backup. The set includes: two 18V 4.0Ah batteries with a charger. Battery life under full load is ~ 20 - 25 minutes.

Working speed: 4 m/min
(when using the TU415/TU416 block - 2 m/min).

**INSTALLATION MODULE
KSB100-353-005**

Installation module for the RUP 504-UT battery winch



Module enable the installation of the RUP 504-UT winch for the trolley of compact crane series KSB / KSB-LE / FSB.

CRW200-UB

Device holder for CRW 200 for cranes compact



Bracket for attaching the CRW 200 retractable device to the side of the crane frame KSB / KSB - LE / and FSB. Requires KSB-UB adapter.

FSB100-901 - frame-beam

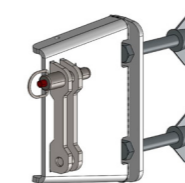
Pin with cotter
Ø12 x 70



Automatic cotters are used to connect individual elements of the crane.

KSB-UB

Universal winch handle



Enables the installation CRW 200 retractable device to the main node of compact cranes using the CRW-200-UB adapter

AT011-911 - leg

Pin with cotter
Ø10 x 50



Automatic cotters are used to connect individual elements of the crane.

CRW 200

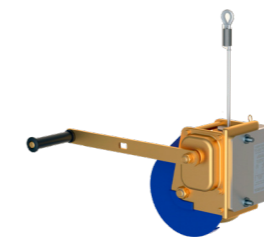
Retractable device



The CRW 200 is a combination of a retractable device and a rescue lifting device. The housing is made of aluminum alloy. The CRW 200 device has a manual winch with a lifting and lowering function with a galvanized steel cable.

RUP 502-ET

Cargo winch



RUP 502-ET cargo winch with a 25 m rope, designed for lifting loads up to 500 kg, mounting the to the vertical profile of the frame.

CARGO BEAMS



WORKING LOAD: 0,5 T
MAX USERS: 3
LENGTH: FROM 2,0 M TO 6,0 M
HIGH: 1,5 M TO 2.4 M

ALUQUAD



WORKING LOAD: 1,25 TO 5,00 T
LENGTH: FROM 1,0 TO 4,0 M

TRA



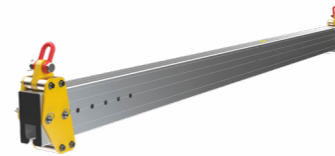
WORKING LOAD: 1,25 TO 5,00 T
LENGTH: FROM 1,0 TO 4,0 M

TRB



WORKING LOAD: 1,25 TO 6,00 T
LENGTH: FROM 0,5 TO 5,0 M

TRC



WORKING LOAD: 3,0 T
LENGTH: FROM 0,5 TO 7,0 M

TRD



WORKING LOAD: 1,4 T
LENGTH: 4,0 M

TRE



WORKING LOAD: 3,5 T
LENGTH: FROM 1,5 TO 7,0 M

TRO



WORKING LOAD: 3,0 T
LENGTH: FROM 3,0 TO 5,0 M





TRM

ALUQUAD

LIGHT ALUMINUM QUADROPOD

EN 795:2012 TYPE B
CEN/TS 16415 TYPE B



- LOAD  **Maximum 0,5 tones**
- PROTECTION FROM FALL FROM HEIGHT  **Maximum 3 users**
- LENGTH BEAMS  **from 2 to 6 m**
- WORKING HEIGHT  **from 1,5 to 2,4 m**

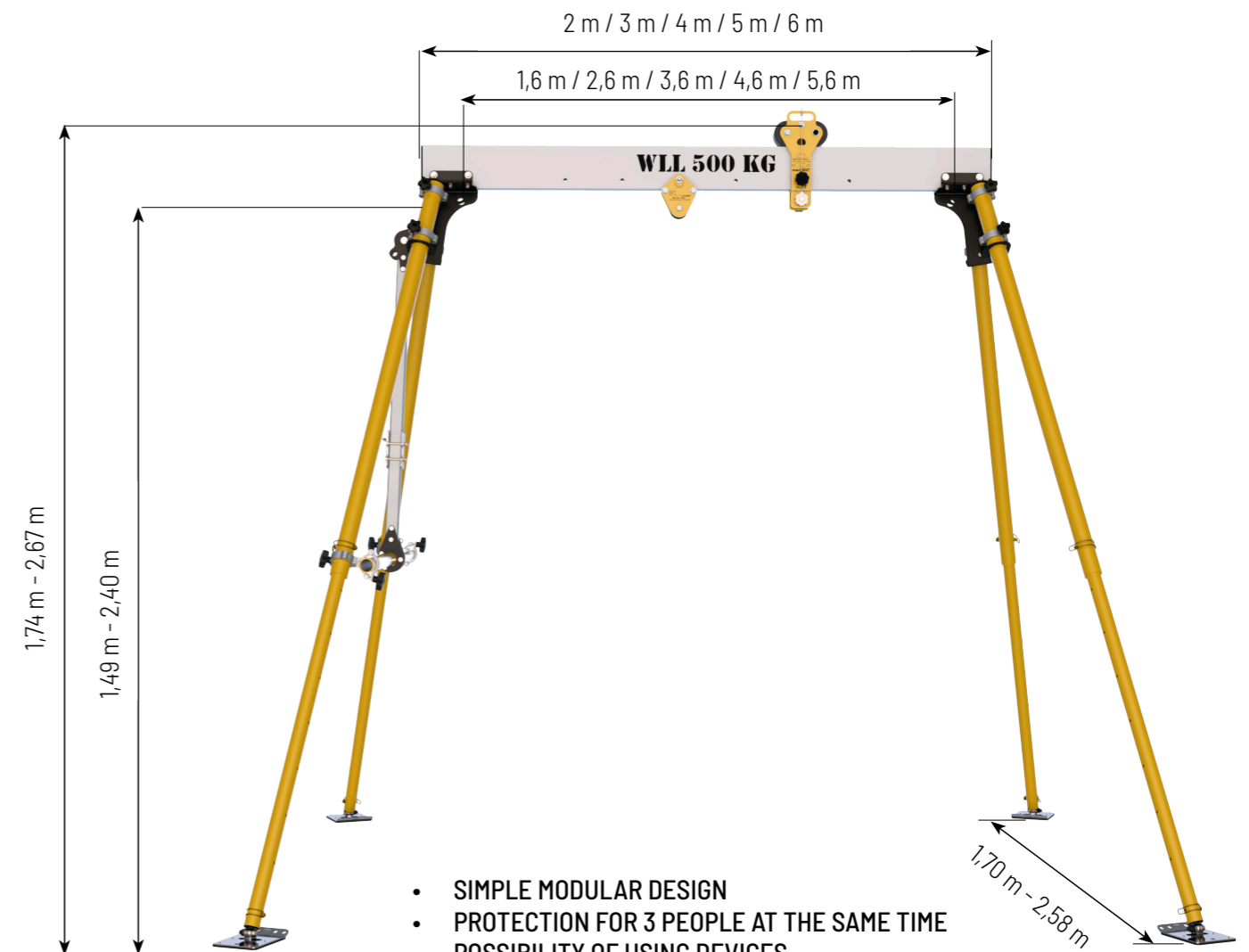
DESCRIPTION:

ALUQUAD is a light, modular and multifunctional device for use in fall protection systems from heights (in accordance with the EN 795/B standard and document TS 16415/B), evacuation (in accordance with the EN 1496/B standard) and for lifting cargo (in accordance with the Machinery Directive).

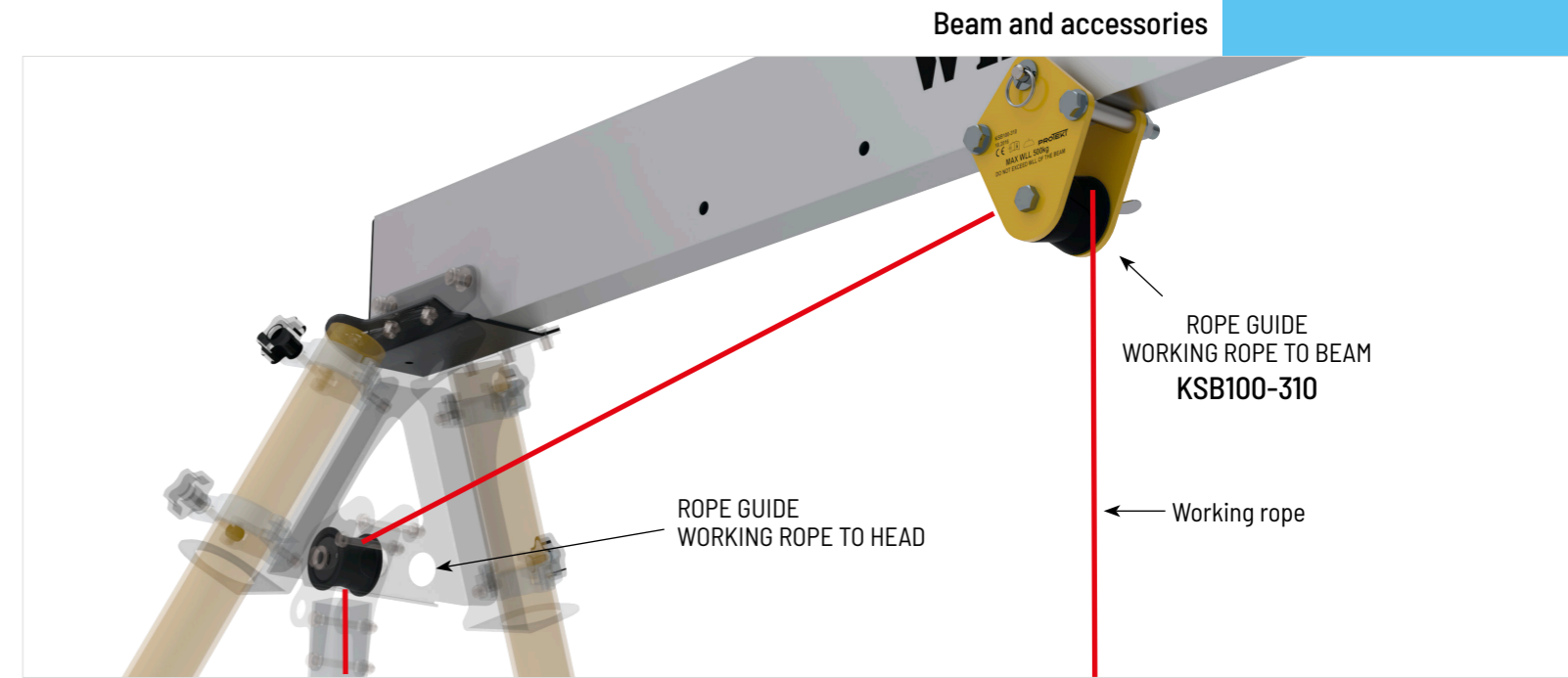
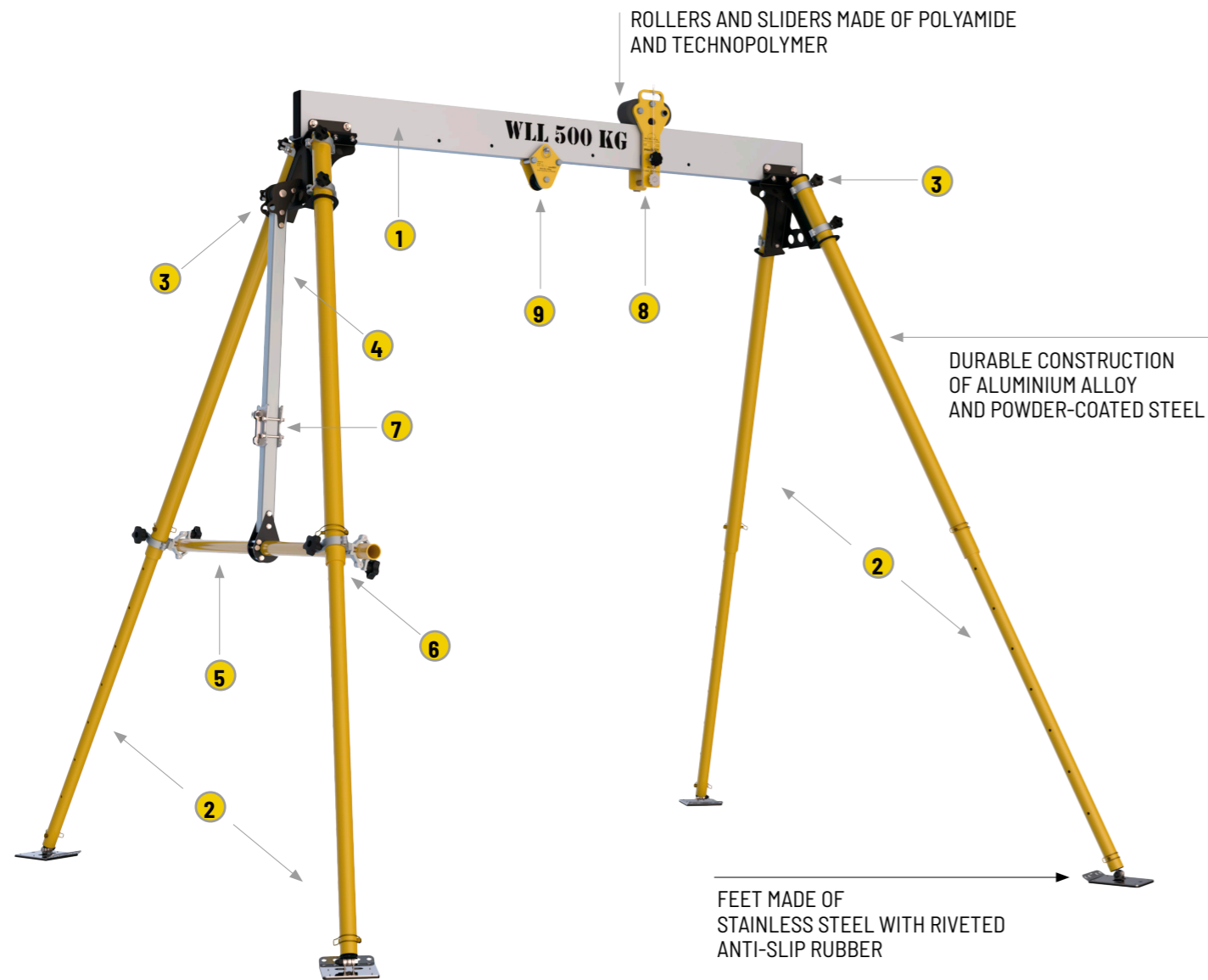
It is made of a reinforced aluminum alloy and steel, which ensures high durability and low weight. The working beam of the device (available in lengths from 2 to 6 meters) is connected using two heads to 4 telescopic frame legs. The beam cooperates with a work trolley, which can be used as a point for connecting fall protection equipment or as an assembly point for cargo hoists.

The standard equipment also allows for the installation of evacuation devices (e.g. the RUP series) between the two legs of the device (on the side), which provides easy access to them during work. Each head, in addition to a quick and stable connection of the legs to the beam, is equipped with a series of holes that enable the connection of the required equipment. The telescopic, aluminum leg allows you to adjust the height of the device. The leg is locked using a solid cotter with protection against accidental falling out. Each leg ends with a large foot made of stainless steel with riveted anti-slip rubber. The foot is attached to the leg with a cotter, which allows it to be quickly dismantled for transport.

DEVICE DIMENSIONS:



- SIMPLE MODULAR DESIGN
- PROTECTION FOR 3 PEOPLE AT THE SAME TIME
- POSSIBILITY OF USING DEVICES EVACUATION EQUIPMENT UP TO 140 KG
- LIFTING CARGO UP TO 500 KG
- WEIGHT ONLY 57 KG (VERSION WITH A 2 M BEAM)



KSB100-350
EXTERNAL TROLLEY
(CARGO-PERSONNEL)

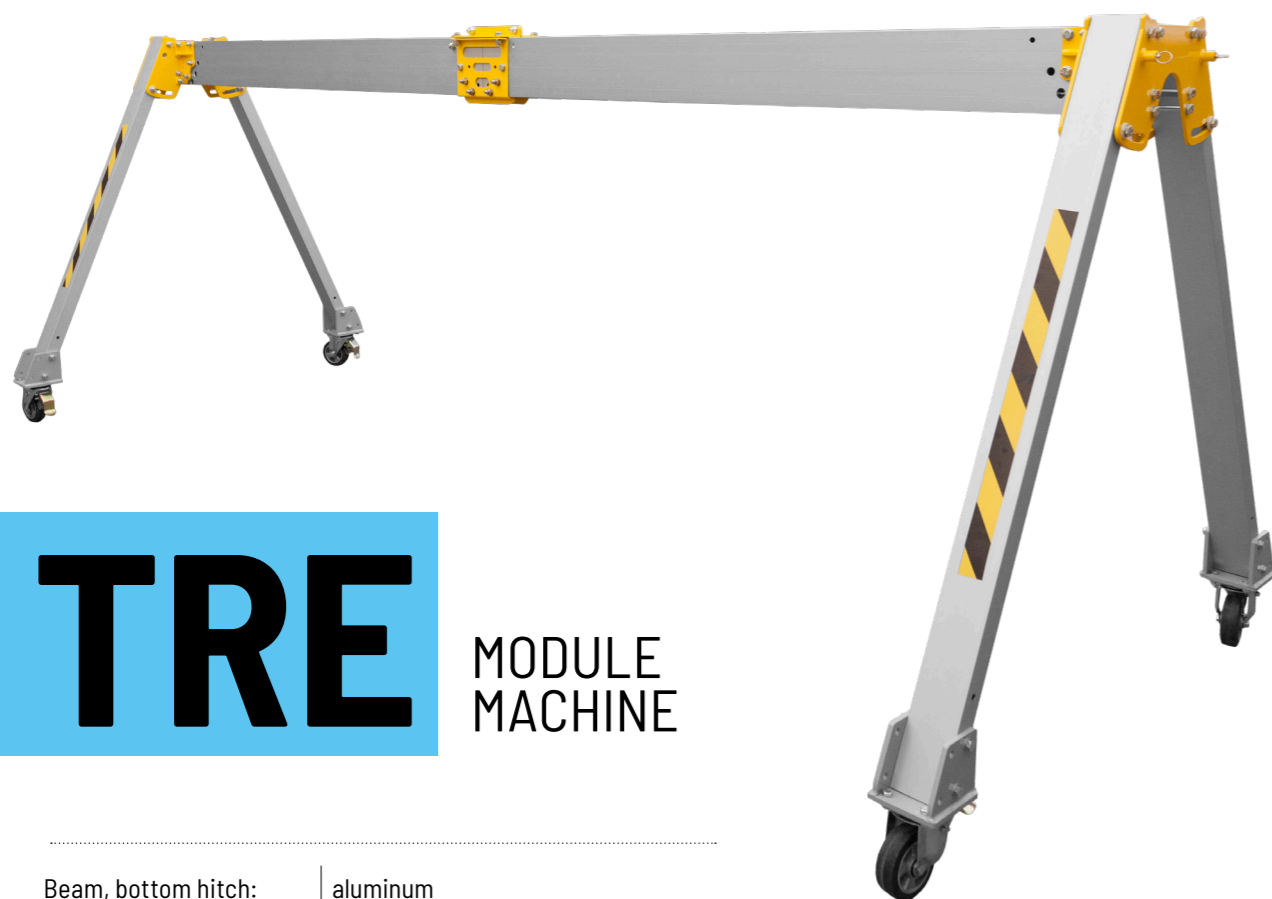


BASIC ALUQUAD COMPONENTS INCLUDED IN THE KIT:

- 1) RX225-BEAM-xxx - xxx cm beam - 1 pcs.
- 2) RX225-005-000 - 2 x 1.5 m telescopic leg with foot - 4 pcs
- 3) RX225-006-000 - steel head - 2 pcs
- 4) RX225-007-000 - winch base - rod - 1 pcs
- 5) RX225-007-002 - winch base - horizontal beam - 1 pc
- 6) SPC002 - rotary pipe coupler with polymer knob 63 mm - 2 pcs
- 7) RX225-008-000-RX225-UB (UTB light) - 1 pcs
- 8) KSB100-350-000 - removable trolley for compact cranes - 1 pcs
- 9) KSB100-310 - external guide roller for working cable - 1 szt

PARAMETERS OF AVAILABLE BEAMS:

	WEIGHT	LENGTH
RX225-BEAM-200	8,25 kg	2,0 m
RX225-BEAM-300	12,39 kg	3,0 m
RX225-BEAM-400	16,52 kg	4,0 m
RX225-BEAM-500	66,5 kg	5,0 m
RX225-BEAM-600	80,1 kg	6,0 m



TRE

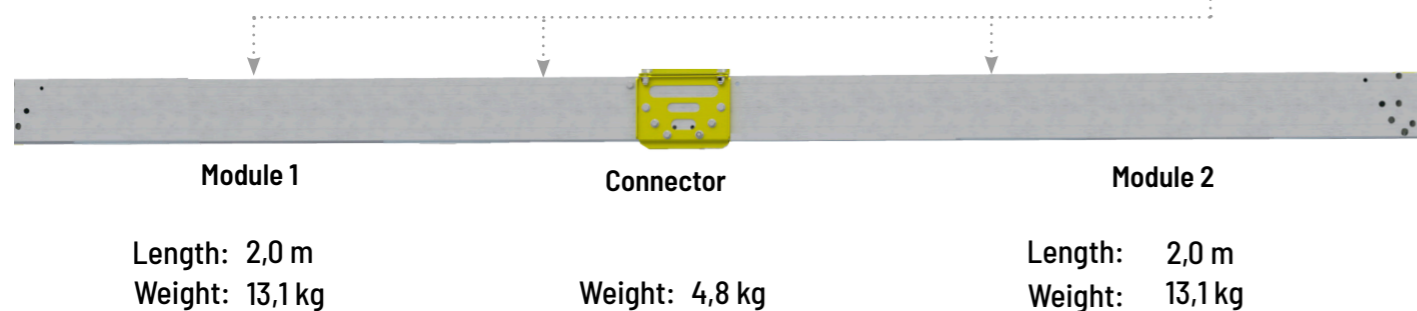
MODULE MACHINE

Beam, bottom hitch:	aluminum
Center hitch:	galvanized steel, powder coated
Cotters:	galvanized steel

COMPLETE BEAM

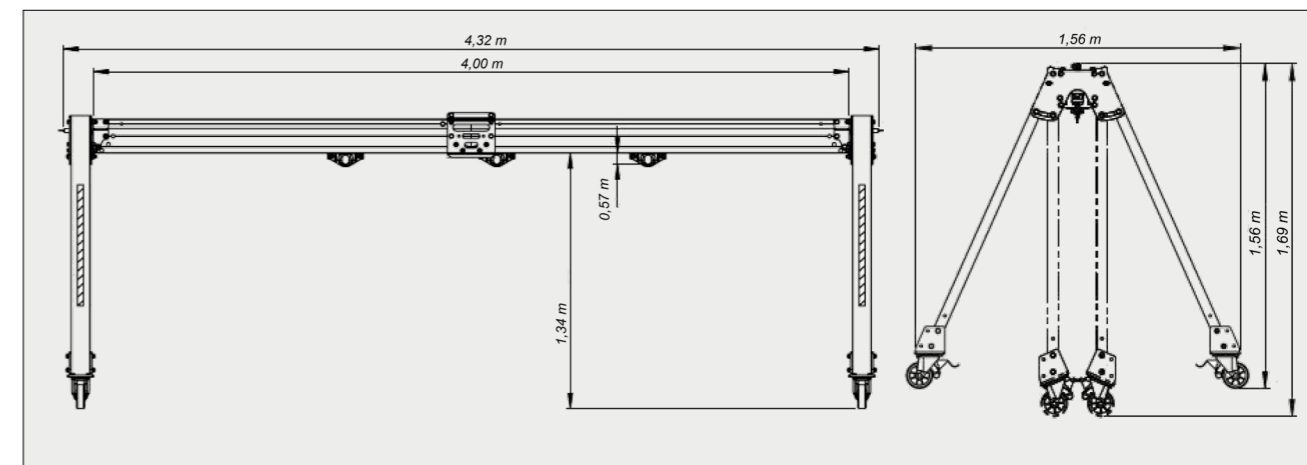
Cargo load:	1,4 tons
Stopcotterg the fall:	0,6 tons
Length:	4,0 m
Weight of the device:	38,7 kg

Internal work trolley
3x



DESCRIPTION:

The TRE modular work rail provides an anchor point that complies with EN795/B and document TS16415/B and can be used as a component of fall protection equipment. The TRE device provides protection for up to 3 people at the same time and can be used when working on the roofs of buildings where there are open skylights. To ensure cooperation with retractable devices and evacuation winches, the TM1 device can be used in addition, on which CRW 200/CRW 300 and RUP 502 devices can be installed.



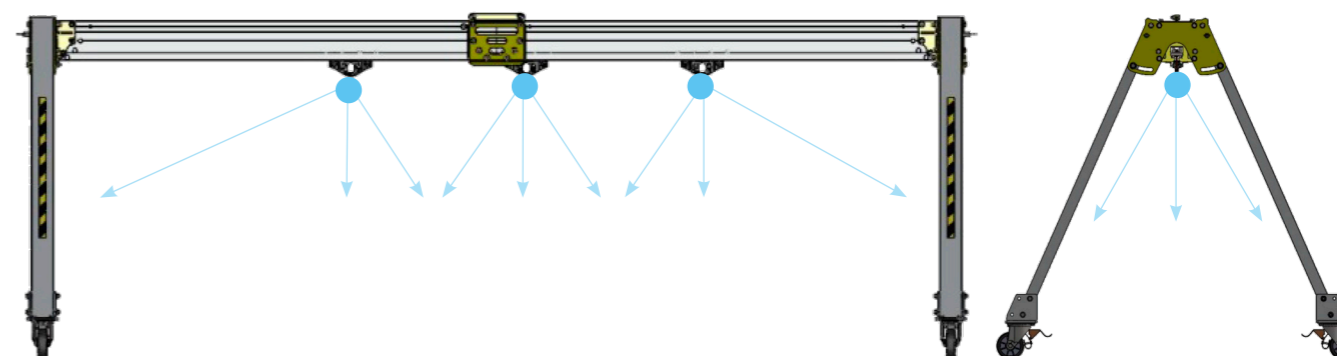
TECHNICAL DATA

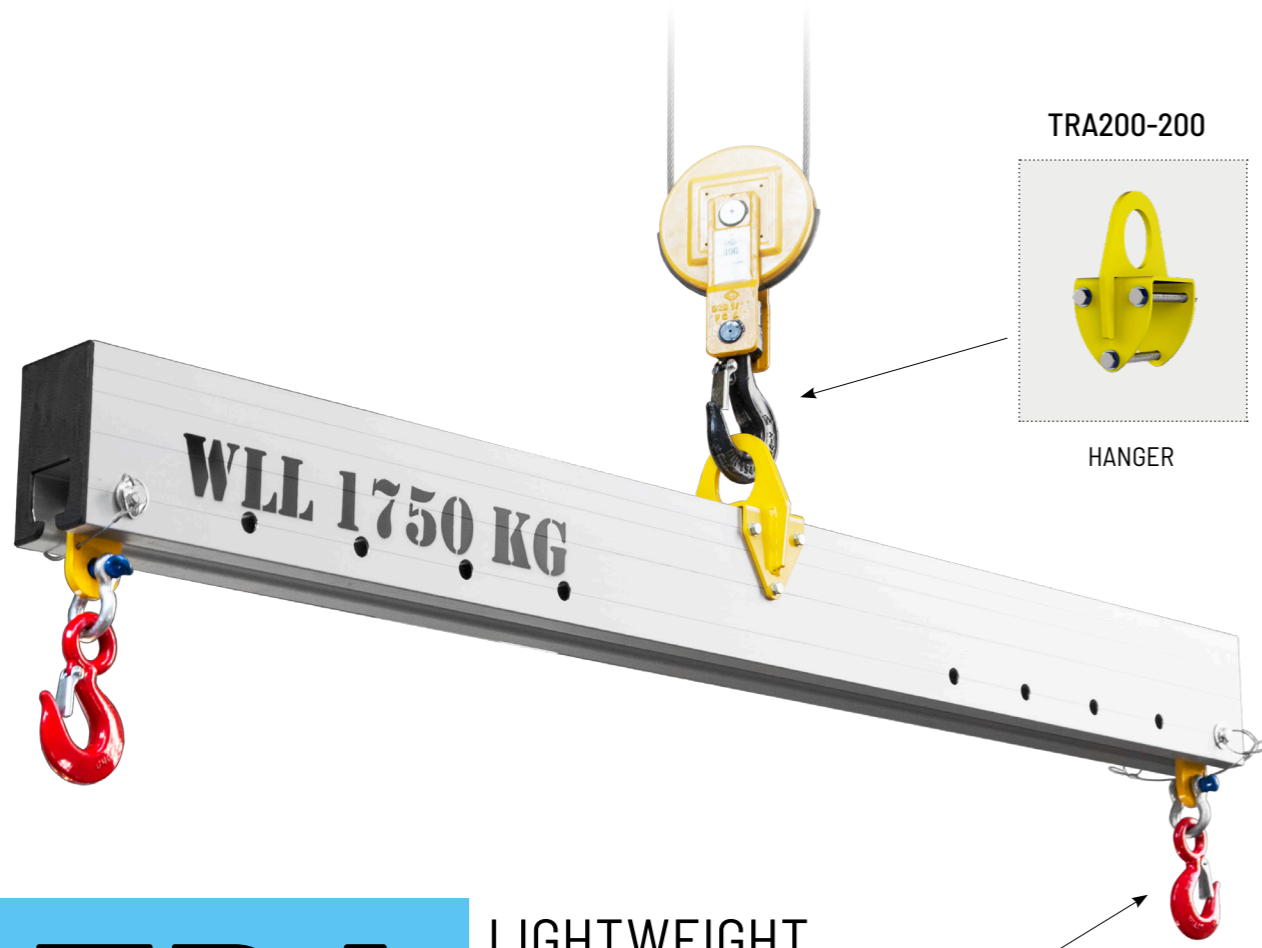
The device consists of 5 separate components:

1. Opening frames on wheels (~1.5 m high) - 2 pcs,
2. 2-meter beam section (giving a 4-meter working rail) - 2 pcs.
3. Beam connector - 1 pcs.

The frames and beams are made of reinforced aluminum alloy. The beam connector is made of galvanized steel. Each part of the device is no longer than 2 meters, which allows easy transport in small elevators. The beam is equipped with an internal rail where ASB500-250 internal trolleys (which are anchor points for connecting fall protection equipment) can be installed. The beam connector is passable for internal trolleys. The legs of the frames are automatically locked in the open position, which further stabilizes the device during operation. The installation of the device requires the use of two „19“ size wrenches (M12 screws). It is recommended that the device be installed by two people equipped with protective gloves.

PERMISSIBLE LOAD DIRECTIONS OF ANCHOR POINTS





TRA

LIGHTWEIGHT ALUMINUM TRAVERSE BEAM

Beam, bottom hitches: aluminum
 Center hitch: galvanized steel, powder coated
 Cotters: galvanized steel

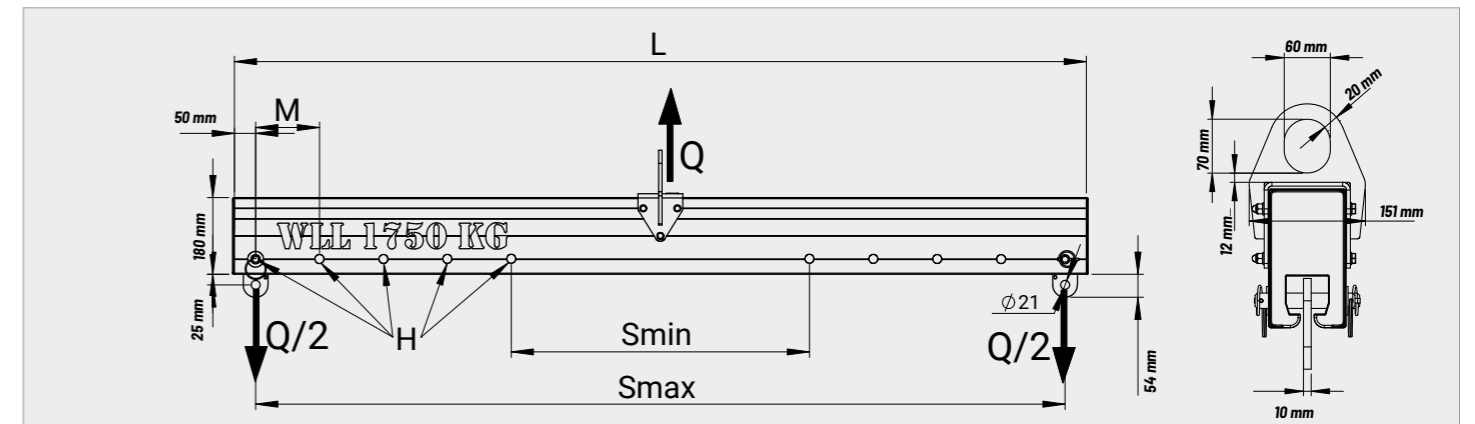
PARAMETERS OF AVAILABLE BEAMS:

		WEIGHT	LENGTH
TRA 100		9,4 kg	1,0 m
TRA 200		16,0 kg	2,0 m
TRA 300		22,6 kg	3,0 m
TRA 400		29,2 kg	4,0 m
TRA 500		35,8 kg	5,0 m

BEAMS ON INDIVIDUAL ORDER:

- the load capacity (WLL) of the beam can not be changed
- possible increment of the total length of the beam „L“ is 50 mm (0.05 m) (the minimum value is 0.5 m / max. 5.0 m),
- possible increment in the spacing of adjustment holes „M“ is 50 mm (minimum value is 100 mm),
- $S_{max} [m] = L [m] - 0.1 m$.

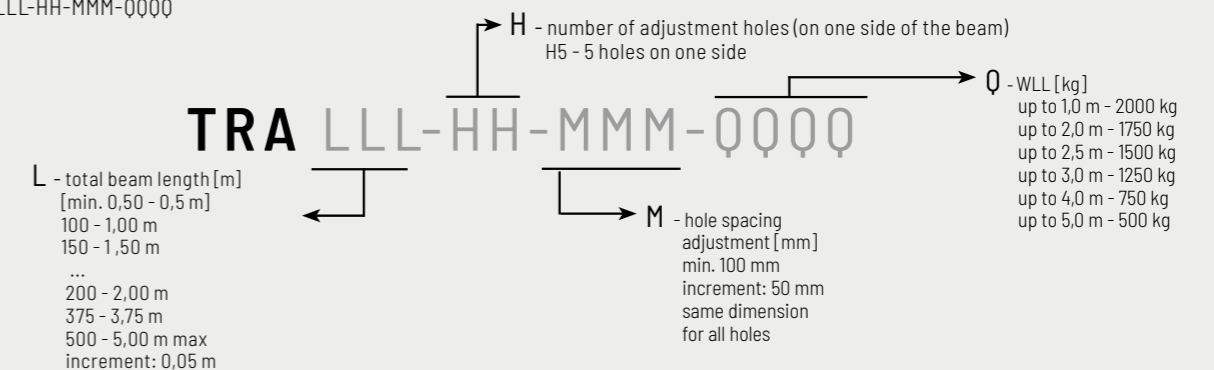
Hooks and shackles are sold separately.

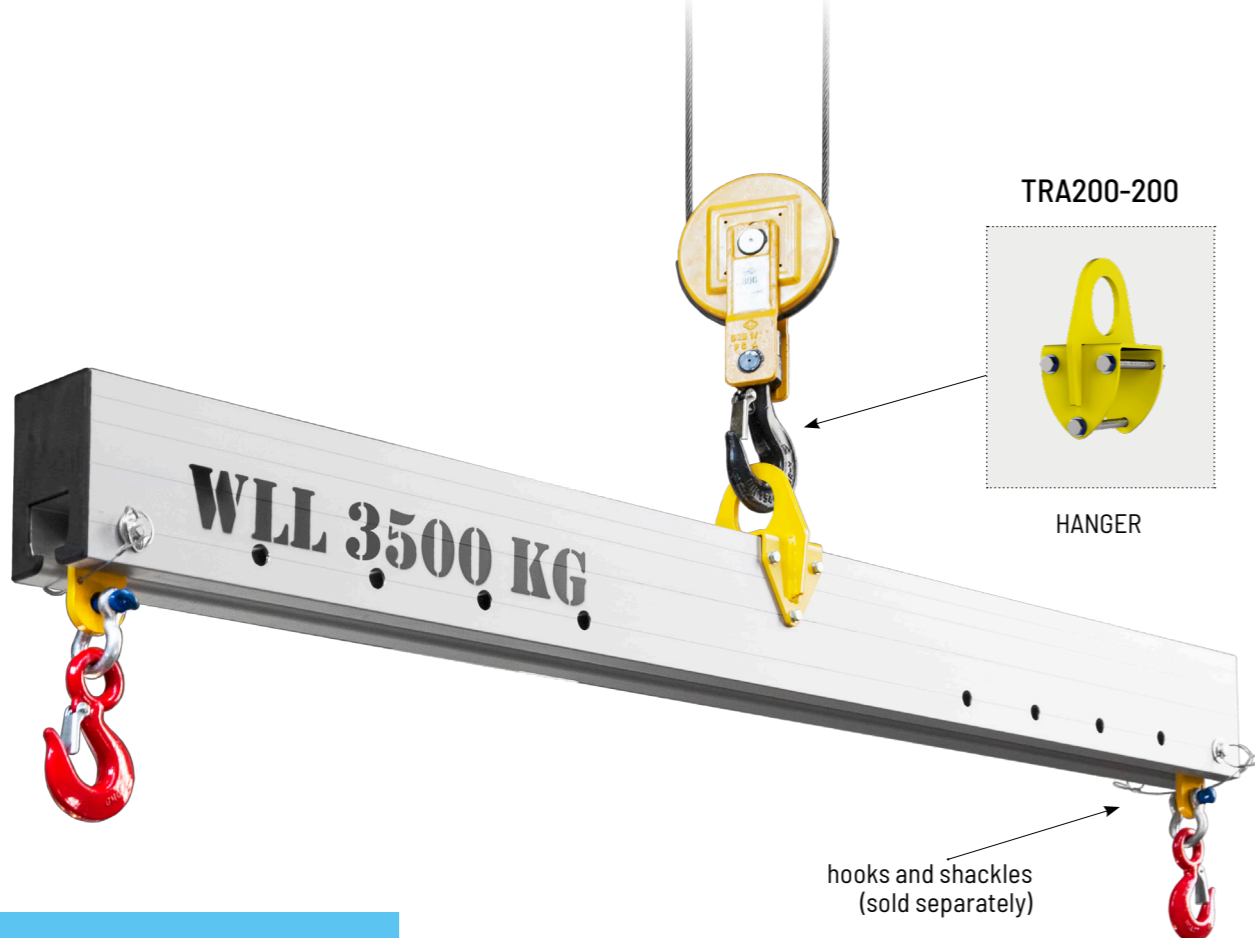


Part number	L beam length [m]	Q permissible load [kg]	S max [m]	S min [m]	M spacing holes in the adjustable beam [mm]	H number of adjustable openings (on one side)	WEIGHT [kg]
TRA050-H1-100-2000	0,5	2000	0,4	0,4	100	1	6,2
TRA100-H3-100-2000	1,0	2000	0,9	0,5	100	3	9,4
TRA150-H4-150-1750	1,5	1750	1,4	0,5	150	4	12,8
TRA200-H5-150-1750	2,0	1750	1,9	0,7	150	5	16,0
TRA250-H6-200-1500	2,5	1500	2,4	0,4	200	6	19,2
TRA250-H1-200-1500	2,5	1500	2,4	2,4	200	1	19,2
TRA300-H6-200-1250	3,0	1250	2,9	0,9	200	6	22,6
TRA350-H7-250-1000	3,5	1000	3,4	0,4	250	7	25,8
TRA400-H7-250-0750	4,0	750	3,9	0,9	250	7	29,2
TRA450-H7-300-0500	4,5	500	4,4	0,8	300	7	32,4
TRA500-H7-300-0500	5,0	500	4,9	1,3	300	7	35,8

TRA CATALOG NUMBER

TRA LLL-HH-MMM-QQQQ





hooks and shackles (sold separately)

TRB HEAVY ALUMINUM TRAVERSE BEAM

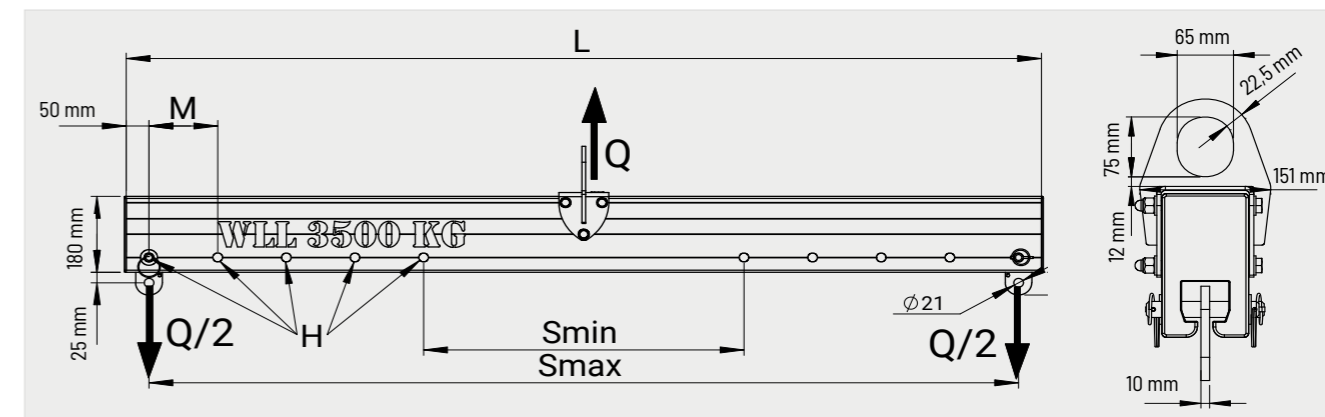
Beam, bottom hitches: aluminum
 Center hitch: galvanized steel, powder coated
 Cotters: galvanized steel

PARAMETERS OF AVAILABLE BEAMS:

		WEIGHT	LENGTH
TRB 100		16,8 kg	1,0 m
TRB 200		30,0 kg	2,0 m
TRB 300		43,0 kg	3,0 m
TRB 400		56,7 kg	4,0 m
TRB 500		70,1 kg	5,0 m

BEAMS ON INDIVIDUAL ORDER:

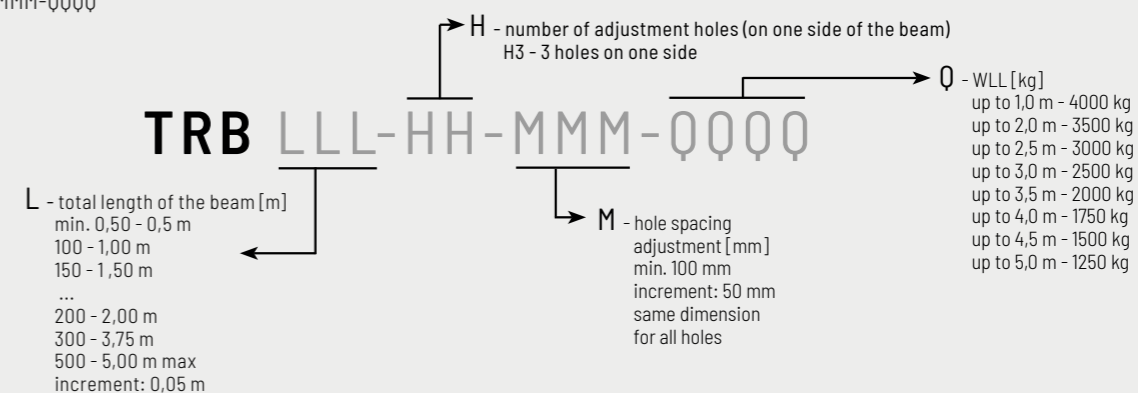
- the load carrying capacity (WLL) of the beam cannot be changed
 - possible increment of the total length of the beam „L” is 50 mm (0,05 m) (minimum value is 0,5 m / max. 5,0 m),
 - possible increment in the spacing of adjustment holes „M” is 50 mm (minimum value is 100 mm),
 - $S_{max} [m] = L [m] - 0,1 m$.
- Hooks and shackles are sold separately.



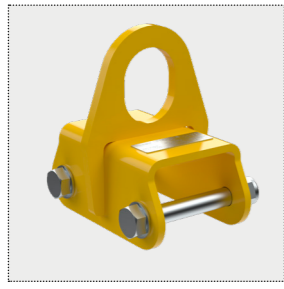
Part number	L beam length [m]	Q permissible load [kg]	S max [m]	S min [m]	M spacing holes in the adjustable beam [mm]	H number of adjustable openings (on one side)	WEIGHT [kg]
TRB050-H1-100-4000	0,5	4000	0,4	0,4	100	1	10,0
TRB100-H3-100-4000	1,0	4000	0,9	0,5	100	3	16,7
TRB150-H4-150-3500	1,5	3500	1,4	0,5	150	4	23,4
TRB200-H5-150-3500	2,0	3500	1,9	0,7	150	5	30,0
TRB250-H6-200-3000	2,5	3000	2,4	0,4	200	6	36,7
TRB250-H1-200-3000	2,5	3000	2,4	2,4	200	1	36,7
TRB300-H6-200-2500	3,0	2500	2,9	0,9	200	6	43,4
TRB350-H7-250-2000	3,5	2000	3,4	0,4	250	7	50,1
TRB400-H7-250-1750	4,0	1750	3,9	0,9	250	7	56,7
TRB450-H7-300-1500	4,5	1500	4,4	0,8	300	7	63,4
TRB500-H7-300-1250	5,0	1250	4,9	1,3	300	7	70,1

TRB CATALOG NUMBER

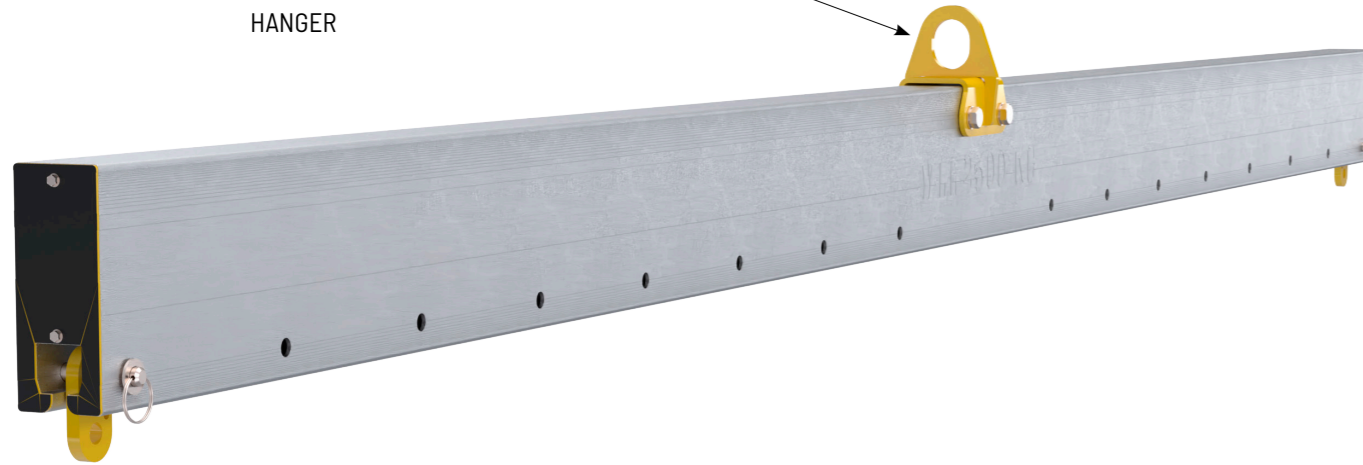
TRB LLL-HH-MMM-QQQQ



TRC200-200

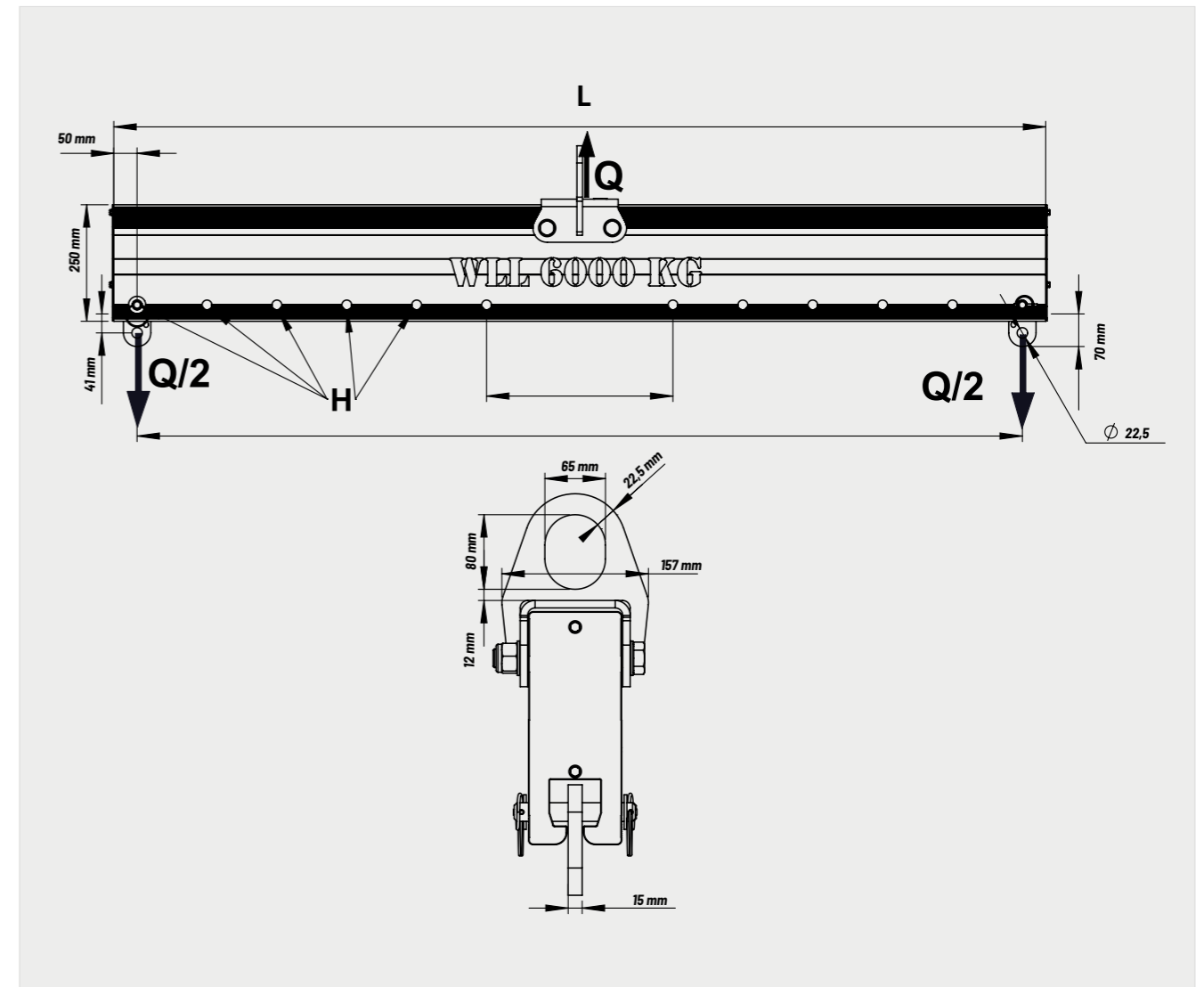


HANGER



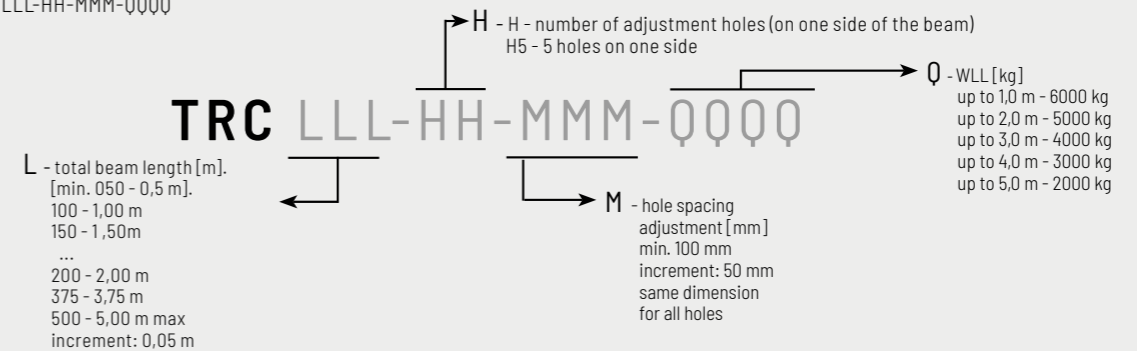
TRC HEAVY ALUMINUM TRAVERSE BEAM

Beam, bottom hitches: aluminum
 Center hitch: galvanized steel, powder coated
 Cotter: galvanized steel



TRC CATALOG NUMBER

TRC LLL-HH-MMM-QQQQ



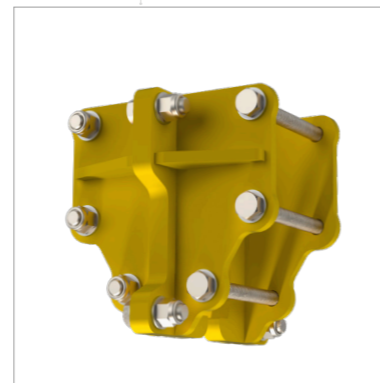
- WLL of the beam cannot be changed
- "L" Beam length increment: 0,05 m (min length 0,5 m / max length 5,0 m).
- "M" Adjustable hole spacing increment 50 mm (min length 100 mm).
- $S_{max} [m] = L [m] - 0,1 m$.

PARAMETERS OF AVAILABLE BEAMS:

	WEIGHT	LENGTH
TRC 100 	22,1 kg	1,0 m
TRC 200 	38,1 kg	2,0 m
TRC 300 	54,1 kg	3,0 m
TRC 400 	70,1 kg	4,0 m
TRC 500 	86,1 kg	5,0 m



TRD100-120
END SHACKLE
(STEEL SHACKLES INCLUDED)



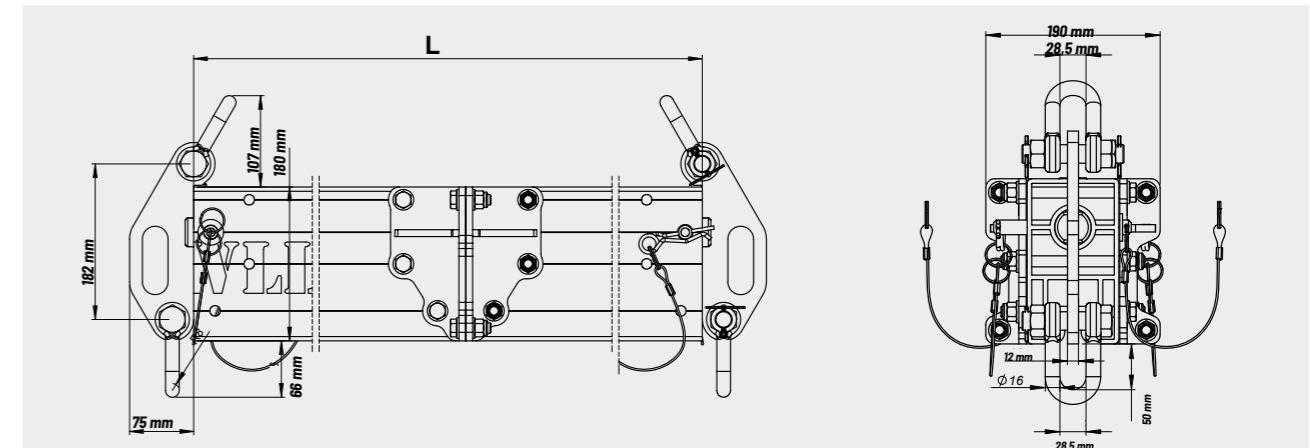
TRD100-115
CONNECTING MODULE

TRD ALUMINUM TRAVERSE MODULAR

Beam: aluminum
End shackle: galvanized steel, powder coated
Connecting module: powder-coated aluminum

BEAM LENGTH: 0,5 - 7,0 m

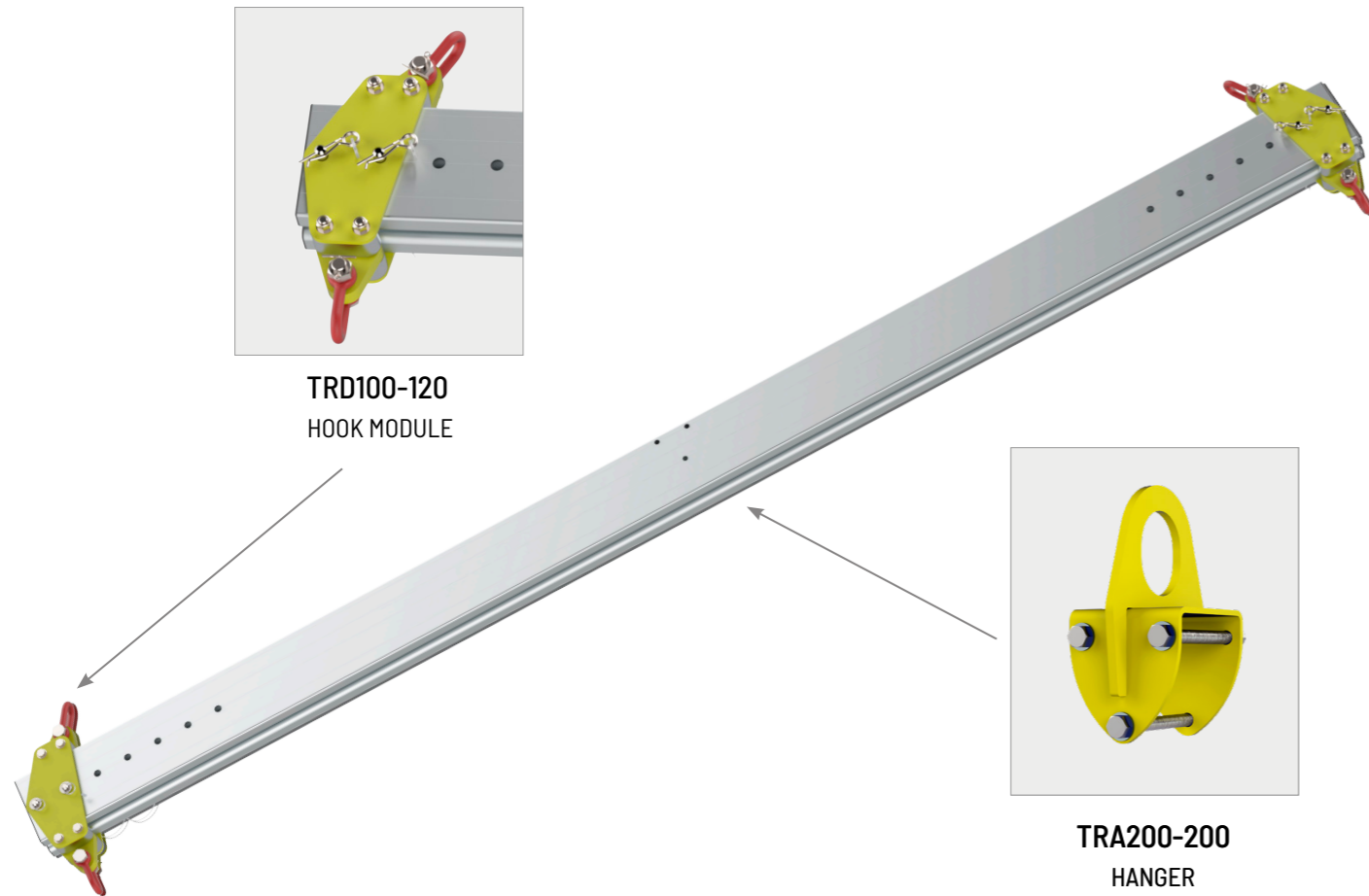
WLL: 3,0 T



NR. :	DESCRIPTION	WEIGHT
TRD100-115-000	module connector	2,35 kg
TRD100-120-000	end shackle	3,02 kg
TRD050-000-001	beam module length 0,5 m	6,68 kg
TRD100-000-001	beam module length 1,0 m	13,35 kg
TRD200-000-001	beam module length 2,0 m	26,70 kg

The TRD expansion beam has a modular design. Each beam consists of two end units equipped with shackle attachment points. The end unit can be mounting the on the beam using pins with a cotter. The beam span can be constructed with three partial beams (sizes: 0.5 / 1.0 / 2.0 m) using beam connectors.

Part number	L Beam length [m]	WLL permissible load working [kg]	WEIGHT [kg]					
				TRD050-000-001	TRD100-000-001	TRD200-000-001	TRD100-115-000	TRD100-120-000
TRD050-000-000	0,5	3000	12,7	1				2
TRD100-000-000	1,0	3000	19,4		1			2
TRD150-000-000	1,5	3000	28,4	1	1		1	2
TRD200-000-000	2,0	3000	32,7			1		2
TRD250-000-000	2,5	3000	41,8	1		1	1	2
TRD300-000-000	3,0	3000	48,4		1	1	1	2
TRD350-000-000	3,5	3000	57,5	1	1	1	2	2
TRD400-000-000	4,0	3000	59,4			2		2
TRD450-000-000	4,5	3000	68,5	1		2	1	2
TRD500-000-000	5,0	3000	75,1		1	2	1	2
TRD550-000-000	5,5	3000	84,2	1	1	2	2	2
TRD600-000-000	6,0	3000	86,1			3		2
TRD650-000-000	6,5	3000	95,2	1		3	1	2
TRD700-000-000	7,0	3000	99,5		1	3		2



TRD100-120
HOOK MODULE

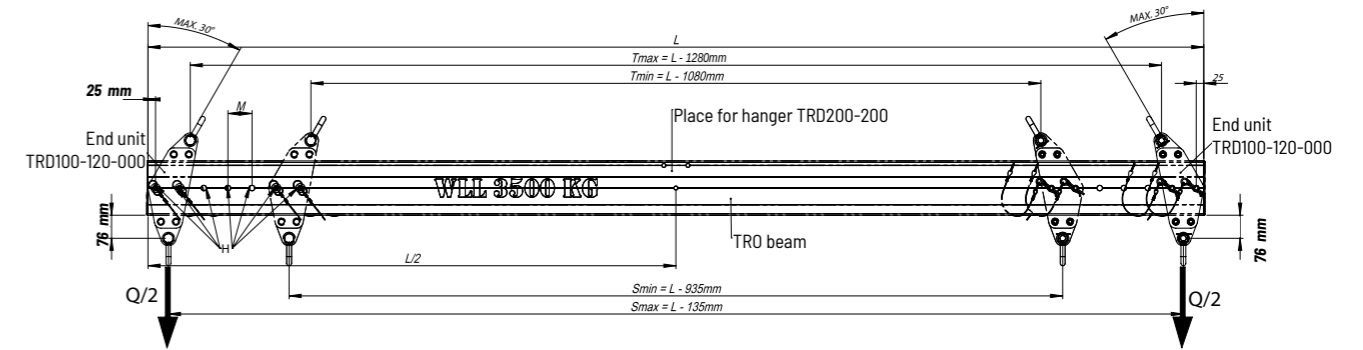
TRA200-200
HANGER

TRO

ONE-PIECE ALUMINIUM SPREADER BEAM

Beam, lower catch: aluminium
 Central catch: galvanized, powder-coated steel
 Cotter: zinc-anodized steel

BEAM LENGTH: 1.5 - 7.0 m
 WLL: 3,5 T

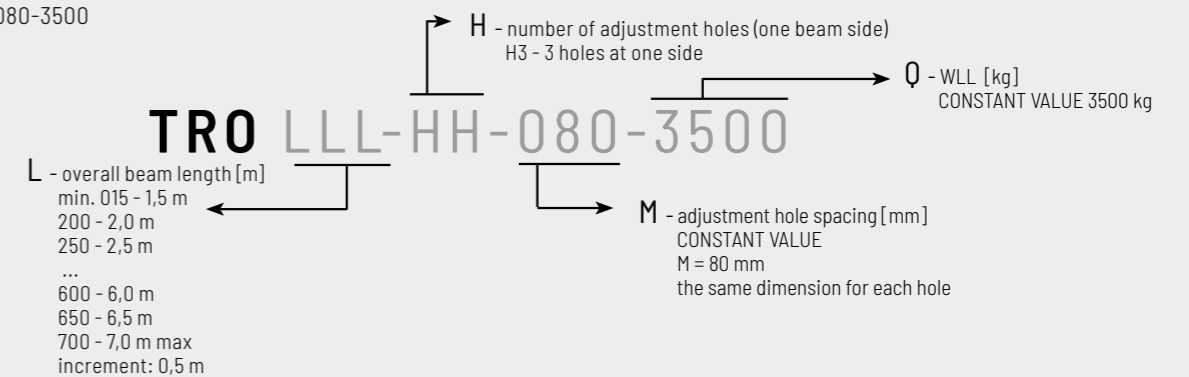


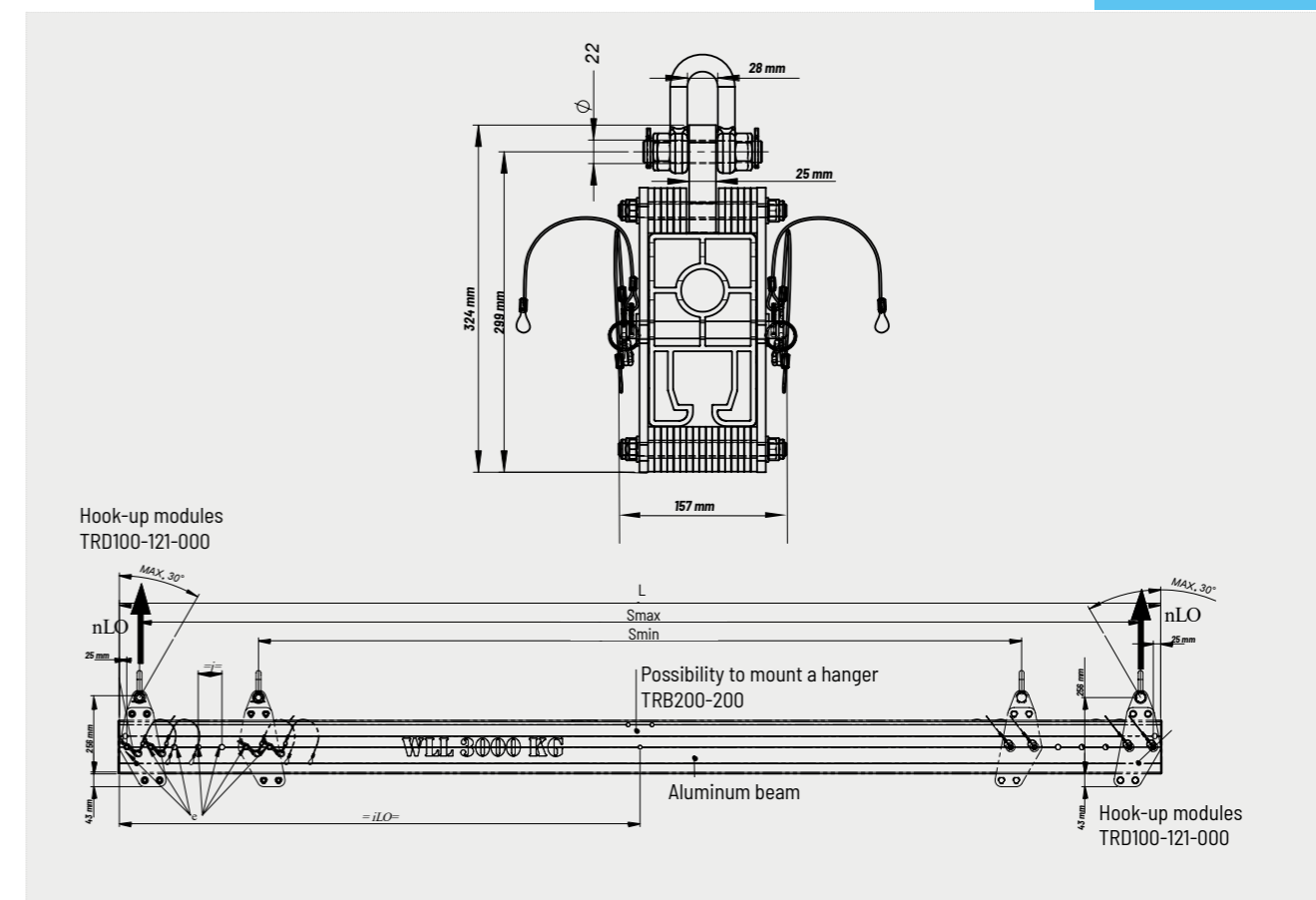
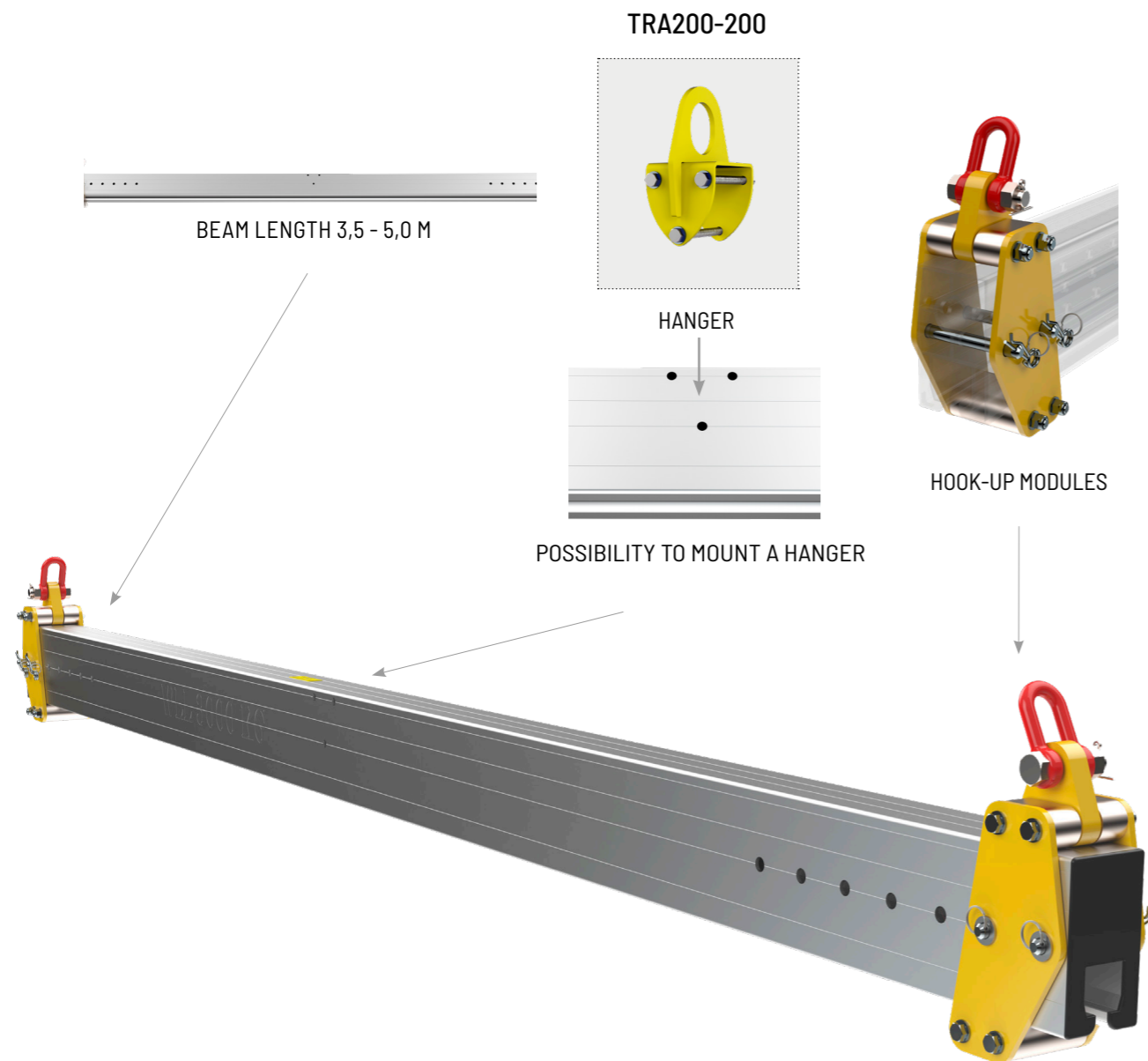
Part number	L beam length [m]	Q permissible load working [kg]	S max [m]	S min [m]	T max [m]	T min [m]	M spacing holes in the adjustable beam [mm]	H number of adjustable openings (on one side)	WEIGHT [kg]
TR0150-H7-080-3500	1,5	3500	1,365	0,565	1,22	0,42	080	7	31,4
TR0200-H7-080-3500	2,0	3500	1,865	1,065	1,72	0,92	080	7	38,1
TR0250-H7-080-3500	2,5	3500	2,365	1,565	2,22	1,42	080	7	44,8
TR0300-H7-080-3500	3,0	3500	2,865	2,065	2,72	1,92	080	7	51,4
TR0350-H7-080-3500	3,5	3500	3,365	2,565	3,22	2,42	080	7	58,1
TR0400-H7-080-3500	4,0	3500	3,865	3,065	3,72	2,92	080	7	64,8
TR0450-H7-080-3500	4,5	3500	4,365	3,565	4,22	3,42	080	7	71,5
TR0500-H7-080-3500	5,0	3500	4,865	4,065	4,72	3,92	080	7	78,1
TR0550-H7-080-3500	5,5	3500	5,365	4,565	5,22	4,42	080	7	84,8
TR0600-H7-080-3500	6,0	3500	5,865	5,065	5,72	4,92	080	7	91,5
TR0650-H7-080-3500	6,5	3500	6,365	5,565	6,22	5,42	080	7	98,2
TR0700-H7-080-3500	7,0	3500	6,865	6,065	6,72	5,92	080	7	104,8

The TRO series one-piece spreader beam is a load-bearing device designed for performing manipulation with suspended long loads with a maximum weight of "Q" [kg]. The total length of the beam is designated as "L" [m]. The span of the lower brackets of the TRD100-120-000 hitching module can be adjusted between "S max" and "S min" values with "M" [mm] increments in "H-2" hole positions (as can the span of the upper brackets "T max" and "T min"). A complete TRO beam includes an aluminum beam of the appropriate length and two TRD100-120-000 hitch modules with shackles. The maximum deviation from the vertical of the sling attached to the upper bracket should not exceed MAX 30°. In the central part of the beam it is possible to install a TRA200-200 central hitch.

TRO CATALOG NUMBER

TR0 350-H7-080-3500





Part number	L [m]	Q [kg]	S max [m]	S min [m]	T max [m]	T min [m]	M spacing between holes [mm]	H quantity holes on one side	WEIGHT [kg]
TRM350-H7-080-3500	3,5	3000	3,365	2,565	3,22	2,42	080	7	46,73
TRM500-H7-080-3000	5,0	3000	4,865	4,065	4,72	3,92	080	7	66,75

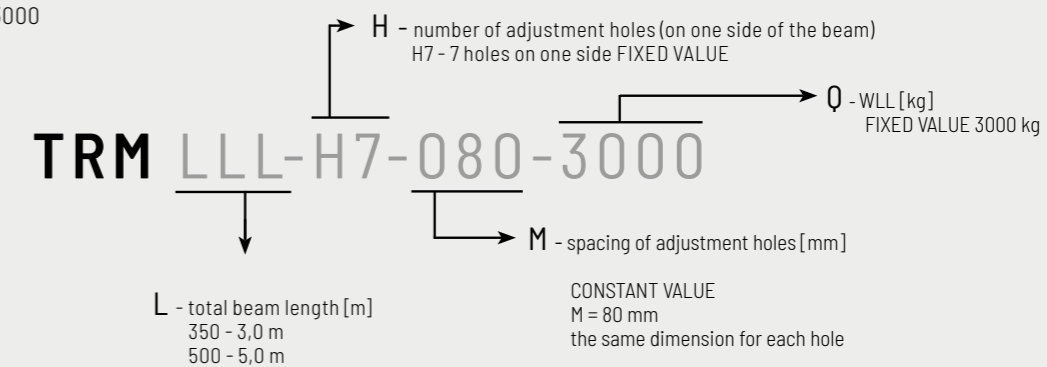
TRM MOBILE LIFTING BEAM

Beam, bottom hitch: aluminum
 Center hitch: galvanized steel, powder coated
 Cotters: galvanized steel

BEAM LENGTH: 3,0 or 5,0 m
 WLL: 3,0 T

TRM CATALOG NUMBER

TRM LLL-H7-080-3000



WEBBING SLINGS LIFTING PRODUCTS



WS

duplex webbing slings



Duplex webbing slings

WS

MAIN ADVANTAGES OF DUPLEX WEBBING SLINGS

- large loading capacity
- low own weight
- convenient storage
- resistance to most non-organic acids
- wide range of working temperatures (-40°C to +100°C)
- lifting of fragile loads

7:1 SAFETY FACTOR EN 1492-1

In order to identify load capacity slings are manufactured in specified colours in accordance with EN 1492-1.

SLINGS AVAILABLE
AS A STANDARD
0.5T TO 10T

ON REQUEST
WE MANUFACTURE SLINGS
WITH
LOADING CAPACITY
12, 15, 20 TONS

Number of black threads and sling colour determine the Working Load Limit (WLL) 1T to 10T






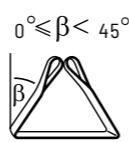
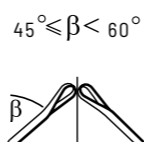
POLYESTER WEBBING

The product has DGUV
and GS Certificate.
Notified Body
BGHM Germany.



PROTECTION LOOP

TABLE OF WORKING LOAD LIMITS (WLL)

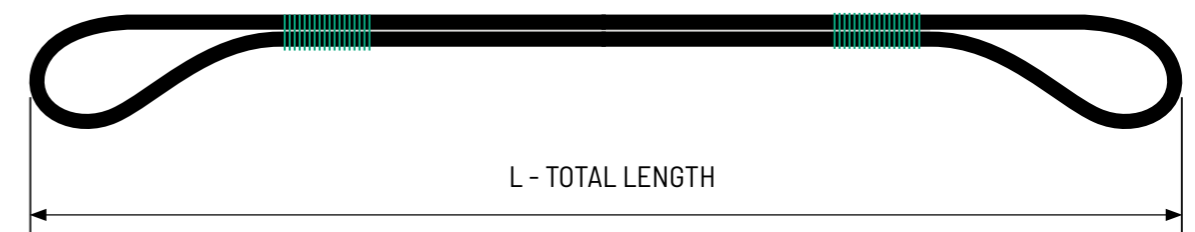
	WLL					
					1,4 WLL	1 WLL
7:1 SAFETY FACTOR EN 1492-1						
	WLL	WLL	0,8 WLL	2 WLL	1,4 WLL	1 WLL
BLACK	0,5 T	500	400	1000	700	500
PURPLE	1 T	1000	800	2000	1400	1000
GREEN	2 T	2000	1600	4000	2800	2000
YELLOW	3 T	3000	2400	6000	4200	3000
GREY	4 T	4000	3200	8000	5600	4000
RED	5 T	5000	4000	10000	7000	5000
BROWN	6 T	6000	4800	12000	8400	6000
BLUE	8 T	8000	6400	16000	11200	8000
ORANGE	10 T	10000	8000	20000	14000	10000
ORANGE	12 T	12000	9600	24000	16800	12000
ORANGE	15 T	15000	12000	30000	21000	15000
ORANGE	20 T	20000	16000	40000	28000	20000



STANDARD VARIANTS

	WLL	L - OVERALL LENGTH									
		0,5 m	1 m	2 m	3 m	4 m	5 m	6 m	8 m	10 m	12 m
BLACK	0.5 T	☑ WS 005 50	☑ WS 005 01	☑ WS 005 02	☑ WS 005 03	☑ WS 005 04	☑ WS 005 05	☑ WS 005 06	☑ WS 005 08	☑ WS 005 10	☑ WS 005 12
PURPLE	1 T	☑ WS 010 50	☑ WS 010 01	☑ WS 010 02	☑ WS 010 03	☑ WS 010 04	☑ WS 010 05	☑ WS 010 06	☑ WS 010 08	☑ WS 010 10	☑ WS 010 12
GREEN	2 T	☑ WS 020 50	☑ WS 020 01	☑ WS 020 02	☑ WS 020 03	☑ WS 020 04	☑ WS 020 05	☑ WS 020 06	☑ WS 020 08	☑ WS 020 10	☑ WS 020 12
YELLOW	3 T		☑ WS 030 01	☑ WS 030 02	☑ WS 030 03	☑ WS 030 04	☑ WS 030 05	☑ WS 030 06	☑ WS 030 08	☑ WS 030 10	☑ WS 030 12
GREY	4 T			☑ WS 040 02	☑ WS 040 03	☑ WS 040 04	☑ WS 040 05	☑ WS 040 06	☑ WS 040 08	☑ WS 040 10	☑ WS 040 12
RED	5 T			☑ WS 050 02	☑ WS 050 03	☑ WS 050 04	☑ WS 050 05	☑ WS 050 06	☑ WS 050 08	☑ WS 050 10	☑ WS 050 12
BROWN	6 T			☑ WS 060 02	☑ WS 060 03	☑ WS 060 04	☑ WS 060 05	☑ WS 060 06	☑ WS 060 08	☑ WS 060 10	☑ WS 060 12
BLUE	8 T			☑ WS 080 02	☑ WS 080 03	☑ WS 080 04	☑ WS 080 05	☑ WS 080 06	☑ WS 080 08	☑ WS 080 10	☑ WS 080 12
ORANGE	10 T			☑ WS 100 02	☑ WS 100 03	☑ WS 100 04	☑ WS 100 05	☑ WS 100 06	☑ WS 100 08	☑ WS 100 10	☑ WS 100 12
ORANGE	12 T				☑ WS 120 03	☑ WS 120 04	☑ WS 120 05	☑ WS 120 06	☑ WS 120 08	☑ WS 120 10	☑ WS 120 12
ORANGE	15 T				☑ WS 150 03	☑ WS 150 04	☑ WS 150 05	☑ WS 150 06	☑ WS 150 08	☑ WS 150 10	☑ WS 150 12
ORANGE	20 T				☑ WS 200 03	☑ WS 200 04	☑ WS 200 05	☑ WS 200 06	☑ WS 200 08	☑ WS 200 10	☑ WS 200 12

The 0.5T slings come in 2 strap widths and colors. Custom lengths available on individual request .



MAIN ADVANTAGES OF ROUND TUBULAR SLINGS

- large loading capacity
- low own weight
- convenient storage
- resistance to most non-organic acids
- wide range of working temperatures (-40°C to +100°C)
- lifting of fragile loads

EN 1492-2

7:1 SAFETY FACTOR

In order to identify load capacity slings are manufactured in specified colours in accordance with EN 1492-2.

TUBULAR COVER MADE OF POLYESTER

SLINGS AVAILABLE AS A STANDARD 0.5T TO 10T

ON REQUEST WE MANUFACTURE SLINGS WITH LOADING CAPACITY UP TO 40 TONS

Number of black threads and sling colour determine the Working Load Limit (WLL) 1T to 10T



The product has DGUV and GS Certificate. Notified Body BGHM Germany.



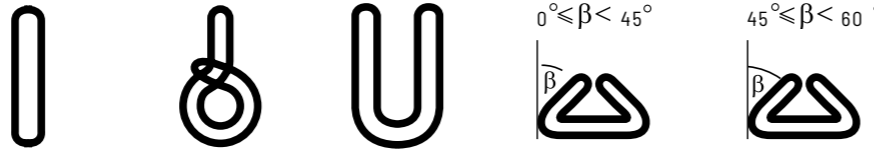
WE HAVE OUR OWN LABORATORY

ES

round tubular slings

TABLE OF WORKING LOAD LIMITS (WLL)

7:1 SECURITY FACTOR
EN 1492-2



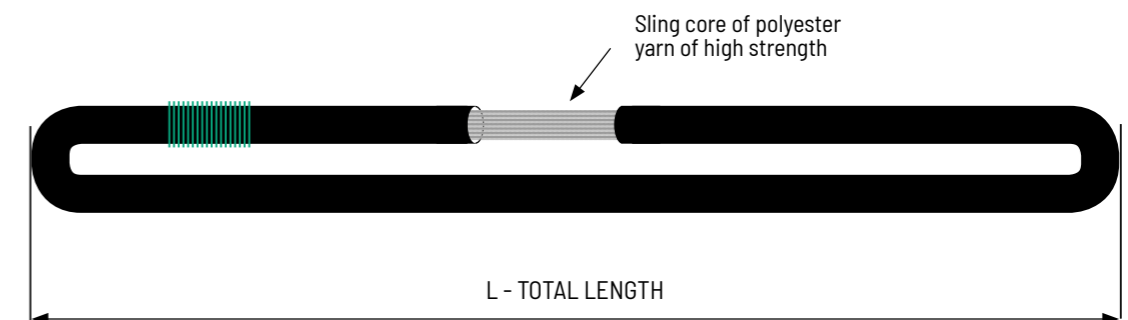
	WLL	WLL	0,8 WLL	2 WLL	1,4 WLL	1 WLL
PURPLE	1 T	1000	800	2000	1400	1000
GREEN	2 T	2000	1600	4000	2800	2000
YELLOW	3 T	3000	2400	6000	4200	3000
GREY	4 T	4000	3200	8000	5600	4000
RED	5 T	5000	4000	10000	7000	5000
BROWN	6 T	6000	4800	12000	8400	6000
BLUE	8 T	8000	6400	16000	11200	8000
ORANGE	10 T	10000	8000	20000	14000	10000
ORANGE	12 T	12000	9600	24000	16800	12000
ORANGE	15 T	15000	12000	30000	21000	15000
ORANGE	20 T	20000	16000	40000	28000	20000
ORANGE	30 T	30000	24000	60000	42000	30000
ORANGE	40 T	40000	32000	80000	56000	40000

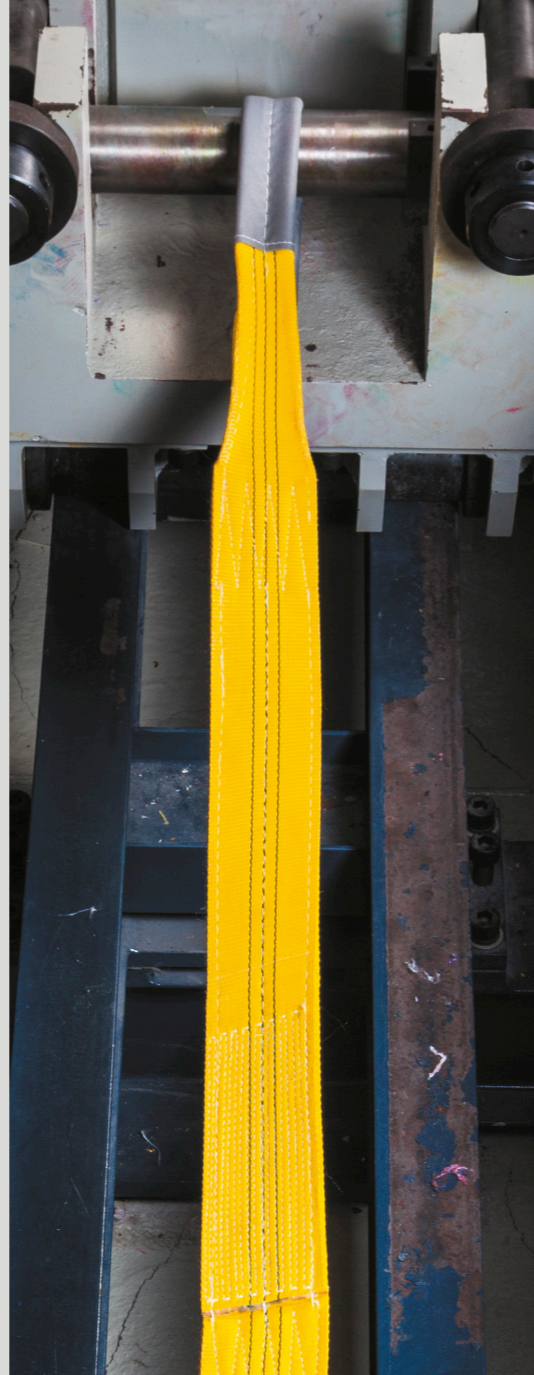
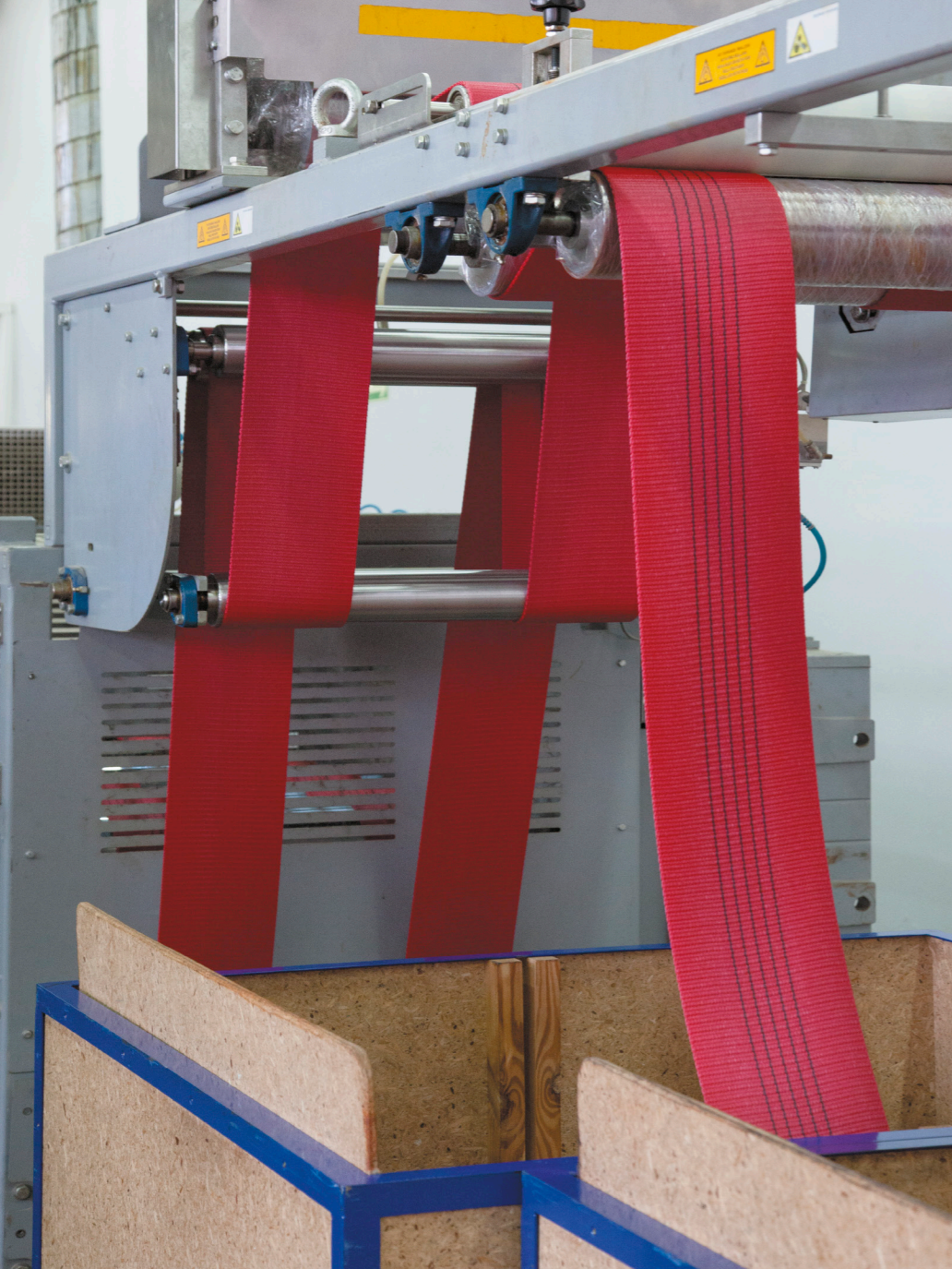


STANDARD VARIANTS

		L - OVERALL LENGTH									
	WLL	0,5 m	1 m	2 m	3 m	4 m	5 m	6 m	8 m	10 m	12 m
PURPLE	1 T	✓ ES 010 50	✓ ES 010 01	✓ ES 010 02	✓ ES 010 03	✓ ES 010 04	✓ ES 010 05	✓ ES 010 06	✓ ES 010 08	✓ ES 010 10	✓ ES 010 12
GREEN	2 T	✓ ES 020 50	✓ ES 020 01	✓ ES 020 02	✓ ES 020 03	✓ ES 020 04	✓ ES 020 05	✓ ES 020 06	✓ ES 020 08	✓ ES 020 10	✓ ES 020 12
YELLOW	3 T	✓ ES 030 50	✓ ES 030 01	✓ ES 030 02	✓ ES 030 03	✓ ES 030 04	✓ ES 030 05	✓ ES 030 06	✓ ES 030 08	✓ ES 030 10	✓ ES 030 12
GREY	4 T	✓ ES 040 50	✓ ES 040 01	✓ ES 040 02	✓ ES 040 03	✓ ES 040 04	✓ ES 040 05	✓ ES 040 06	✓ ES 040 08	✓ ES 040 10	✓ ES 040 12
RED	5 T	✓ ES 050 50	✓ ES 050 01	✓ ES 050 02	✓ ES 050 03	✓ ES 050 04	✓ ES 050 05	✓ ES 050 06	✓ ES 050 08	✓ ES 050 10	✓ ES 050 12
BROWN	6 T		✓ ES 060 01	✓ ES 060 02	✓ ES 060 03	✓ ES 060 04	✓ ES 060 05	✓ ES 060 06	✓ ES 060 08	✓ ES 060 10	✓ ES 060 12
BLUE	8 T		✓ ES 080 01	✓ ES 080 02	✓ ES 080 03	✓ ES 080 04	✓ ES 080 05	✓ ES 080 06	✓ ES 080 08	✓ ES 080 10	✓ ES 080 12
ORANGE	10 T		✓ ES 100 01	✓ ES 100 02	✓ ES 100 03	✓ ES 100 04	✓ ES 100 05	✓ ES 100 06	✓ ES 100 08	✓ ES 100 10	✓ ES 100 12
ORANGE	12 T			✓ ES 120 02	✓ ES 120 03	✓ ES 120 04	✓ ES 120 05	✓ ES 120 06	✓ ES 120 08	✓ ES 120 10	✓ ES 120 12
ORANGE	15 T			✓ ES 150 02	✓ ES 150 03	✓ ES 150 04	✓ ES 150 05	✓ ES 150 06	✓ ES 150 08	✓ ES 150 10	✓ ES 150 12
ORANGE	20 T			✓ ES 200 02	✓ ES 200 03	✓ ES 200 04	✓ ES 200 05	✓ ES 200 06	✓ ES 200 08	✓ ES 200 10	✓ ES 200 12
ORANGE	30 T			✓ ES 300 02	✓ ES 300 03	✓ ES 300 04	✓ ES 300 05	✓ ES 300 06	✓ ES 300 08	✓ ES 300 10	✓ ES 300 12
ORANGE	40 T			✓ ES 400 02	✓ ES 400 03	✓ ES 400 04	✓ ES 400 05	✓ ES 400 06	✓ ES 400 08	✓ ES 400 10	✓ ES 400 12

Custom lengths are available on request.





WE HAVE
OUR OWN
LABORATORY

SW

Single layer
webbing slings

Single layer webbing slings

SW

MAIN ADVANTAGES OF SINGLE LAYER WEBBING SLINGS

- large loading capacity
- low own weight
- convenient storage
- resistance to most non-organic acids
- wide range of working temperatures (-40°C to +100°C)
- lifting of fragile loads

7:1 SAFETY FACTOR EN 1492-1

In order to identify load capacity slings are manufactured in specified colours in accordance with EN 1492-1.

Number of black threads and sling colour determine the Working Load Limit (WLL) 1T to 10T

TUBULAR COVER

POLYESTER WEBBING

SLING CORE
OF POLYESTER
YARN OF HIGH STRENGTH

The product has **DGUV** and **GS Certificate**.
Notified Body
BGHM Germany.

SLINGS AVAILABLE
AS A STANDARD
0.5T TO 10T

ON REQUEST
WE MANUFACTURE SLINGS
WITH LOADING CAPACITY
UP TO 40 TONS

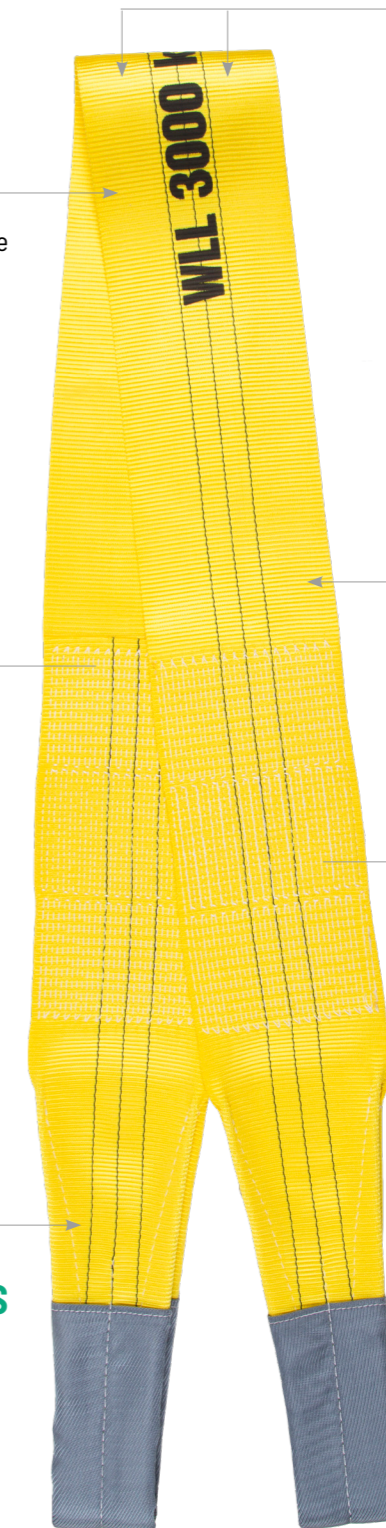



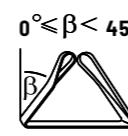
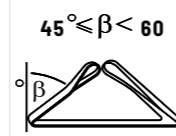





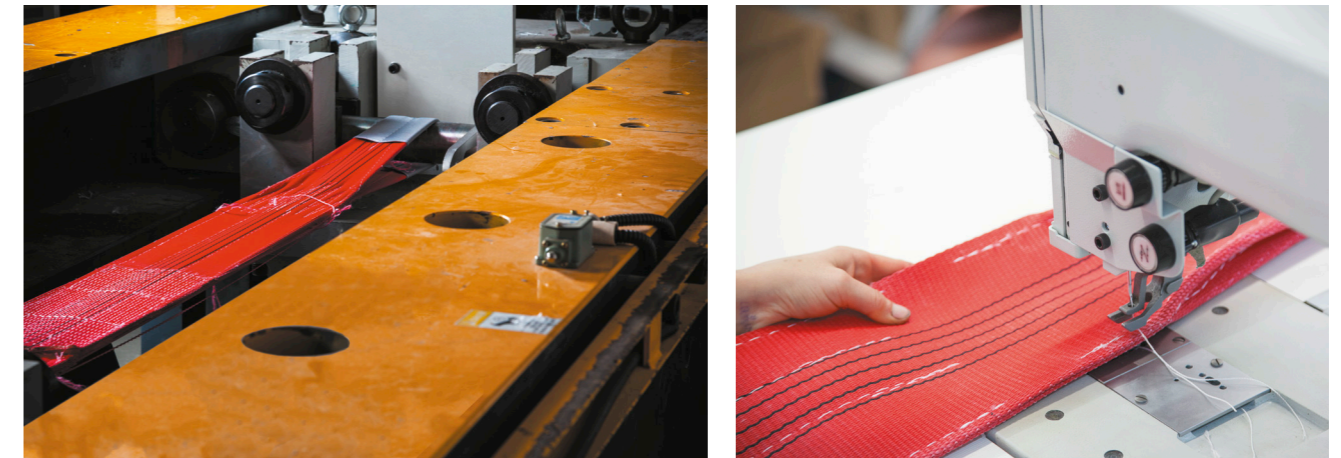
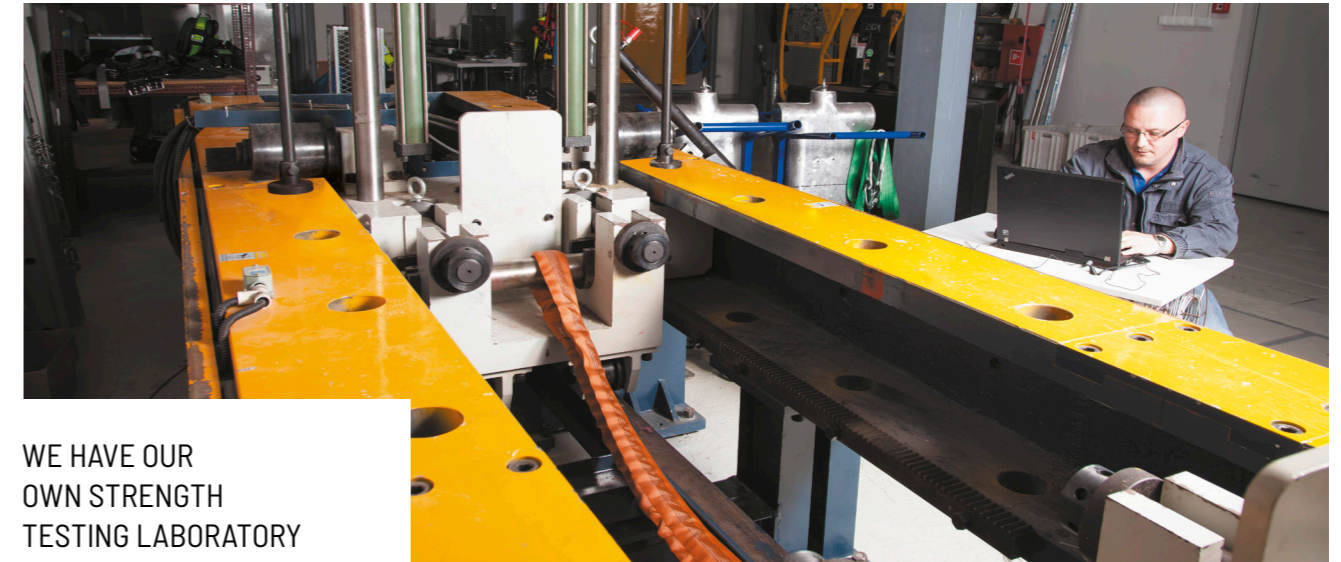







TABLE OF WORKING LOAD LIMITS (WLL)

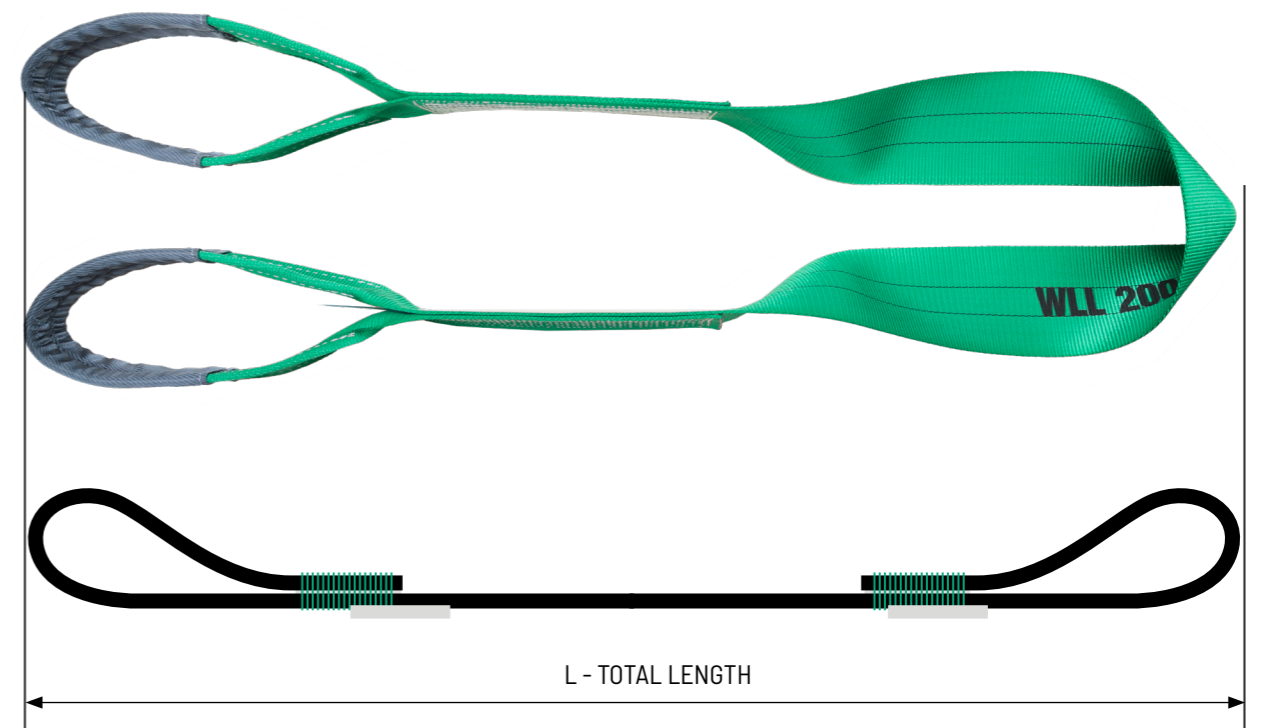
					 $0^\circ \leq \beta < 45^\circ$	 $45^\circ \leq \beta < 60^\circ$	
	DOR	WLL	0,8 WLL	2 WLL	1,4 WLL	1 WLL	
	PURPLE	1 T	1000	800	2000	1400	1000
	GREEN	2 T	2000	1600	4000	2800	2000
	YELLOW	3 T	3000	2400	6000	4200	3000
	GREY	4 T	4000	3200	8000	5600	4000
	RED	5 T	5000	4000	10000	7000	5000



STANDARD VARIANTS

		L - OVERALL LENGTH										
	WLL	0,5 m	1 m	2 m	3 m	4 m	5 m	6 m	8 m	10 m	12 m	
	PURPLE	1 T	☑ SW 010 50	☑ SW 010 01	☑ SW 010 02	☑ SW 010 03	☑ SW 010 04	☑ SW 010 05	☑ SW 010 06	☑ SW 010 08	☑ SW 010 10	☑ SW 010 12
	GREEN	2 T		☑ SW 020 01	☑ SW 020 02	☑ SW 020 03	☑ SW 020 04	☑ SW 020 05	☑ SW 020 06	☑ SW 020 08	☑ SW 020 10	☑ SW 020 12
	YELLOW	3 T			☑ SW 030 02	☑ SW 030 03	☑ SW 030 04	☑ SW 030 05	☑ SW 030 06	☑ SW 030 08	☑ SW 030 10	☑ SW 030 12
	GREY	4 T			☑ SW 040 02	☑ SW 040 03	☑ SW 040 04	☑ SW 040 05	☑ SW 040 06	☑ SW 040 08	☑ SW 040 10	☑ SW 040 12
	RED	5 T			☑ SW 050 02	☑ SW 050 03	☑ SW 050 04	☑ SW 050 05	☑ SW 050 06	☑ SW 050 08	☑ SW 050 10	☑ SW 050 12

Slings 0.5T come in 2 webbing widths and colours. Custom lengths are available on request.



EW

flat endless webbing slings

- large loading capacity
- low own weight
- convenient storage
- resistance to most non-organic acids
- wide range of working temperatures (-40°C to +100°C)
- lifting of fragile loads

Number of black threads and sling colour determine the Working Load Limit (WLL) od 1T do 10T

7:1 SAFETY FACTOR EN 1492-1

In order to identify load capacity slings are manufactured in specified colours in accordance with EN 1492-1.

SLINGS AVAILABLE AS A STANDARD 0.5T TO 10T

ON REQUEST WE MANUFACTURE SLINGS WITH LOADING CAPACITY 12, 16, 20 TONS

The product has DGUV and GS Certificate. Notified Body BGHM Germany.

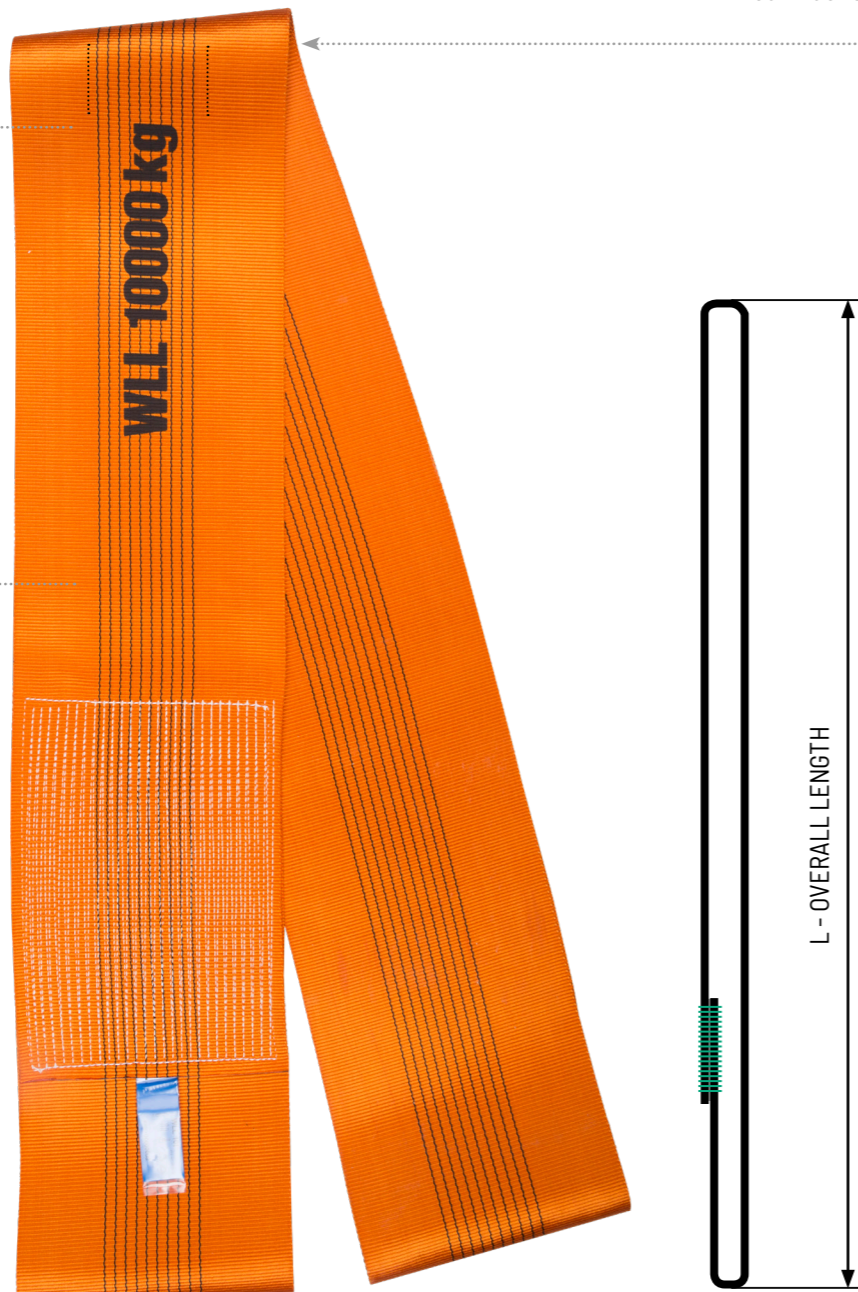


TABLE OF WORKING LOAD LIMITS (WLL)

EN 1492-1 7:1

	WLL	WLL	0,8 WLL	2 WLL	1,4 WLL	1 WLL	
BLACK	0,5 T	500	400	1000	700	500	
PURPLE	1 T	1000	800	2000	1400	1000	
GREEN	2 T	2000	1600	4000	2800	2000	
YELLOW	3 T	3000	2400	6000	4200	3000	
GREY	4 T	4000	3200	8000	5600	4000	
RED	5 T	5000	4000	10000	7000	5000	
BROWN	6 T	6000	4800	12000	8400	6000	
BLUE	8 T	8000	6400	16000	11200	8000	
ORANGE	10 T	10000	8000	20000	14000	10000	

	DOR	L - TOTAL LENGTH									
		0,5 m	1 m	2 m	3 m	4 m	5 m	6 m	8 m	10 m	12 m
BLACK	0,5 T	☑ EW 005 01	☑ EW 005 01	☑ EW 005 02	☑ EW 005 03	☑ EW 005 04	☑ EW 005 05	☑ EW 005 06	☑ EW 005 08	☑ EW 005 10	☑ EW 005 12
PURPLE	1 T		☑ EW 010 01	☑ EW 010 02	☑ EW 010 03	☑ EW 010 04	☑ EW 010 05	☑ EW 010 06	☑ EW 010 08	☑ EW 010 10	☑ EW 010 12
GREEN	2 T		☑ EW 020 01	☑ EW 020 02	☑ EW 020 03	☑ EW 020 04	☑ EW 020 05	☑ EW 020 06	☑ EW 020 08	☑ EW 020 10	☑ EW 020 12
YELLOW	3 T			☑ EW 030 02	☑ EW 030 03	☑ EW 030 04	☑ EW 030 05	☑ EW 030 06	☑ EW 030 08	☑ EW 030 10	☑ EW 030 12
GREY	4 T			☑ EW 040 02	☑ EW 040 03	☑ EW 040 04	☑ EW 040 05	☑ EW 040 06	☑ EW 040 08	☑ EW 040 10	☑ EW 040 12
RED	5 T			☑ EW 050 02	☑ EW 050 03	☑ EW 050 04	☑ EW 050 05	☑ EW 050 06	☑ EW 050 08	☑ EW 050 10	☑ EW 050 12
BROWN	6 T			☑ EW 060 02	☑ EW 060 03	☑ EW 060 04	☑ EW 060 05	☑ EW 060 06	☑ EW 060 08	☑ EW 060 10	☑ EW 060 12
BLUE	8 T			☑ EW 080 02	☑ EW 080 03	☑ EW 080 04	☑ EW 080 05	☑ EW 080 06	☑ EW 080 08	☑ EW 080 10	☑ EW 080 12
ORANGE	10 T			☑ EW 100 02	☑ EW 100 03	☑ EW 100 04	☑ EW 100 05	☑ EW 100 06	☑ EW 100 08	☑ EW 100 10	☑ EW 100 12

MS stage rigging slings with steel cable core

Manufactured in accordance to EN 1492-2 and EN 13414-2

5:1 SAFETY FACTOR

MAIN APPLICATION:

- Entertainment industry, perfect for concealed suspension of stage equipment.
- Applications requiring slings of improved resistance to temperature and cutting.

EASY TO USE:

- No spare rigging required.
- Special viewing window facilitates inspection of steel cable condition.
- Unique softness and flexibility enables easy installation.

SAFETY:

- Wide working range in high and low temperatures.
- Improved resistance to high temperatures and cutting compared to standard textile core slings.
- Softer, more flexible and lighter than standard steel slings, chain slings.
- Safety Factor 5:1.

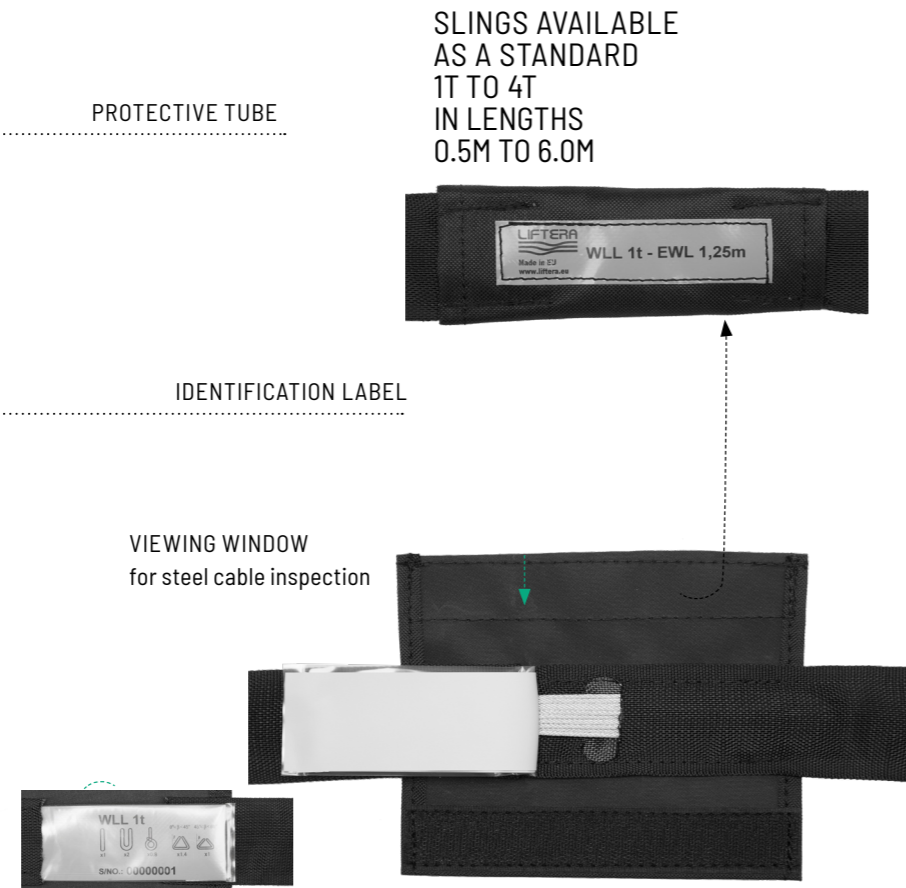


TABLE OF WORKING LOAD LIMITS (WLL)

Manufactured in accordance with EN 1492-2 i EN 13414-2

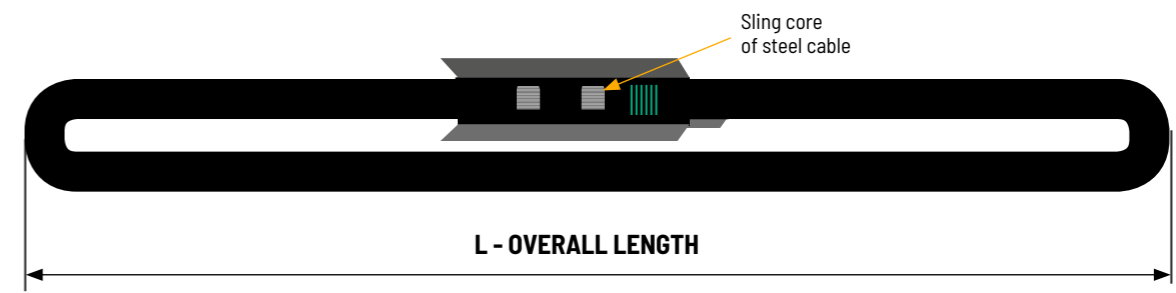
5:1 SAFETY FACTOR

	DOR	WLL	0,8 WLL	2 WLL	$0^\circ \leq \beta < 45^\circ$	$45^\circ \leq \beta < 60^\circ$
					1,4 WLL	1 WLL
BLACK	1 T	1000	800	2000	1400	1000
BLACK	2 T	2000	1600	4000	2800	2000
BLACK	3 T	3000	2400	6000	4200	3000
BLACK	4 T	4000	3200	8000	5600	4000

STANDARD VARIANTS

	WLL	L - OVERALL LENGTH							
		0,5 m	1,0 m	1,5 m	2,0 m	3,0 m	4,0 m	5,0 m	6 m
BLACK	1 T	☑ MS 010 05	☑ MS 010 10	☑ MS 010 15	☑ MS 010 20	☑ MS 010 30	☑ MS 010 40	☑ MS 010 50	☑ MS 010 60
BLACK	2 T	☑ MS 020 05	☑ MS 020 10	☑ MS 020 15	☑ MS 020 20	☑ MS 020 30	☑ MS 020 40	☑ MS 020 50	☑ MS 020 60
BLACK	3 T		☑ MS 030 10	☑ MS 030 15	☑ MS 030 20	☑ MS 030 30	☑ MS 030 40	☑ MS 030 50	☑ MS 030 60
BLACK	4 T		☑ MS 040 10	☑ MS 040 15	☑ MS 040 20	☑ MS 040 30	☑ MS 040 40	☑ MS 040 50	☑ MS 040 60

Custom lengths are available on request.

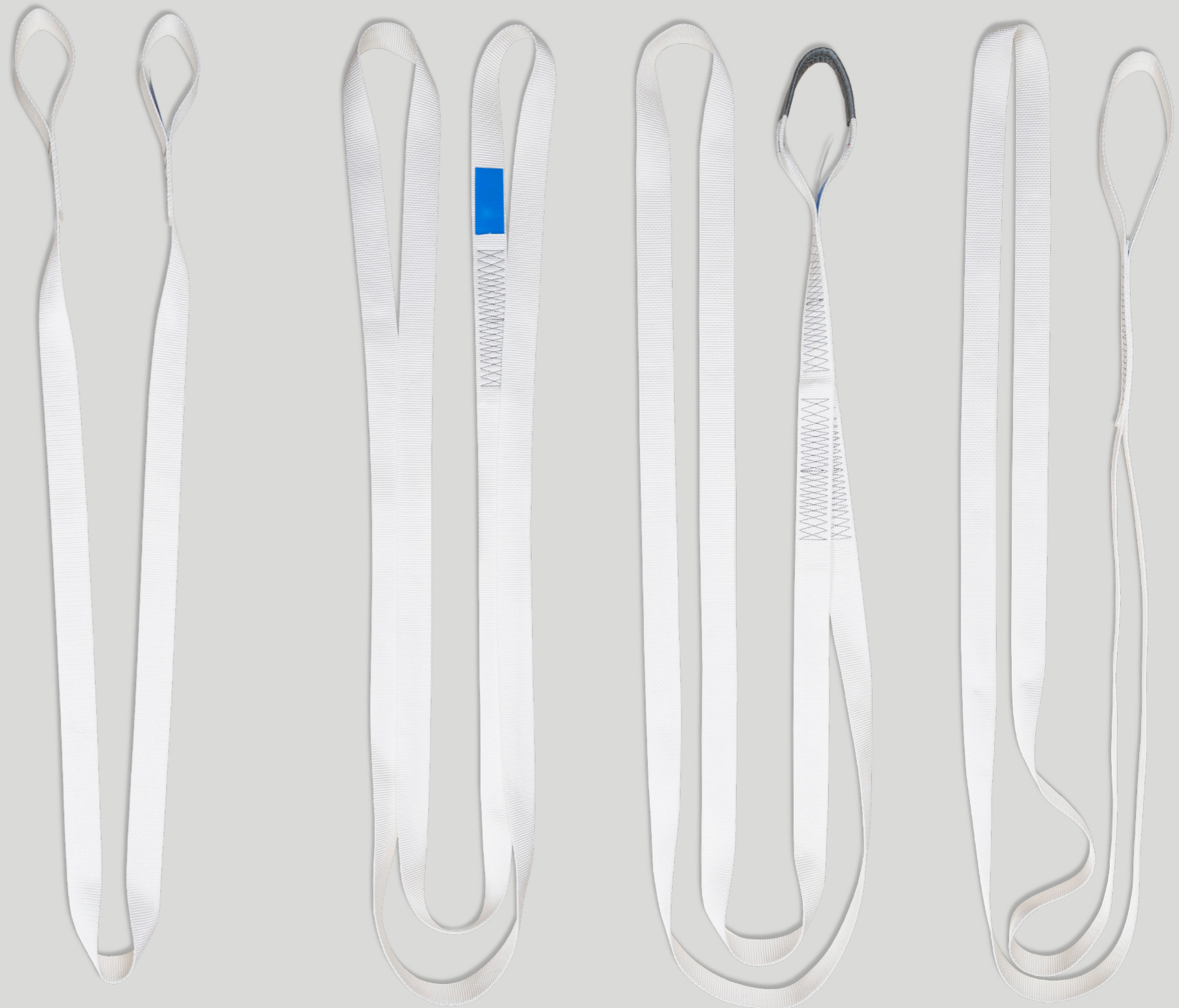


The product has DGUV Certificate - Notified Body BGHM Germany. Meets strict requirements of German sector-specific regulations BGV-C1 for stage applications.

7:1 or 5:1 SAFETY
EN 1492-1 FACTOR

single use slings

- conform to harmonized standard EN 1492-1
- Safety Factor 7:1 or 5:1
- can be used as an integral part of the load
- size and length according to customer's needs
- material: 100% PES
- product colour: white



Single use slings
are available on request

Flame-retardant slings

7:1 or 5:1 SAFETY FACTOR

flame-retardant slings

EN 1492-1

- manufactured in accordance to EN 1492-1
- Safety Factor 7:1 or 5:1
- size and length according to order
- material: 100% aramid
- sewn in flame-retardant strands

Flame-retardant slings are available on request



SLING

PROTECTIVE SLEEVE

PROTECTIVE SLEEVES

for lifting slings

- protection against abrasion and soiling
- protection against premature wear of sling
- additional protection of surfaces on fragile loads
- made from polyester sling webbing

Length: 50 cm

Material: polyester

protective sleeves

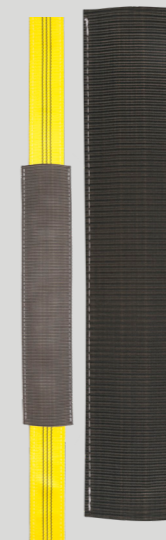
CS 010
for slings
WS 1T



CS 020
for slings
WS 2T
SW 1T



CS 030
for slings
WS 3T



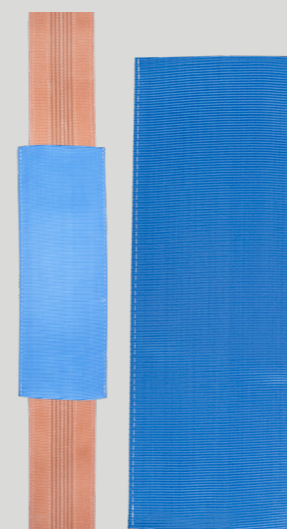
CS 040
for slings
WS 4T
SW 2T



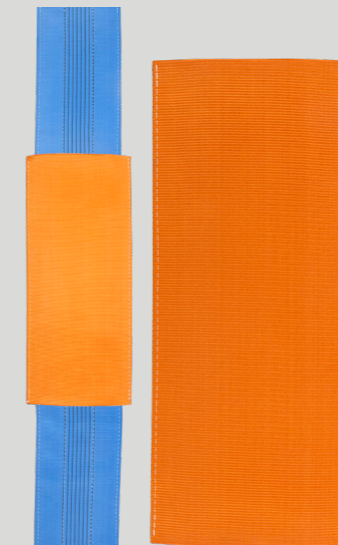
CS 050
for slings
WS 5T



CS 060
for slings
WS 6T
SW 3T

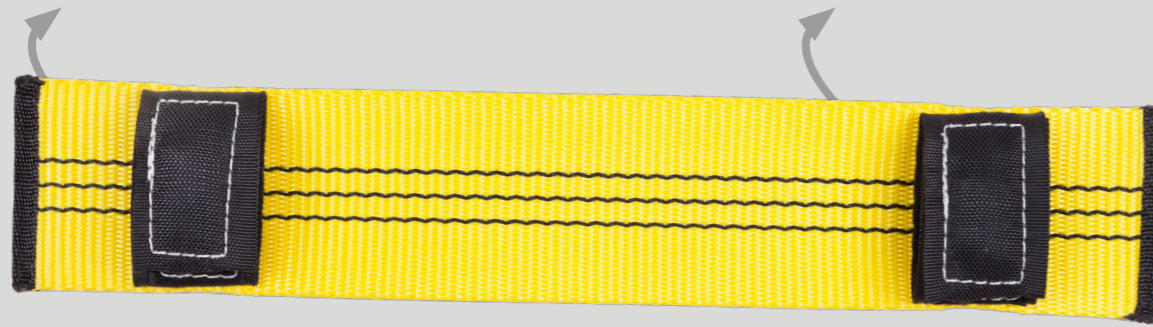


CS 080
for slings
WS 8T
SW 4T



CS 100
for slings
WS 10T
SW 5T





PROTECTIVE SLEEVE



UNIVERSAL PROTECTIVE SLEEVES

for lifting slings

- protection against abrasion and soiling
- protection against premature wear of sling
- additional protection of surfaces on fragile loads
- made from polyester sling webbing

Length: 50 cm

Material: polyester

CZ 010
for slings 1T



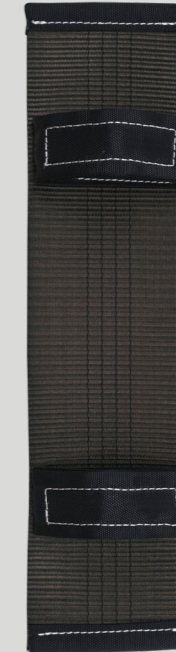
CZ 020
for slings 2T



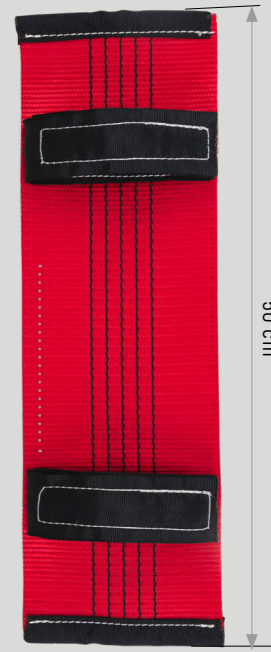
CZ 030
for slings 3T



CZ 040
for slings 4T



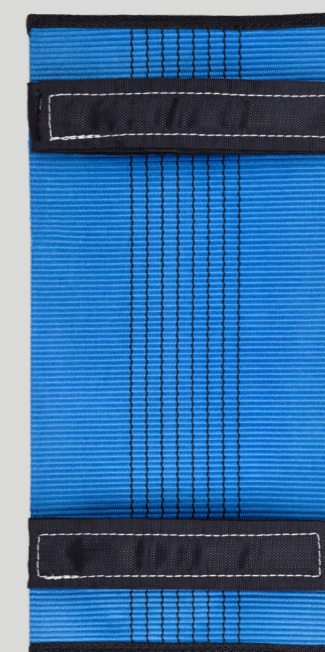
CZ 050
for slings 5T



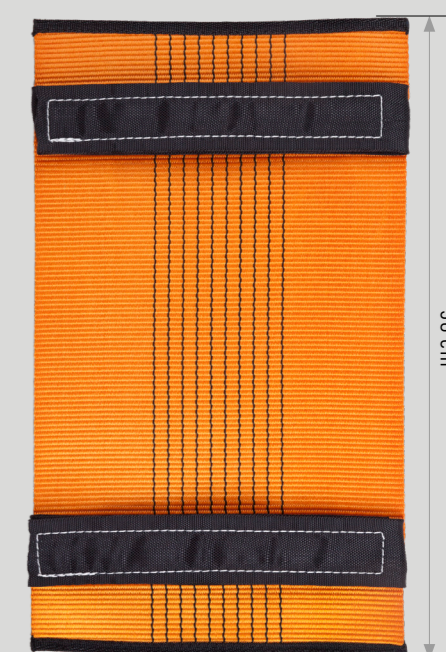
CZ 060
for slings 6T



CZ 080
for slings 8T



CZ 100
for slings 10T

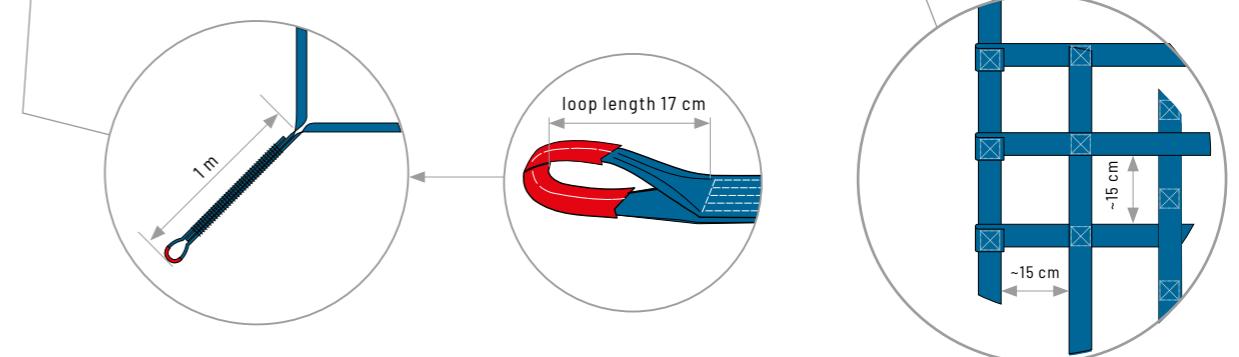
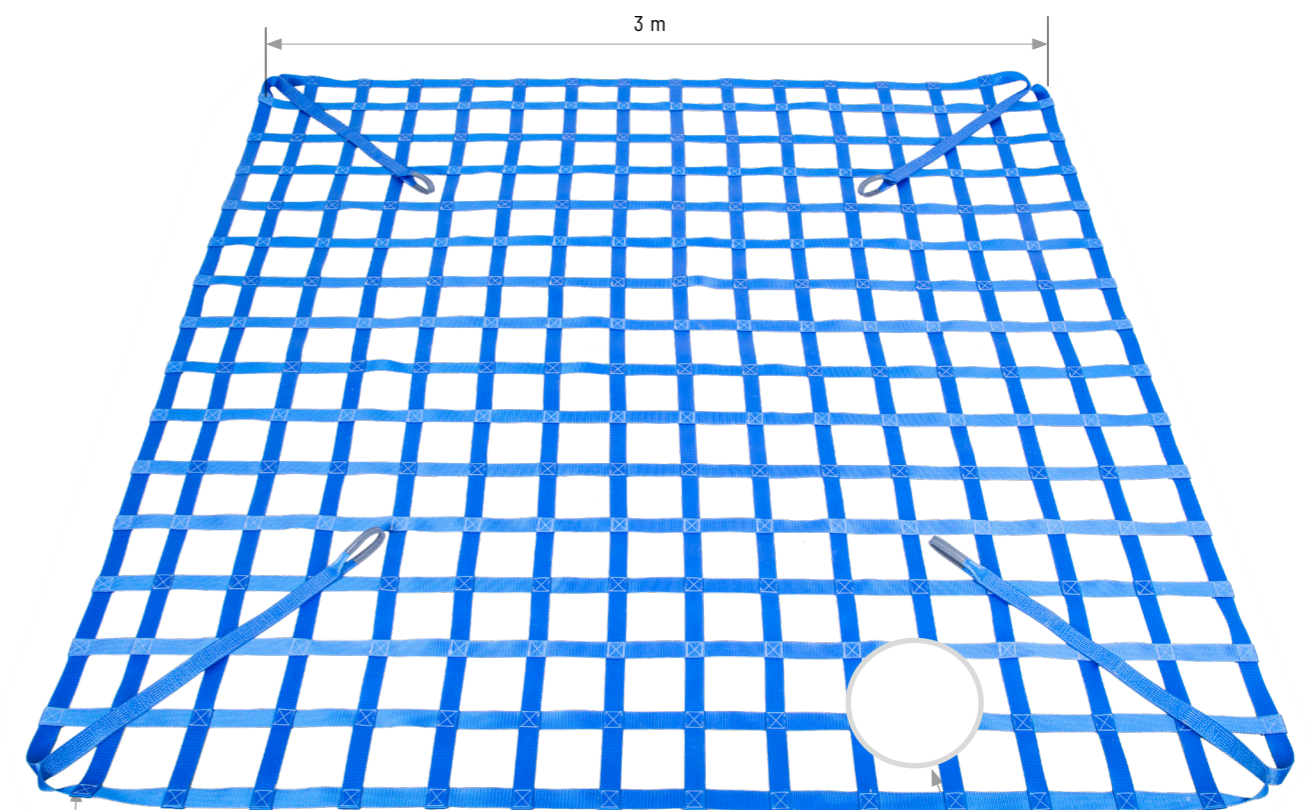


MAIN ADVANTAGES OF CARGO LIFTING SLINGS

- large loading capacity
- low own weight
- convenient storage
- resistance to most non-organic acids
- wide range of working temperatures (-40°C to +100°C)
- lifting of fragile loads
- for large-size and fragile-construction loads

7:1 SAFETY FACTOR

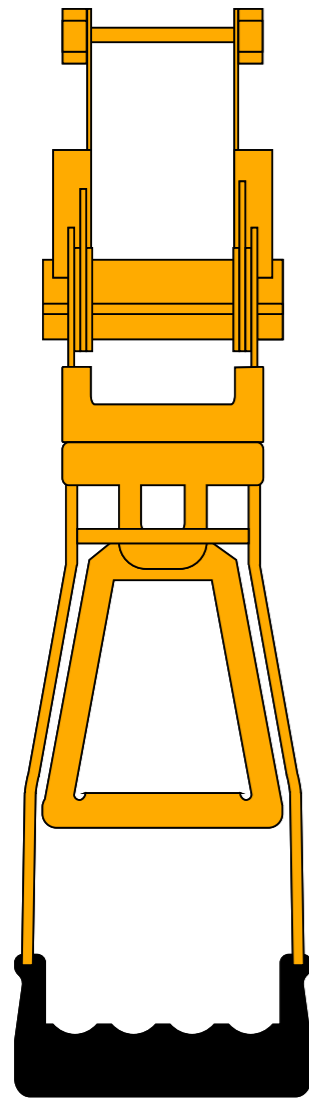
WLL = 1500 daN



TERMINATING LOOP HAS 3 WEBBING LAYERS

POLYESTER WEBBINGS

**POLYESTER
CARGO**
lifting slings



CARGO LASHING

The lashing is used to secure the load to protect it for transport.

It counteract forces affecting the load when moved.

Selection is determined by the type, and destructive forces it should counteract, and as specified by the manufacturer.



AX 500 CARGO LASHING

EN 12195-2



Fastening capacity:	LC 2500 daN
Webbing width:	50 mm
Material:	polyester
Methods of use:	It is used only for fastening, and not for hanging

AX 501 CARGO LASHING - TIE DOWN

EN 12195-2



Fastening capacity:	LC 2500 daN
Webbing width:	50 mm
Material:	polyester
Methods of use:	It is used only for fastening, and not for hanging

AX 252 LASHING STRAPS



TYPE OF DEVICE	LENGHT
AX 501 04	4,0 m
AX 501 06	6,0 m
AX 501 08	8,0 m
AX 501 10	10,0 m
AX 501 12	12,0 m

AX 502 CARGO LASHING

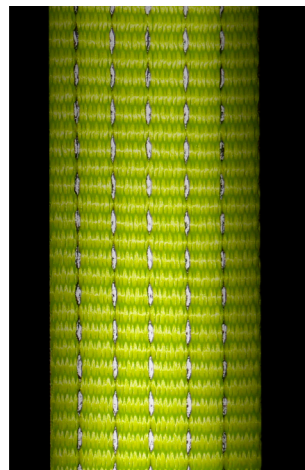
EN 12195-2



Fastening capacity:	LC 2500 daN
Webbing width:	50 mm
Material:	polyester
Methods of use:	It is used only for fastening, and not for hanging

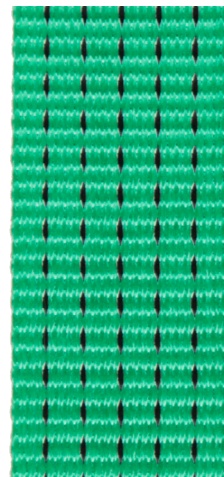
PART NUMBER	LENGTH
AX 502 04	4,0 m
AX 502 06	6,0 m
AX 502 08	8,0 m
AX 502 10	10,0 m
AX 502 12	12,0 m

OTHER 50 MM TYPES FOR CARGO LASHING
OF WEBBING AVAILABLE ON REQUEST

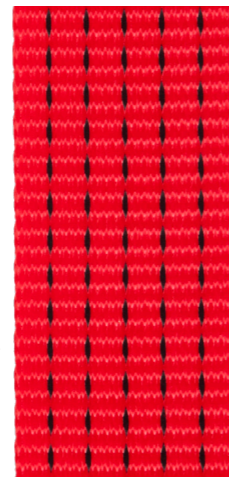


HV webbing with reflective strips
width - 50 mm

Fastening capacity:	LC 600 daN
Webbing width:	25 mm
Material:	polyester
Methods of use:	It is used only for fastening, and not for hanging



green webbing
width - 50 mm



red webbing
width - 50 mm

AX 250 CARGO LASHING SMALL

EN 12195-2



Fastening capacity:	LC 600 daN
Webbing width:	25 mm
Material:	polyester
Use:	it is used only for fastening and not for hanging

Fastening capacity:	LC 200 daN
Webbing width:	25 mm
Material:	polyester

PART NUMBER	LENGTH
AX 250 04	4,0 m
AX 250 06	6,0 m
AX 250 08	8,0 m
AX 250 10	10,0 m
AX 250 12	12,0 m

AX 251 CARGO LASHING SMALL

EN 12195-2

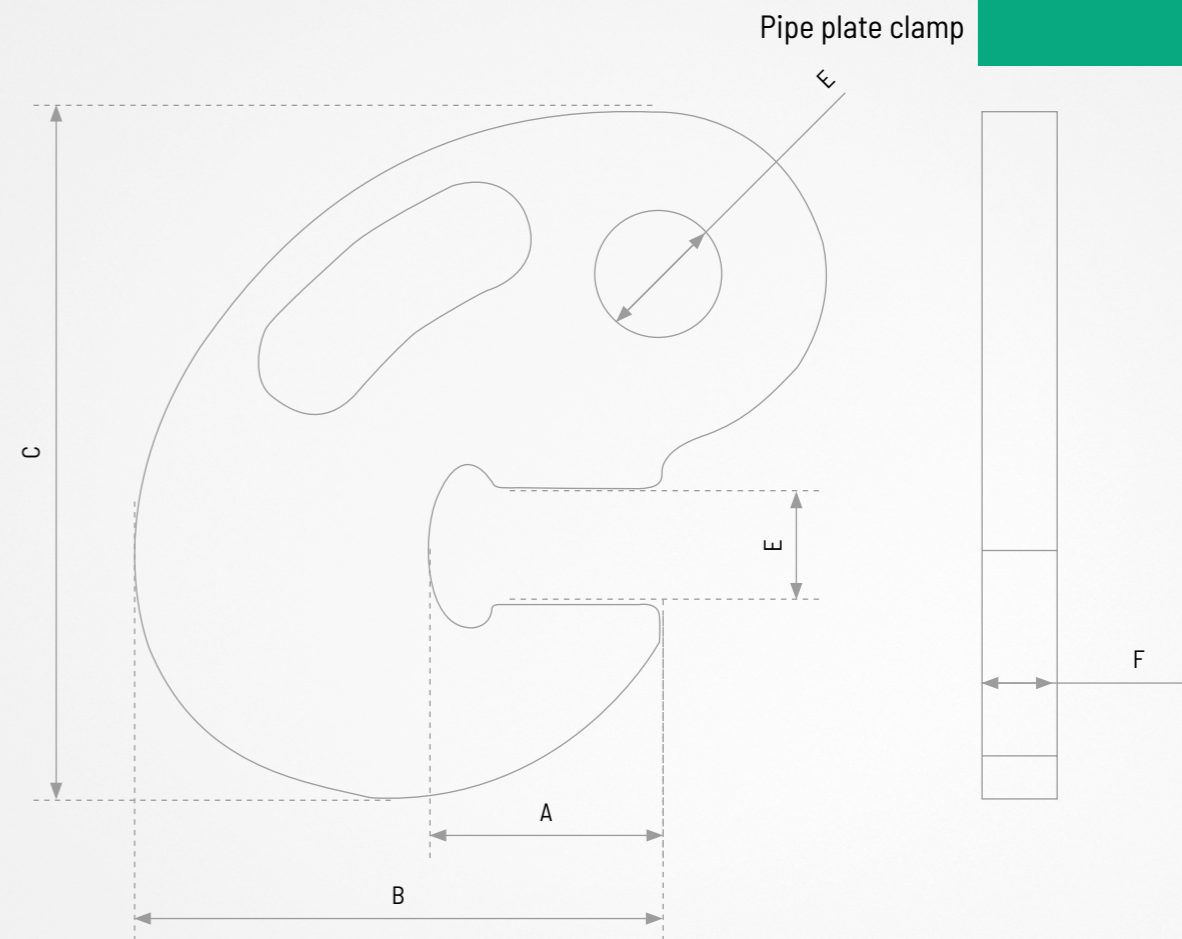


Fastening capacity:	LC 2500 daN
Webbing width:	50 mm
Material:	polyester
Use:	it is used only for fastening and not for hanging

AX 252 LASHING STRAPS



Fastening capacity:	LC 600 daN
Webbing width:	25 mm
Material:	polyester
Use:	it is used only for fastening and not for hanging



REF:	WLL per pair (kg)	A (mm)	B (mm)	C (mm)	D (mm)	E (mm)	F (mm)	net weight (kg)
TRZ010-005	500	32	72	94	18	16	10	0,13
TRZ010-010	1000	39	85	119	23	19	20	0,39
TRZ010-020	2000	57	114	157	30	24	20	0,67

TRZ

Pipe plate clamp

TRZ 010 series pipe plate clamp can be used for lifting and horizontal transport of tubes and profile tubes. TRZ 010 clamps can be used only in pair. Clamps are made of painted aluminium alloy.

WLL: 1500 - 3500 kg



TRZ10-020



TRZ10-010



TRZ10-005

MANUAL chain hoists

Hook made of chromium molybdenum steel

Locking gear made of forged steel

Comfortable rubber handle

Arm made of forged steel

Chain of high strength chain made of zinc-plated steel (DIN 5684 - cl.8)

CONDITIONS OF USE:

- Operation in temperatures from -40°C to $+60^{\circ}\text{C}$,
- Operation in relative air humidity 100%,
- Not suitable for use in water.



ASB crane with hoist chain hoist



PROTEKT[®]

PROTEKT®

USE IMAGINATION | PROTECT YOUR LIFE

WWW.PROTEKT.UK

WLL 5000 KG

PROTEKT

COMPANY ADDRESS - OFFICE

Skromna 6
93-405 Łódź
POLAND
Phone: +48 42 680-20-83
Fax +48 42 680-20-93

WAREHOUSE

Gombrowicza 6
93-405 Łódź
POLAND

REGISTER ADDRESS

PROTEKT Grzegorz Łaszkiwicz Spółka z o. o.
ul. Starorudzka 9
93-403 Łódź
POLAND

KRS 0001009727

NIP [Tax Id No.] 7292747932

REGON [Business Id No.]: 524047958

EXPORT SALES DEPARTMENT

export@protekt.com.pl
Phone: +48 42 29 29 500
fax +48 42 680-20-93