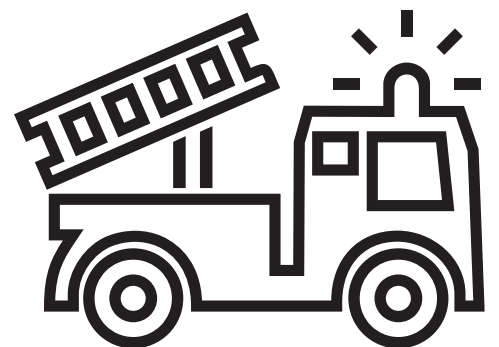


# PROTEKT®

MANUFACTURER OF FALL PROTECTION EQUIPMENT

# FIRE-FIGHTING AND RESCUE EQUIPMENT

# 6



Fireman belts  
Rope hangers and fire-fighter's rescue ropes  
Carabiners  
Work ropes and work positioning lanyards  
Full body harnesses  
Ground tents, screens and safety barriers  
Rescue equipment  
Stretchers and accessories  
Water tanks  
Additional accessories

V.03 | 06.10.2023

**2023/24**



The PROTEKT company has been present on the market for nearly 30 years and is specialized in fall protection equipment.

We focus mainly on safety and comfort of use of our products. This equipment is used in many industries for works at a height, depth and by rescue services and arborists (tree surgeons). Our offer includes both personal fall protection equipment – full body harnesses, energy absorbers, lanyards, and permanent anchorage systems.

Knowledge and skills of our personnel and professional research and manufacturing facilities ensure keeping the highest quality standards. At the same time, we try to offer products at attractive prices. All our products hold European certificates confirmed by both Polish and foreign notified bodies (including but not limited to CIOP, IPO, APAVE).

**PROTEKT**<sup>®</sup>  
[WWW.PROTEKT.UK](http://WWW.PROTEKT.UK)





## HEADQUARTERS

### OFFICE

Skromna 6  
93-405 Lodz  
Poland

Phone: +48 42 29 29 500  
fax +48 42 68 02 093

### WAREHOUSE

Gombrowicza 6  
93-405 Lodz  
Poland

### Correspondence Address:

PROTEKT  
Grzegorz Laszkiewicz Sp. z o.o.  
Skromna 6  
93-405 Lodz  
Poland

## EXPORT SALES DEPARTMENT

export@protekt.com.pl  
Phone: +48 42 29 29 500  
fax +48 42 68 02 093

### Aleksandra Reszka

Phone: +48 42 29 29 503  
ola@protekt.com.pl

### Monika Tychaczka

Phone: +48 42 29 29 506  
monikat@protekt.com.pl

### Joanna Kraska

Phone: +48 42 29 29 508  
asia@protekt.com.pl

### Agata Łukasiewicz

Phone: +48 42 29 29 510  
agata@protekt.com.pl



*Contents, images and diagrams at this page are for illustrative purposes only. For detailed, up-to-date functional and technical information, please contact the company's office.*

*This price list is for information purposes only and may not be regarded as an offer to purchase pursuant to Art. 66 §1. of the Civil Code. Protekt reserves the right to change, supplement or remove the information provided herein. All prices given are net prices and do not include 23% VAT.*

*In case of some product groups, it is possible to order customised devices in configuration other than provided. Custom-modified or custom-made products are not subject to returns.*

Devices and systems manufactured by PROTEKT provide work safety under conditions where risk of a fall from height is present.

This equipment is used in many industries for works at heights, depths and in providing rescue services. Our offer includes both components of personal fall protection equipment – full body harnesses, energy absorbers, lanyards, and permanent anchorage systems.

At PROTEKT we pay special attention to comfort of use and reliability in functioning of our devices, making efforts to meet our customers' still growing needs as best as possible.

All the PROTEKT products are CE-certified.

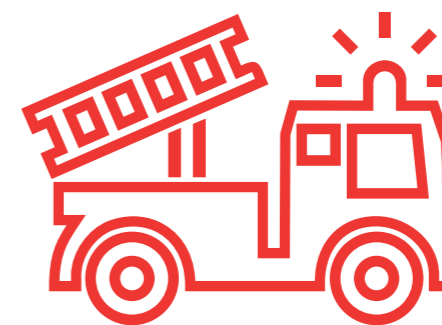
## CERTIFICATION

PROTEKT personal fall protection equipment have Certificates of Type Examination carried out by notified bodies.

Moreover, many of products also hold statements of suitability of use in special conditions:

- Explosion-hazard atmospheres: Institute of Industrial Organic Chemistry
- Commission for Work Safety in the Mining Sector
- Ladders, rope ladders: Institute of Mechanised Construction and Rock Mining
- Fire fighting equipment: Scientific and Research Centre for Fire Protection
- Textiles: Textile Research Institute

# PROTEKT®



<b>8</b>	<b>FIREMAN BELTS</b>	<b>55</b>	<b>GROUND TENTS, SCREENS AND SAFETY BARRIERS</b>
<b>14</b>	<b>ROPE HANGERS AND FIRE-FIGHTER'S RESCUE ROPES</b>	<b>71</b>	<b>STRETCHERS AND ACCESSORIES</b>
<b>19</b>	<b>CONNECTORS</b>	<b>76</b>	<b>RESCUE EQUIPMENT</b>
<b>37</b>	<b>WORK ROPES AND WORK POSITIONING LANYARDS</b>	<b>97</b>	<b>WATER TANKS</b>
<b>43</b>	<b>FULL BODY HARNESES</b>	<b>101</b>	<b>ADDITIONAL ACCESSORIES</b>



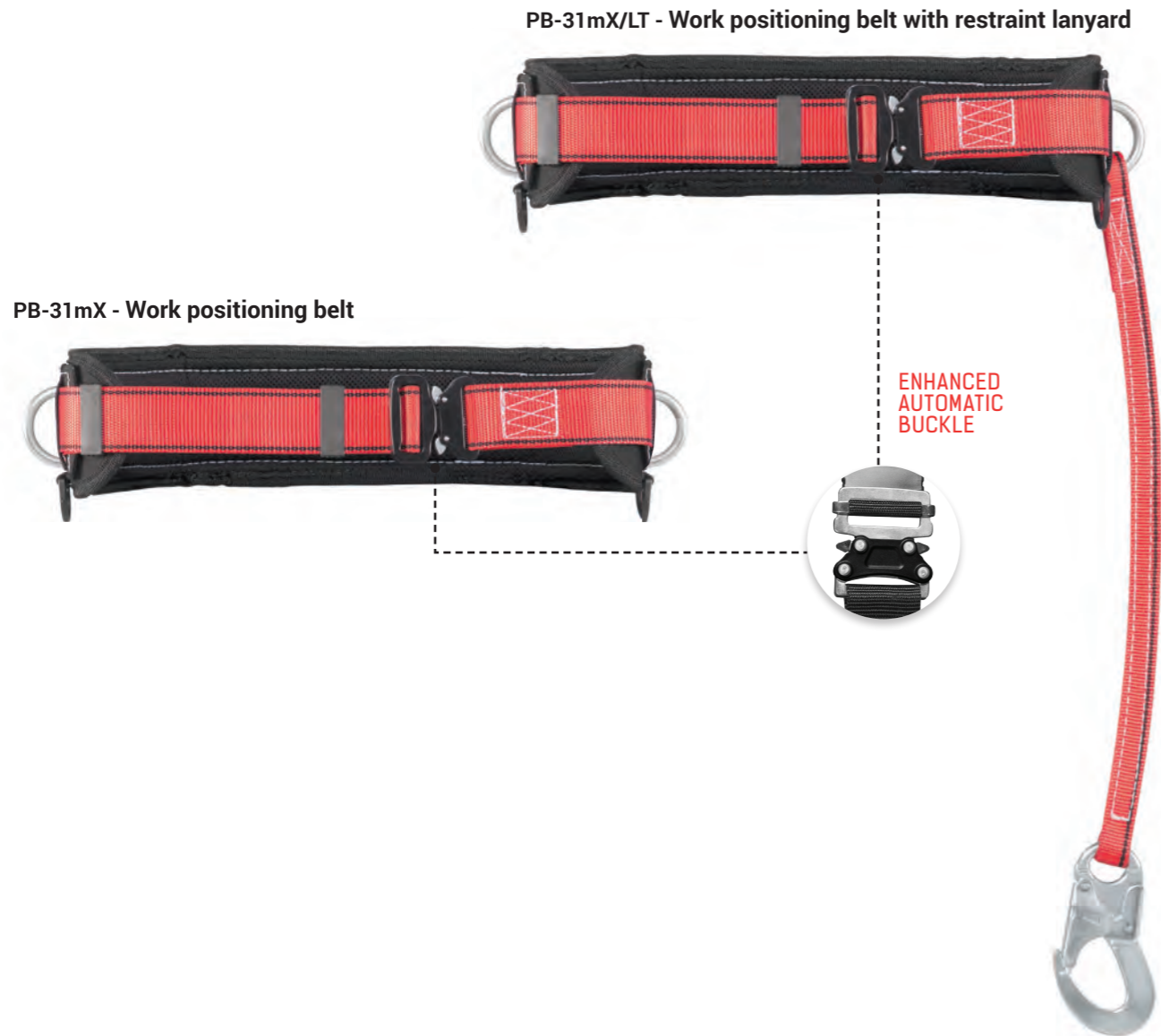
# FIREMAN BELTS

# PB-31mX

Work positioning belt

EN 358

REF. NO.: AP 031 21 / AP 031 21/LT



PB-31mX/LT - Work positioning belt with restraint lanyard

PB-31mX - Work positioning belt

ENHANCED  
AUTOMATIC  
BUCKLE

Work positioning belt PB-31mX for firemen. Belt fitted with ergonomically profiled padding, connecting and adjusting buckle, side attachment buckles and attachment webbing lanyard. Work positioning belt PB 31 complements fall protection equipment and prevents falls from height during works at poles, trees, building structures, etc.

### SPECIAL FEATURES



### PARAMETERS

Webbing:	polyamide/polyester 45 mm
Buckles:	galvanized steel, ABS
Threads:	polyester

SIZE	
S	75-110 cm
M-XL	85-120 cm
XXL	90-140 cm
XXXL	95-150 cm

# PB 65

Fireman belt

PN-88/M-51502

REF. NO.: AP 065



HAS APPROVAL  
CERTIFICATE



Fireman belt, after fireman helmet, is the second basic element of every fireman's equipment. Despite many new designs and elements, its function and intended use remains the same. Basic functions and requirements for a fireman belt result from the nature of operations and hazards involved. Always it is essential to protect a fireman's body in various working conditions. Thus it must comply with specified requirements of strength, durability and resistance to various chemical agents. Only high-quality fireman belts, with CNBOP Approval Certificates, ensure human body protection.

### Essential role and features of fireman belts are as follows:

- provide possibility of an easy and reliable attachment in various situations, often when working at large heights,
- provide the protected person with a possibility of operation with almost any type of fire-fighting equipment,
- provide possibility of attaching fireman's equipment and temporal connection of other elements of the equipment,
- provide possibility of attaching components and parts of strength that enables dissipation of dynamic loads compared to three-time the fireman's weight in full equipment, including fire fighting line load when on fire ladder.

### PARAMETERS

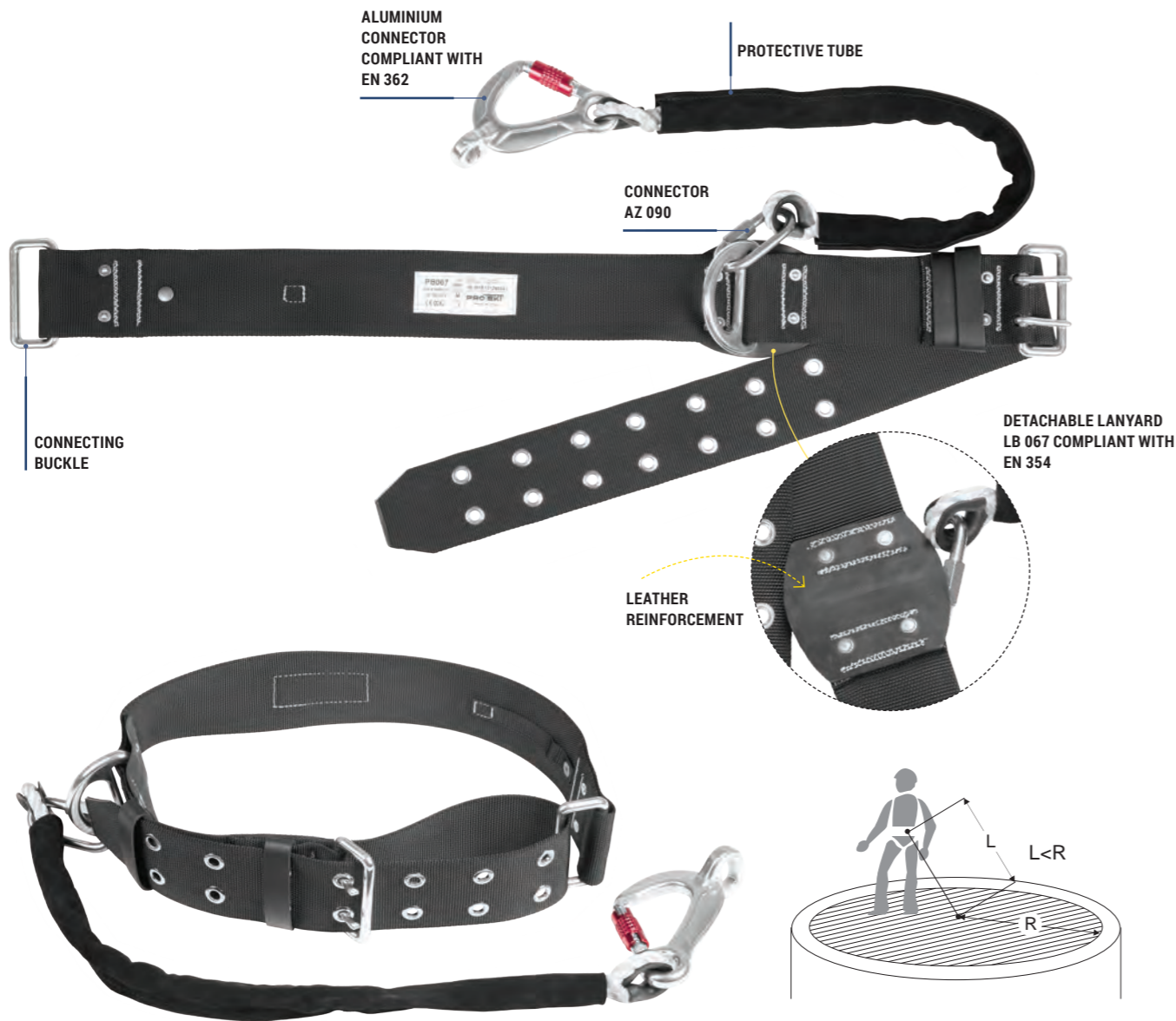
Width:	85 mm	
Manufacture:	belt - leather-reinforced polyester webbing buckles, holders - steel	
Weight:	800 g	
REF. NO.:	SIZE	WAIST
AP 065	S	77-93 cm
AP 065	M	87-103 cm
AP 065	L	97-113 cm

# PB 067

Fireman belt with lanyard LB 067

EN 358

REF. NO.: AP 067



Fireman belt PB 067 is a new restraint device made from a single piece of polyester webbing connected by an aluminium buckle. The device is equipped with a welt to enable variable waist perimeter adjustment (between 76 cm and 116 cm). Lanyard LB 067 is connected to the belt by connector AZ 090. The lanyard is protected by protective tube made of leather and terminated with an aluminium connector compliant with EN 362.

Fireman belt PB 067 complements fall protection equipment and prevents falls during works at height.

## PARAMETERS

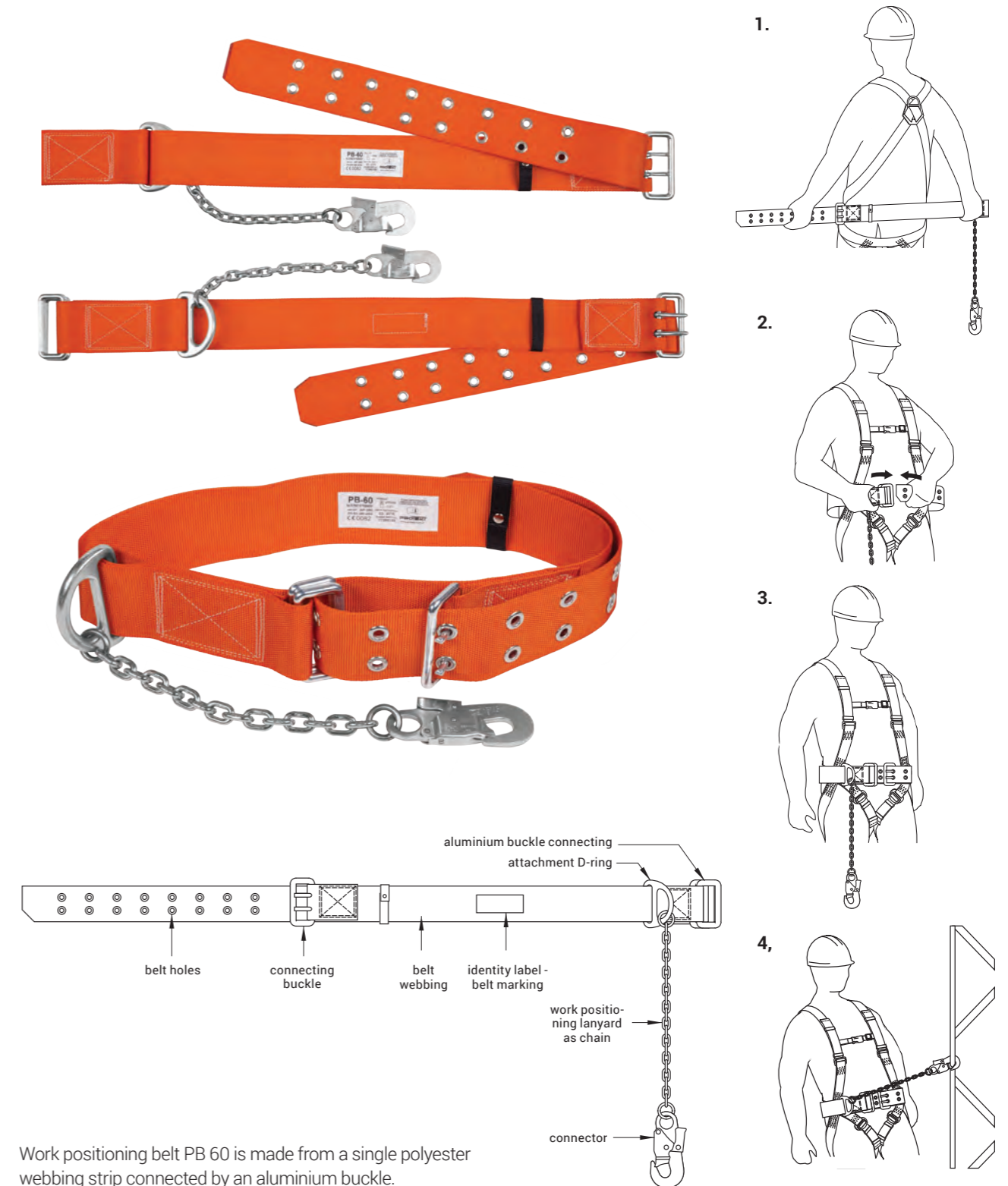
Material:	belt - polyester webbing, leather buckles, holders - aluminium lanyard - polyamide connector AZ 090 - stainless steel	REF. NO.:	SIZE	WAIST
Weight:	860 g - size M	AP 067 01	S	76-94 cm
Belt width:	85 cm	AP 067 02	M	86-106 cm
		AP 067 03	L	98-116 cm

# PB 60

Work positioning belt

EN 358

REF. NO.: AP 060



Work positioning belt PB 60 is made from a single polyester webbing strip connected by an aluminium buckle. Fitted with a welt to enable smooth belt length adjustment (length between 0.45 m and 2 m). Chain with steel connector AZ 002 at the end. Work positioning belt PB 60 complements fall protection equipment and prevents falls during works at height.

SIZE	
S-XXL	



# ROPE HANGERS AND FIRE-FIGHTER'S RESCUE ROPES



# PW 101

Aramid hose rope hanger

EN 358 P.4.1.5

REF. NO.: PW 101



### PARAMETERS

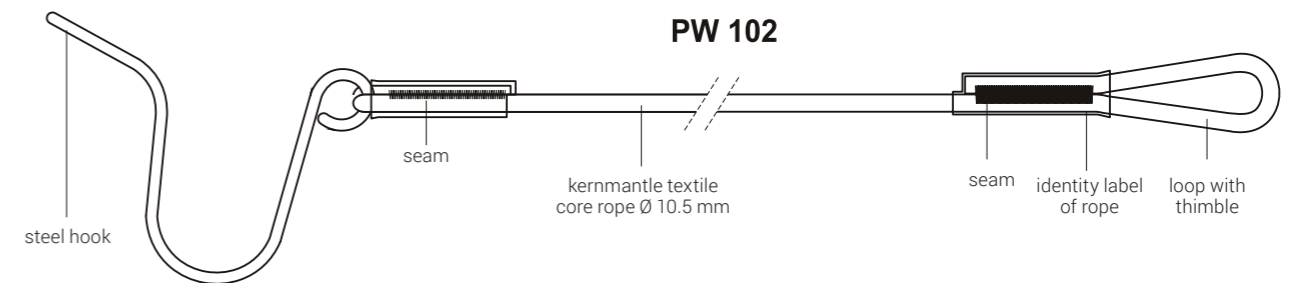
Tensile strength:	min. 15 kN
Material:	aramid
Manufacture:	kernmantle rope
Rope diameter:	11,5 mm

REF. NO.:	LENGTH
PW 101	1 m

# PW 102

Hose rope hanger

REF. NO.: PW 102



### PARAMETERS

Tensile strength:	min. 10 kN
Material:	polyester
Manufacture:	twisted rope
Rope diameter:	12 mm

REF. NO.:	LENGTH
PW 102	1 m

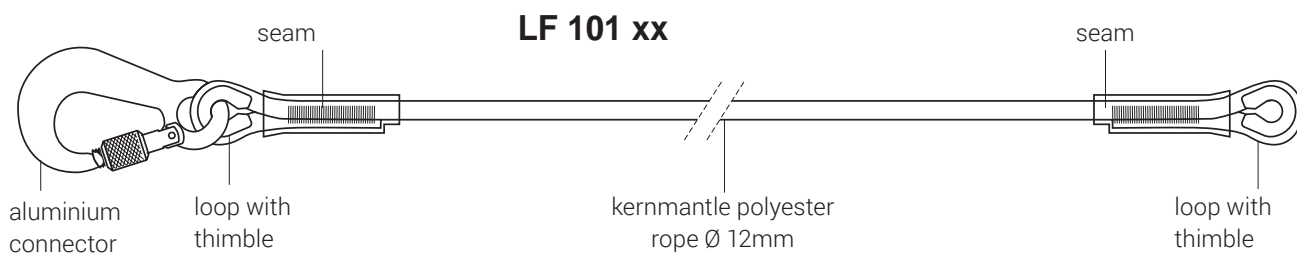
Hose rope hanger for fire hoses is designed for securing a hose line by hanging the delivery hose while delivering water streams from ladders, lifts or staircases to improve a fire-fighter's safety. Made of polyamide coreless braided rope, equipped with a steel hook on one ending, and a loop with a thimble on the other.

# LF 101

## Fire-fighter's rescue rope

PN-86/M-51510

REF. NO.: LF 101



Fire-fighter's rescue rope is a fire-fighter's personal protective equipment. It is designed to secure and protect fireman's operations during fire-fighting or rescue actions and works at a height. The rope provides protection for one person.  
Tensile strength: min. 15 kN  
Elongation: max. 20%

REF. NO.:	LENGTH
LF 101 10 + AZ 003	10 m
LF 101 20 + AZ 003	20 m
LF 101 30 + AZ 003	30 m

### PARAMETERS

Tensile strength:	min. 15 kN
Material:	polyester
Manufacture:	twisted rope
Rope diameter:	11,2 mm



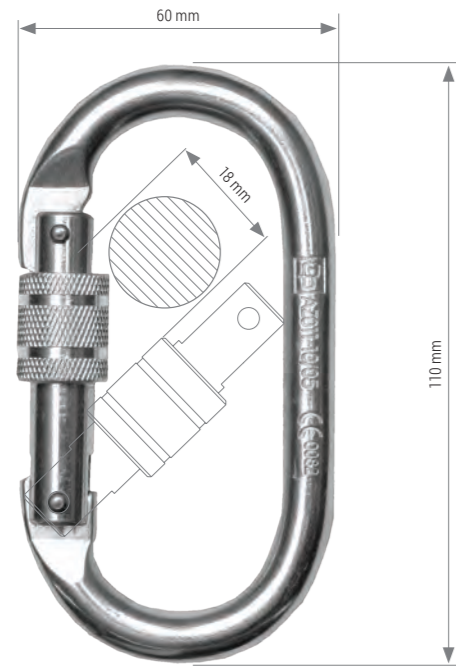
# CONNECTORS

# AZ 011

Detachable connector with „Screw-Lock” gear

EN 362

REF. NO.: AZ011



## PARAMETERS

Dimensions:	110 x 60 mm
Opening:	18 mm
Weight:	160 g
Material:	galvanized steel
Static strength	25 kN

## SPECIAL FEATURES



DOPUSZCZONE  
DO PRACY W STREFACH  
ZAGROŻONYCH WYBUCEM

**PREMITTED TO WORK  
IN POTENTIALLY EXPLOSIVE AREAS**

REF. NO.:

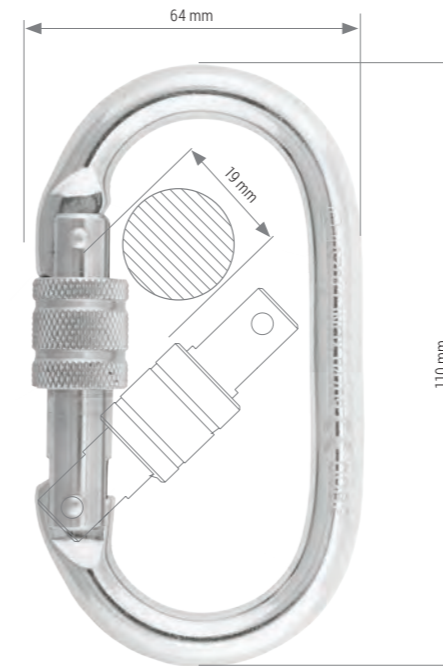
AZ 011

# AZ 011 INOX

Detachable connector with „Screw-Lock” gear

EN 362

REF. NO.: AZ011INOX



## PARAMETERS

Dimensions:	110 x 64 mm
Opening:	19 mm
Weight:	160 g
Material:	stainless steel
Static strength	20 kN

## SPECIAL FEATURES



DOPUSZCZONE  
DO PRACY W STREFACH  
ZAGROŻONYCH WYBUCEM

REF. NO.:

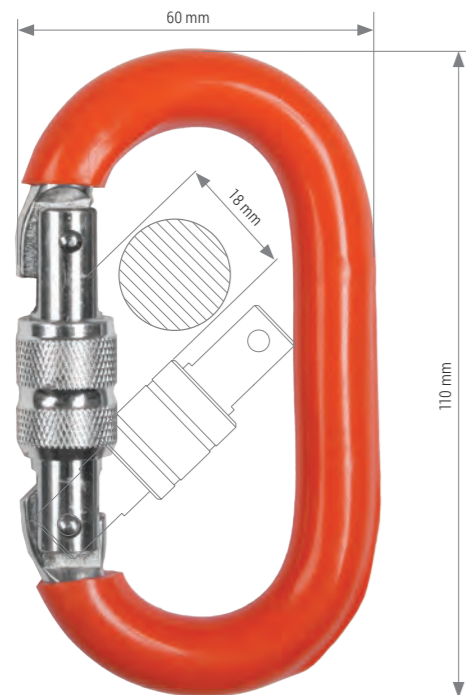
AZ 011 INOX

# AZ 011 ISOL

Detachable connector with „Screw-Lock” gear

EN 362

REF. NO.: AZ011ISOL



## PARAMETERS

Dimensions:	110 x 60 mm
Opening:	18 mm
Weight:	165 g
Material:	galvanized steel
Static strength	25 kN

## SPECIAL FEATURES



DOPUSZCZONE  
DO PRACY W STREFACH  
ZAGROŻONYCH WYBUCEM

**PREMITTED TO WORK  
IN POTENTIALLY EXPLOSIVE AREAS**

REF. NO.:

AZ 011

# AZ 011T

Detachable connector with “Twist-Lock” gear

EN 362

REF. NO.: AZ011T



## PARAMETERS

Dimensions:	108 x 60 mm
Opening:	18 mm
Weight:	170 g
Material:	galvanized steel
Static strength	20 kN

## SPECIAL FEATURES



DOPUSZCZONE  
DO PRACY W STREFACH  
ZAGROŻONYCH WYBUCEM

REF. NO.:

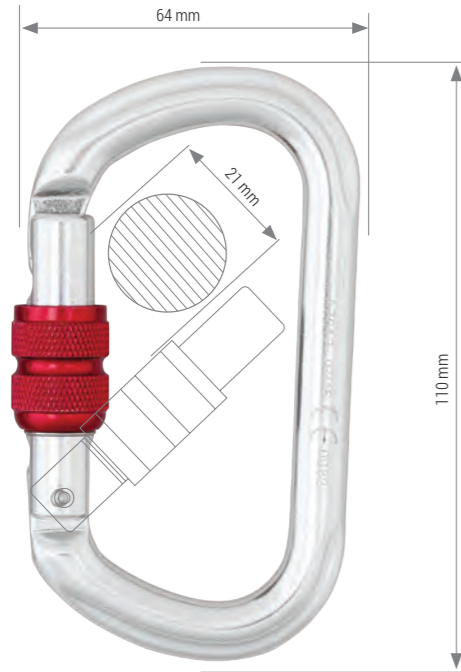
AZ 011T

# AZ 012

Detachable connector with „Screw-Lock” gear

EN 362

REF. NO.: AZ012



### PARAMETERS

Dimensions:	110 x 64 mm
Opening:	21 mm
Weight:	75 g
Material:	aluminium
Static strength	25 kN

### SPECIAL FEATURES



DOPUSZCZONE DO PRACY W STREFACH ZAGROŻONYCH WYBUCEM

PREMITTED TO WORK IN POTENTIALLY EXPLOSIVE AREAS

REF. NO.:

AZ 012

# AZ 012DT

Detachable connector with “Double Twist-Lock” gear

EN 362

REF. NO.: AZ012DT



### PARAMETERS

Dimensions:	110 x 61 mm
Opening:	21 mm
Weight:	85 g
Material:	aluminium
Static strength	20 kN

### SPECIAL FEATURES



DOPUSZCZONE DO PRACY W STREFACH ZAGROŻONYCH WYBUCEM

REF. NO.:

AZ 012DT

# AZ 012T

Detachable connector with “Twist-Lock” gear

EN 362

REF. NO.: AZ012T



### PARAMETERS

Dimensions:	110 x 63 mm
Opening:	21 mm
Weight:	80 g
Material:	aluminium
Static strength	25 kN

### SPECIAL FEATURES



DOPUSZCZONE DO PRACY W STREFACH ZAGROŻONYCH WYBUCEM

REF. NO.:

AZ 012T

# JOIN OUR NEWSLETTER

Sign up to get latest news, updates...

SCAN ME



# AZ 014

Detachable connector with „Screw-Lock” gear

EN 362

REF. NO.: AZ014



### PARAMETERS

Dimensions:	113 x 73 mm
Opening:	24 mm
Weight:	95 g
Material:	aluminium
Static strength	20 kN

### SPECIAL FEATURES



DOPUSZCZONE DO PRACY W STREFACH ZAGROZONYCH WYBUCEM

PREMITTED TO WORK IN POTENTIALLY EXPLOSIVE AREAS

REF. NO.:

AZ 014

# AZ 014DT

Detachable connector with “Double Twist-Lock” gear

EN 362

REF. NO.: AZ014DT



### PARAMETERS

Dimensions:	112 x 73 mm
Opening:	22 mm
Weight:	100 g
Material:	aluminium
Static strength	20 kN

### SPECIAL FEATURES



DOPUSZCZONE DO PRACY W STREFACH ZAGROZONYCH WYBUCEM

REF. NO.:

AZ 014DT

# AZ 014T

Detachable connector with “Twist-Lock” gear

EN 362

REF. NO.: AZ014T



### PARAMETERS

Dimensions:	117 x 72 mm
Opening:	24 mm
Weight:	100 g
Material:	aluminium
Static strength	20 kN

### SPECIAL FEATURES



DOPUSZCZONE DO PRACY W STREFACH ZAGROZONYCH WYBUCEM

REF. NO.:

AZ 014T

# AZ 017

Detachable connector with „Screw-Lock” gear

EN 362

REF. NO.: AZ017



### PARAMETERS

Dimensions:	113 x 71 mm
Opening:	25 mm
Weight:	200 g
Material:	galvanized steel
Static strength	20 kN

### SPECIAL FEATURES



DOPUSZCZONE DO PRACY W STREFACH ZAGROZONYCH WYBUCEM

REF. NO.:

AZ 017

# AZ 017T

Detachable connector with "Twist-Lock" gear

EN 362

REF. NO.: AZ017T



## PARAMETERS

Dimensions:	113 x 71 mm
Opening:	25 mm
Weight:	200 g
Material:	galvanized steel
Static strength	20 kN

## SPECIAL FEATURES



DOPUSZCZONE  
DO PRACY W STREFACH  
ZAGROZONYCH WYBUCEM

**PREMITTED TO WORK  
IN POTENTIALLY EXPLOSIVE AREAS**

REF. NO.:

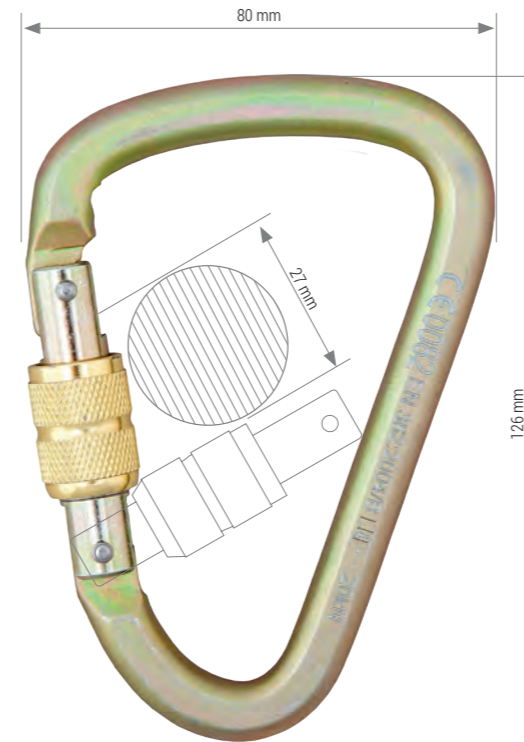
AZ 017T

# AZ 018

Detachable connector with „Screw-Lock” gear

EN 362

REF. NO.: AZ018



## PARAMETERS

Dimensions:	126 x 80 mm
Opening:	27 mm
Weight:	230 g
Material:	galvanized steel
Static strength:	20 kN

## SPECIAL FEATURES



DOPUSZCZONE  
DO PRACY W STREFACH  
ZAGROZONYCH WYBUCEM

REF. NO.:

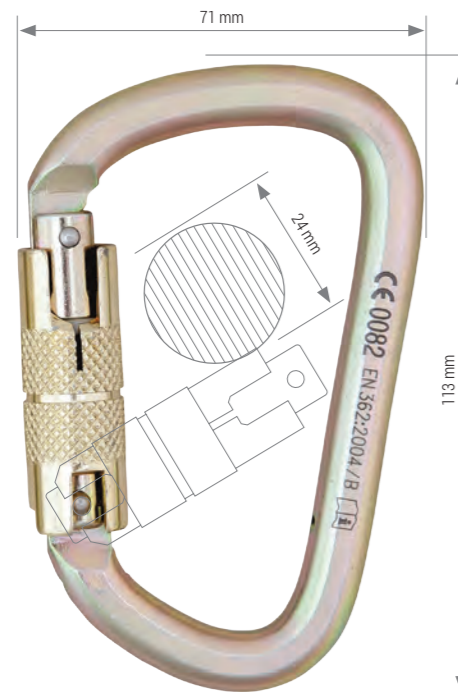
AZ 018

# AZ 017DT

Detachable connector with "Double Twist-Lock" gear

EN 362

REF. NO.: AZ017DT



## PARAMETERS

Dimensions:	113 x 71 mm
Opening:	24 mm
Weight:	210 g
Material:	galvanized steel
Static strength	20 kN

## SPECIAL FEATURES



DOPUSZCZONE  
DO PRACY W STREFACH  
ZAGROZONYCH WYBUCEM

REF. NO.:

AZ 017DT

# AZ 018T

Detachable connector with "Twist-Lock" gear

EN 362

REF. NO.: AZ018T



## PARAMETERS

Dimensions:	126 x 80 mm
Opening:	27 mm
Weight:	245 g
Material:	galvanized steel
Static strength	20 kN

## SPECIAL FEATURES



DOPUSZCZONE  
DO PRACY W STREFACH  
ZAGROZONYCH WYBUCEM

REF. NO.:

AZ 018T

# AZ 019T

Detachable connector with "Twist-Lock" gear

EN 362

REF. NO.: AZ019T



### PARAMETERS

Dimensions:	119 x 75 mm
Opening:	27 mm
Weight:	95 g
Material:	aluminium
Static strength	20 kN

### SPECIAL FEATURES



DOPUSZCZONE  
DO PRACY W STREFACH  
ZAGROŻONYCH WYBUCEM

**PREMITTED TO WORK  
IN POTENTIALLY EXPLOSIVE AREAS**

REF. NO.:

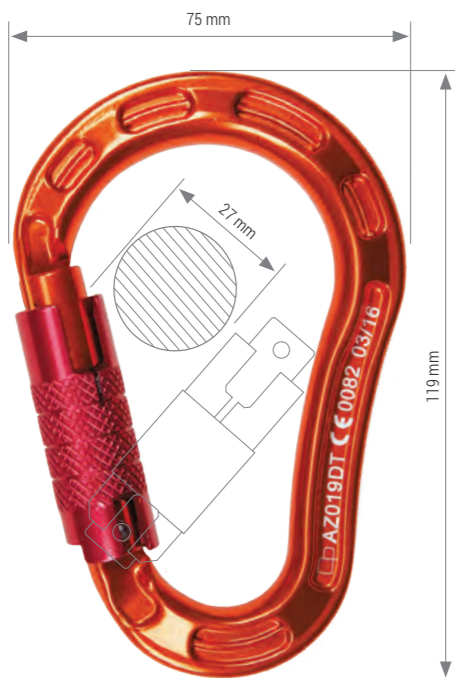
AZ 019T

# AZ 019DT

Detachable connector with "Double Twist-Lock" gear

EN 362

REF. NO.: AZ019DT



### PARAMETERS

Dimensions:	119 x 75 mm
Opening:	27 mm
Weight:	90 g
Material:	aluminium
Static strength	25 kN

### SPECIAL FEATURES



DOPUSZCZONE  
DO PRACY W STREFACH  
ZAGROŻONYCH WYBUCEM

REF. NO.:

AZ 019DT

# AZ 111

Detachable connector with "Twist-Lock" gear

EN 362

REF. NO.: AZ111



### PARAMETERS

Dimensions:	190 x 111 mm
Opening:	44 mm
Weight:	205 g
Material:	aluminium
Static strength	20 kN

REF. NO.:

AZ 111

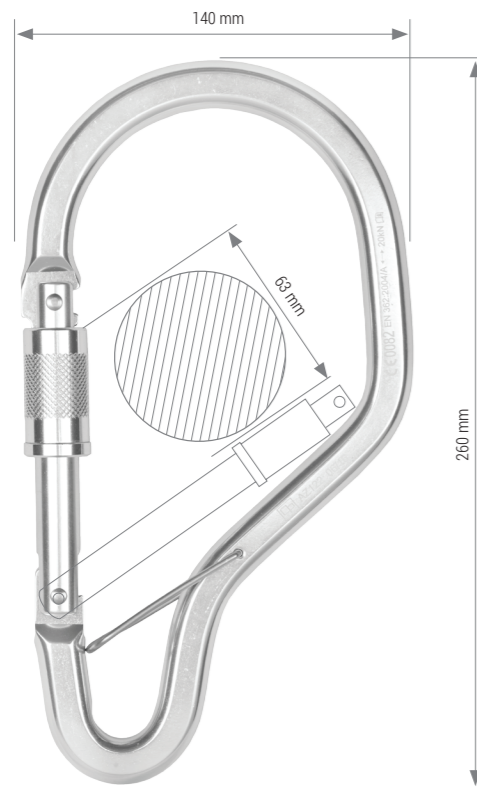


# AZ 122

Detachable connector with "Twist-Lock" gear

EN 362

REF. NO.: AZ122



## PARAMETERS

Dimensions:	260 x 140 mm
Opening:	63 mm
Weight:	360 g
Material:	aluminium
Static strength	20 kN

REF. NO.:

AZ 122

# AZ 022

Integrated anchor carabiner with „EasyHook Open” gear

REF. NO.: AZ 022



## PARAMETERS

Dimensions:	217 x 112 mm
Opening:	55 mm
Weight:	500 g
Material:	galvanized steel
Static strength	20 kN

REF. NO.:

AZ 022 - separately

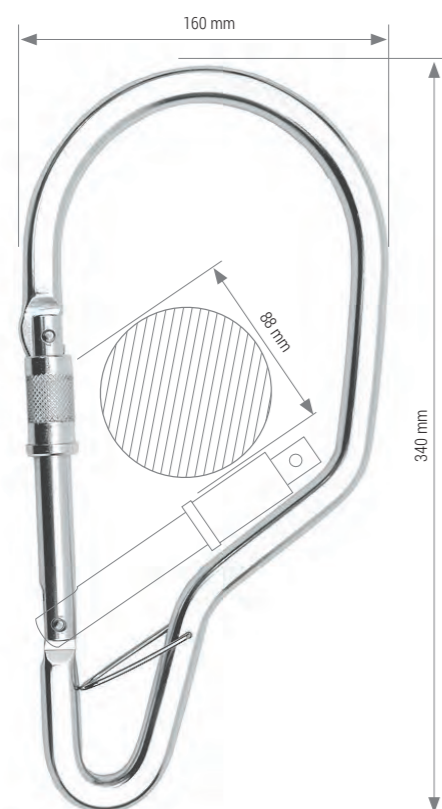
AZ 022 - factory-mounted in equipment

# AZ 125

Detachable connector with "Twist-Lock" gear

EN 362

REF. NO.: AZ125



## PARAMETERS

Dimensions:	340 x 160 mm
Opening:	88 mm
Weight:	490 g
Material:	aluminium
Static strength	20 kN

REF. NO.:

AZ 125

# AZ 023

Integrated anchor carabiner with „EasyHook Open” gear

REF. NO.: AZ 023



## PARAMETERS

Dimensions:	240 mm x 108 mm
Opening:	56 mm
Weight:	475 g
Material:	aluminium
Static strength	20 kN

## SPECIAL FEATURES



DOPUSZCZONE  
DO PRACY W STREFACH  
ZAGROŻONYCH WYBUCEM

PREMITTED TO WORK  
IN POTENTIALLY EXPLOSIVE  
AREAS

REF. NO.:

AZ 023 - separately

AZ 023 - factory-mounted in equipment

# AZ 024

Integrated anchor carabiner with „EasyHook Open” gear

EN 362

REF. NO.: AZ024



### PARAMETERS

Dimensions:	355 mm x 168 mm
Opening:	110 mm
Weight:	917 g
Material:	aluminium
Static strength	20 kN

REF. NO.:

AZ 024 - separately

AZ 024 - factory-mounted in equipment

# AZ 025

Integrated anchor carabiner with „EasyHook Open” gear

EN 362

REF. NO.: AZ025



### PARAMETERS

Dimensions:	330 x 155 mm
Opening:	83 mm
Weight:	845 g
Material:	galvanized steel
Static strength	20 kN

REF. NO.:

AZ 025 - separately

AZ 025 - factory-mounted in equipment

# AZ 029

Integrated anchor connector with „EasyHook Open” gear

EN 362

REF. NO.: AZ029



**LOW WEIGHT 330 g**  
thanks to elements made of composite

### COLOR VERSIONS



### PARAMETERS

Dimensions:	142 x 219 mm
Opening:	50 mm
Weight:	350 g
Material:	galvanized steel, composite
Static strength:	25 kN

REF. NO.:

AZ 029 - separately

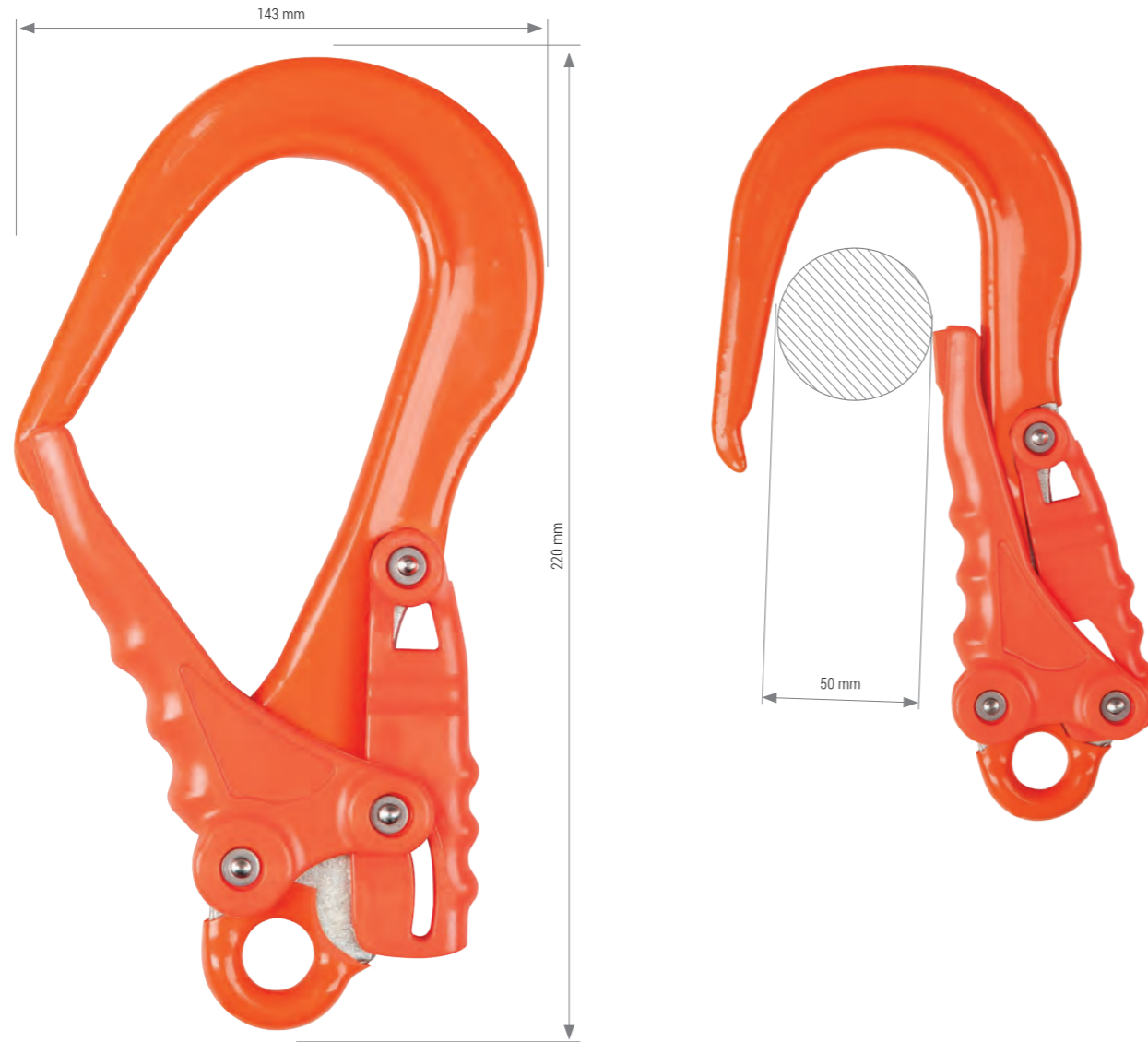
AZ 029 - factory-mounted in equipment

# AZ 029 ISOL

Integrated anchor connector with „EasyHook Open” gear

EN 362

REF. NO.: AZ029ISOL



## PARAMETERS

Dimensions:	143 x 220 mm
Opening:	50 mm
Weight:	373 g
Material:	galvanized steel, composite
Static strength:	25 kN

## SPECIAL FEATURES



DOPUSZCZONE  
DO PRACY W STREFACH  
ZAGROŻONYCH WYBUCHEM

REF. NO.:

AZ 029 ISOL - separately

AZ 029 ISOL - factory-mounted in equipment

# AZ 055

Integrated connector with „Screw-Lock” gear

EN 362

REF. NO.: AZ055



**LOW WEIGHT 250 g**  
thanks to the use of  
7075 T6 aluminium

## PARAMETERS

Dimensions:	97 x 244 mm
Opening:	50 mm
Weight:	250 g
Material:	aluminium 7075 T6
Static strength:	20 kN

NR KAT.:

AZ 055

Light connector AZ 055 thanks to use of high-quality materials (aluminium 7075 T6) and large opening (50 mm) suits perfectly for cooperation with retractable type fall arresters such as WR 020/WR 040. The used swivel shackle prevents twisting of webbing or lanyard during operation and thus increases use comfort and safety. Moreover the applied anodizing considerably improves anti-corrosion characteristics of the product.

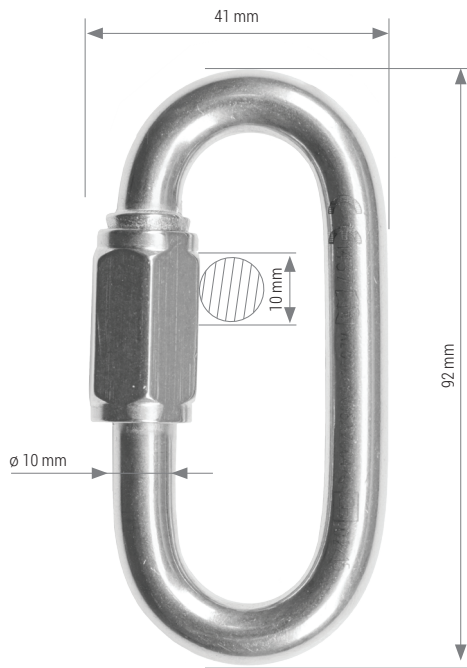
Integrated connector is available as a factory-mounted in the PROTEKT equipment or as a separate anchor element.

# AZ 090

Detachable connector with Screwlink gear

EN 362

REF. NO.: AZ090



## PARAMETERS

Dimensions:	92 x 41 mm
Opening:	10 mm
Weight:	65 g
Material:	galvanized steel
Static strength:	35 kN

## SPECIAL FEATURES



DOPUSZCZONE  
DO PRACY W STREFACH  
ZAGROŻONYCH WYBUCEM

REF. NO.:

AZ 090

# AZ 091

Detachable connector with Screwlink gear

EN 362

REF. NO.: AZ091



## PARAMETERS

Dimensions:	75 x 56 mm
Opening:	8 mm
Weight:	84 g
Material:	galvanized steel
Static strength:	20 kN

## SPECIAL FEATURES



DOPUSZCZONE  
DO PRACY W STREFACH  
ZAGROŻONYCH WYBUCEM

REF. NO.:

AZ 091



# WORK ROPES AND WORK POSITIONING LANYARDS

# TU 129

Work rope

EN 1891 Class A

REF. NO.: PESPA 12-KP-16



Spliced Eye - EN 1891 certified eye splicing

## PARAMETERS

Rope diameter:	Ø 12,0 mm
Weight:	102 g/m
Kernmantle slip:	0,6%
Drop-off number:	≥5
Relative elongation:	2,0% (50-150 kg)
Shrinkage:	0,6%
Min. static strength:	≥ 22 kN
Breaking force:	29,3 kN
Core:	polyamide
Kernmantle:	polyester

REF. NO.:	Ø ROPE DIAMETER
PesPa 12-KP-16	12 mm

# TU 130

Work rope

EN 1891 Class A

REF. NO.: PESPA 13,5-K-16



Spliced Eye - EN 1891 certified eye splicing

min. strength with loops 15 kN  
breaking force 24 kN

## PARAMETERS

Rope diameter:	Ø 13,5 mm
Weight:	130 g/m
Kernmantle slip:	0,3%
Drop-off number:	1
Relative elongation:	3,9% (50-150 kg)
Shrinkage:	0,3 %
Min. static strength:	22 kN
Breaking force:	32,8 kN
Core:	polyamide
Kernmantle:	polyester

## AVAILABLE COLOUR VERSIONS



01

REF. NO.:	Ø ROPE DIAMETER
PesPa 13,5-K-16	13 mm

# TU 131

Work rope

EN 1891 Class A

REF. NO.: **XX-K-24**  
PES XX-K-24



## PARAMETERS

Ref.no.:	PA 10-K-24	PA 10.5-K-24	PA 11-K-24	PA 11.5-K-24	PA 12-K-24
Rope diameter:	Ø 10 mm	Ø 10,5 mm	Ø 11 mm	Ø 11,5mm	Ø 12 mm
Weight:	68 g/m	72 g/m	76 g/m	103 g/m	98 g/m
Relative elongation:	3,4 %	2,9%	3,3 %	1,8%	3,9 %
Kernmantle shift:	0,9 %	0,5%	1%	1,3%	0,6 %
Min. static strength:	22 kN	22 kN	22 kN	22 kN	22 kN
Breaking force:	29,10 kN	29,8 kN	30,60 kN	25,7 kN	32,10 kN
Material:	polyamide	polyamide	polyamide	polyester	polyamide

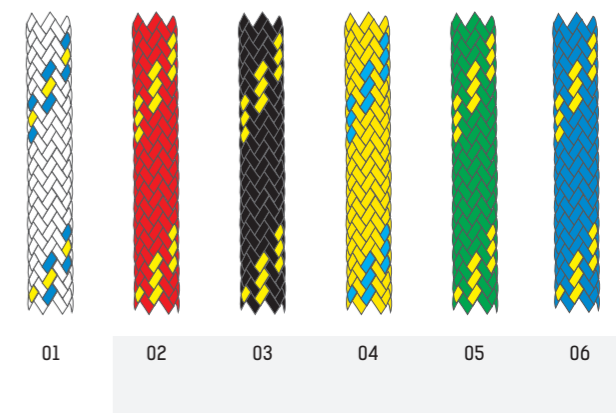
# LL

Work rope

REF. NO.: **LL 060, LL 080, LL 110, LL 120, LL 140**



## AVAILABLE COLOUR VERSIONS



If no colour version is specified, rope to be sent is colour version no. 01

## PARAMETERS

Ref.no.:	LL 060	LL 080	LL 110	LL 120	LL 140
Rope diameter:	Ø 6 mm	Ø 8 mm	Ø 10,5 mm	Ø 12 mm	Ø 14 mm
Weight:	30 g/m	51 g/m	92 g/m	108 g/m	140 g/m
Relative elongation:	2,30 %	1,80 %	1,15 %	1,20 %	1,20 %
Kernmantle shift:	0,6 %	0,8 %	0,4 %	0,5 %	0,3 %
Breaking force:	11,06 kN	15,46 kN	27,41 kN	37,07 kN	39,25 kN
Material:	polyester	polyester	polyester	polyester	polyester

# TU 132

## Cargo rope

REF. NO.: **TU 132**



The rope is fully made of high-strength polyester. Formed as 12-fibre braid rope. Intended only for cargo transportation. Bright colour provides good visibility. Perfect as a work positioning rope for hydrants or pulleys.

### PARAMETERS

	TU 132 016	TU 132 018
Rope diameter:	Ø 16 mm	Ø 18 mm
Strength:	37 kN	45 kN
Material:	polyester	polyester

REF. NO.:	Ø ROPE DIAMETER
TU 132 016	Ø 16 mm
TU 132 018	Ø 18 mm

# TU 135

## Work rope

REF. NO.: **TU 135**



### PARAMETERS

Rope diameter:	Ø 10 mm
Strength:	17 kN
Material:	aramid, polyester

REF. NO.:	Ø ROPE DIAMETER
TU 135	Ø 10 mm





# FULL BODY HARNESSES



# P-72mX

EN 358  
EN 361  
EN 813

TEST FOR MAXIMUM  
USER WEIGHT 140 kg



Safety harness with  
a waist belt and automatic buckles  
for work in suspension

## SAFETY HARNESS DEDICATED TO HIGH-ALTITUDE RESCUE KIT.

**SOFT PILLOWS SHOULDER**

**NEW AUTOMATIC BUCKLES**

**REGULATING BUCKLE**

**2 ALUMINUM FRONT ATTACHING POINT**

**4 ALUMINUM ATTACHING POINT FOR POSITIONING WORK**

**3 WORK POSITIONING BELT WITH ALUMINUM ATTACHING POINT**

**ADJUSTABLE THIGH BELT WITH AUTOMATIC BUCKLE**

**BAG INCLUDED**

**NUMBER OF ATTACHMENT POINTS**

EN 361	EN 361	EN 358	EN 813
1	2	3	4
dorsal	front	waist	sit harness



### MANUFACTURE

Straps	polyester 45 mm
Buckles	galvanized steel
Threads	polyester

VERSION	WEIGHT
M - XL	2080 g
XXL	2160 g

# SAFETY HARNESS FOR WORK POSITIONING PRO-FIT

P-600



The P-600 is a safety harness integrated with a supporting belt. Made on the basis of the PRO-FIT construction, which enables quick installation and adjustment of the harness to the user's figure. The vest made of mesh allows the skin to breathe freely and prevents sweating, guaranteeing comfort at work. The P-600 are equipped with 3 attachment points. The rear one in the form of an aluminum D buckle and two front ones: thoracic and abdominal in the form of a pair of interlocking loops.

The Abdominal Attachment Point is intended for use with vertical fall arrest systems. During operation, the load is evenly distributed over the belt, ensuring optimal comfort. During a fall, the hooking point moves up to the level of the chest, ensuring a vertical position of the body after stopping the fall. The harness also has fall indicators which automatically rip open to indicate the necessity of withdrawing the harness from use.

## EASY-TO-USE HARNESS TO WORK POSITIONING, PROTECTING AGAINST FALLS



**PRO-FIT**



### SPECIFICATION

- The PRO-FIT cut for easy donning and guaranteeing a fit
- Optimum freedom of movement
- Work comfort: lightweight, breathable material (mesh)
- Automatic buckles (belt and thighs)
- Hitch loops for front and rear
- Buckles for work in support
- Hitch loop for work on the rail
- Fall indicator
- 3 hitch loops: front, rear; front - rail
- 2 equipment loops
- Adjustment shoulder straps, belt and thigh straps
- Sizes: S / M-XL / XXL

### HV COLOR VERSIONS



Hi-Viz Yellow



Hi-Viz Orange



Gray



Hi-Viz Green

# EASY-TO-USE FALL-ARREST HARNESS PRO-FIT

P-500



FABRIC: MESH

ATTACHMENT D-RING: A

ATTACHMENT LOOP: A/2

FALL INDICATORS

EN 361  
EN 1497

RESCUE LOOPS

AUTOMATIC BUCKLES

WEBBING COLOR: Hi-Viz

MOVABLE PADS ON THIGHS

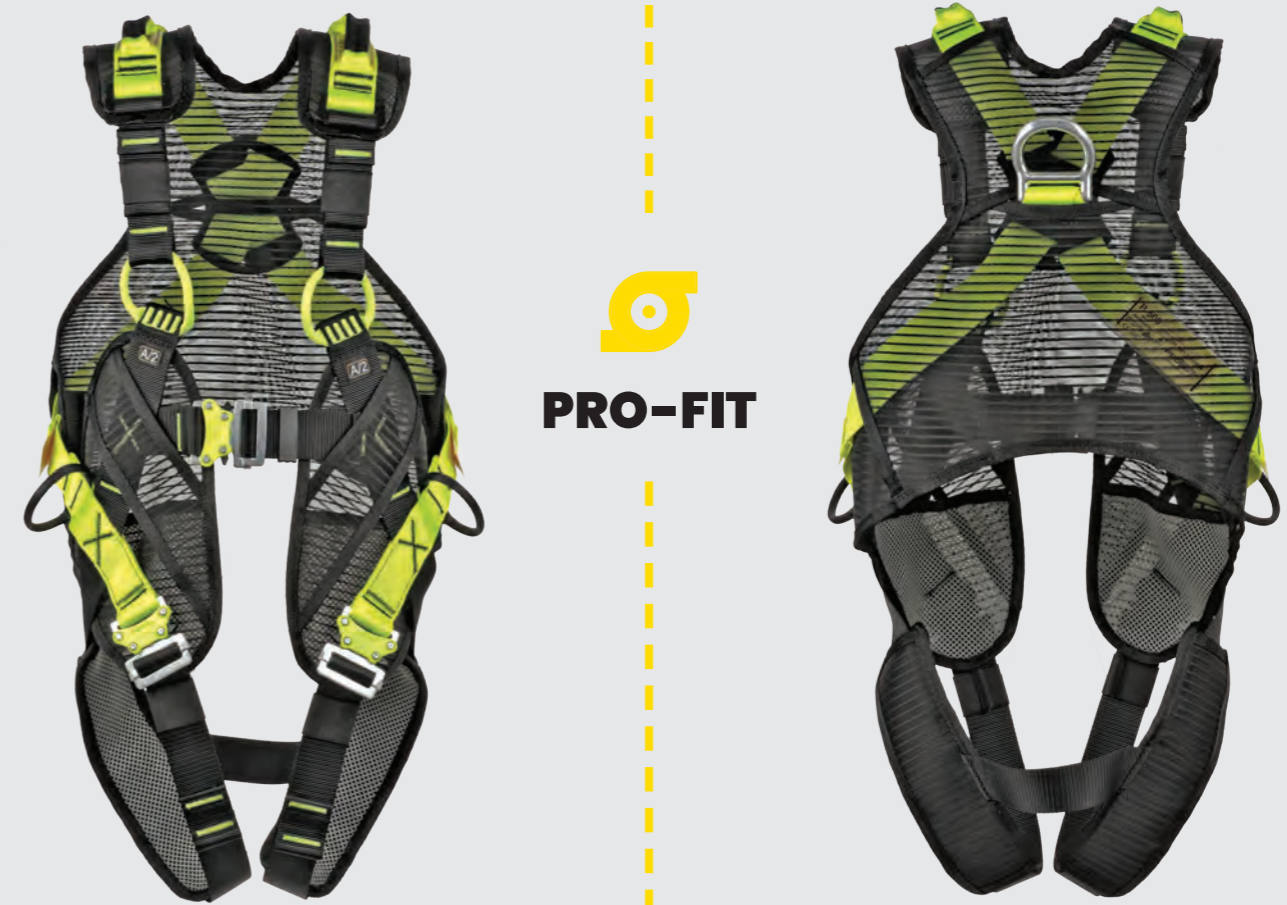
The P-500 is a comfortable, ergonomic full body and rescue harness that can be quickly donned. Automatic buckles allow the harness to be put on efficiently without loss of adjustment.

The harness allows immediate access to tools by equipment holders and integrated loops. Attachment points - metal and textile - provide tremendous versatility. The harness is equipped with rescue loops and fall indicators.

## EASY-TO-USE FALL-ARREST HARNESS

The P-500 harness can be quickly donned because of the design. It is equipped with pads, breathable vest and automatic buckles.

All this minimizes the time to adjust the harness to the user and enables quick start of the work.



PRO-FIT

### SPECIFICATION

- Lightweight, ergonomic design
- Automatic buckles (belt and thighs)
- Quick-donning and easy to use
- Sternal and dorsal attachment points
- Fall indicators
- Rescue loops
- Two tool loops
- Comfortable all day long: the anatomical design ensures a perfect fit while providing optimal freedom of movement
- Adjustable shoulder, belt and thigh straps
- Sizes: S / M-XL / XXL

### HV COLOR VERSIONS



Hi-Viz Yellow



Hi-Viz Orange



Hi-Viz Magenta



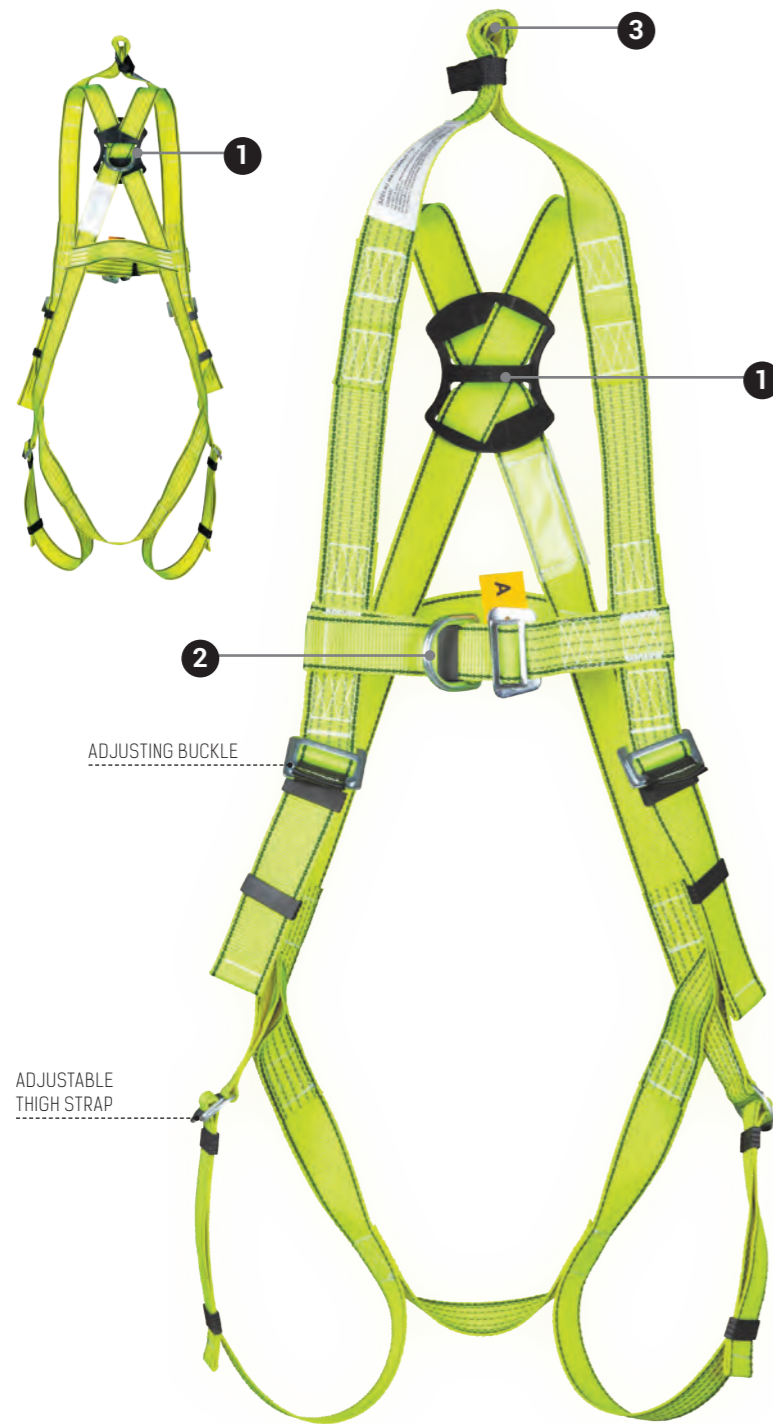
Hi-Viz Green

# P-10R HV

Hi Vision full body harness

EN 361, EN 1497

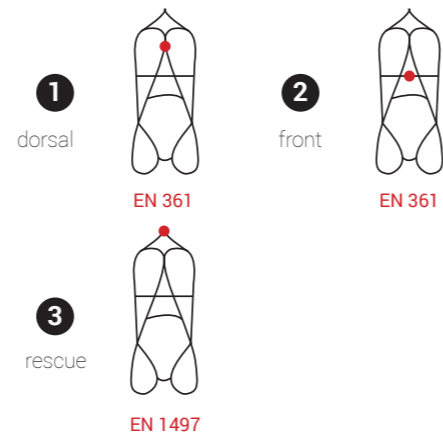
Ref. no.: AB 110 09



## MANUFACTURE

Webbing: polyester 45 mm  
Buckles: galvanized steel  
Threads: polyester

## NUMBER OF ATTACHMENT POINTS



VERSION	WEIGHT
M - XL	1460 g
XXL	1600 g

### DORSAL ATTACHMENT POINT



EN 361  
Dorsal attachment D-ring

### FRONT ATTACHMENT POINT



EN 361  
Front attachment point

### RESCUE ATTACHMENT POINT



EN 1497  
Rescue attachment point

# P-14R

Full body harness

EN 361, EN 1497

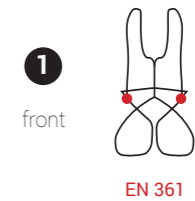
Ref. no.: AB 114 01



## MANUFACTURE

Webbing: polyester 45 mm  
Buckles: galvanized steel  
Threads: polyester

## NUMBER OF ATTACHMENT POINTS



VERSION	WEIGHT
M - XL	1600 g
XXL	1720 g

### FRONT ATTACHMENT POINT



EN 361  
Front attachment point

# P-87mXR

Full body harness

EN 361, EN 358, EN 1497

Ref. no.: AB 187 01



### SPECIAL FEATURES

Tested for maximum user's weight 140 kg

ADAPTED TO COOPERATE WITH A TWO-POINT HITCH AT 300

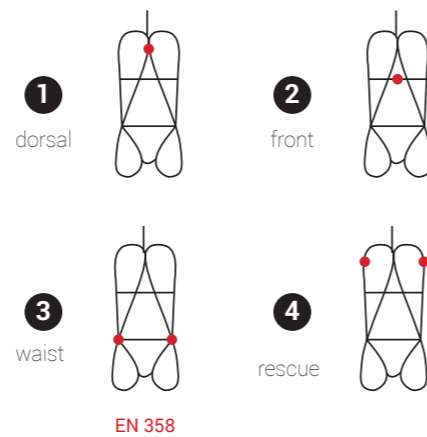
### MANUFACTURE

Webbing: polyester 45mm

Buckles: galvanized steel, ABS

Threads: polyester

### NUMBER OF ATTACHMENT POINTS



VERSION	WEIGHT
M - XL	2540 g
XXL	2750 g



#### DORSAL ATTACHMENT POINT



EN 361  
Dorsal attachment D-ring

#### FRONT ATTACHMENT POINT



EN 361  
Front attachment point

#### BELT



EN 358  
Work positioning belt with side attachment buckles

#### RESCUE



EN 1497  
Rescue loops

# P-87mXR HV

Hi Vision full body harness

EN 361, EN 358, EN 1497

Ref. no.: AB 187 29



### SPECIAL FEATURES

ADAPTED TO COOPERATE WITH A TWO-POINT HITCH AT 300

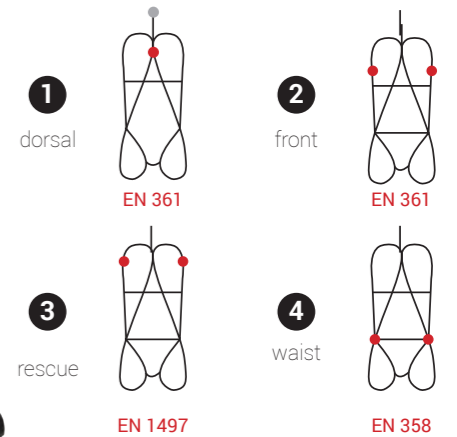
### MANUFACTURE

Webbing: polyester 45mm

Buckles: galvanized steel, ABS

Threads: polyester

### NUMBER OF ATTACHMENT POINTS



VERSION	WEIGHT
M - XL	2540 g
XXL	2750 g



#### DORSAL ATTACHMENT POINT



EN 361  
Dorsal attachment D-ring

#### FRONT ATTACHMENT POINT



EN 361  
Front attachment point

#### RESCUE



EN 1497  
Rescue loops

#### BELT



EN 358  
Work positioning belt with side attachment buckles

# P-90

## Full body harness

EN 361, EN 358, EN 813

Ref. no.: AB 190 01



### SPECIAL FEATURES



PREMITTED TO WORK IN POTENTIALLY EXPLOSIVE AREAS

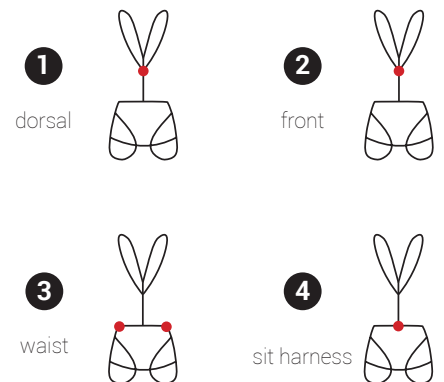


Tested for maximum user's weight 140 kg

### MANUFACTURE

Webbing:	polyester 45 mm
Buckles:	galvanized steel
Threads:	polyester

### NUMBER OF ATTACHMENT POINTS



VERSION	WEIGHT
M - XL	1950 g
XXL	2030 g

#### DORSAL ATTACHMENT POINT



EN 361  
Dorsal attachment D-ring

#### FRONT ATTACHMENT POINT



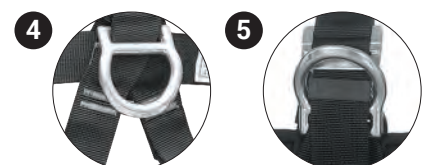
EN 361  
Front attachment point

#### WORK POSITIONING



EN 358  
Work positioning belt with side attachment buckles

#### SIT HARNESS



EN 813  
Attachment point for sit harness



GROUND TENTS,  
**SCREENS**  
**AND SAFETY**  
**BARRIERS**

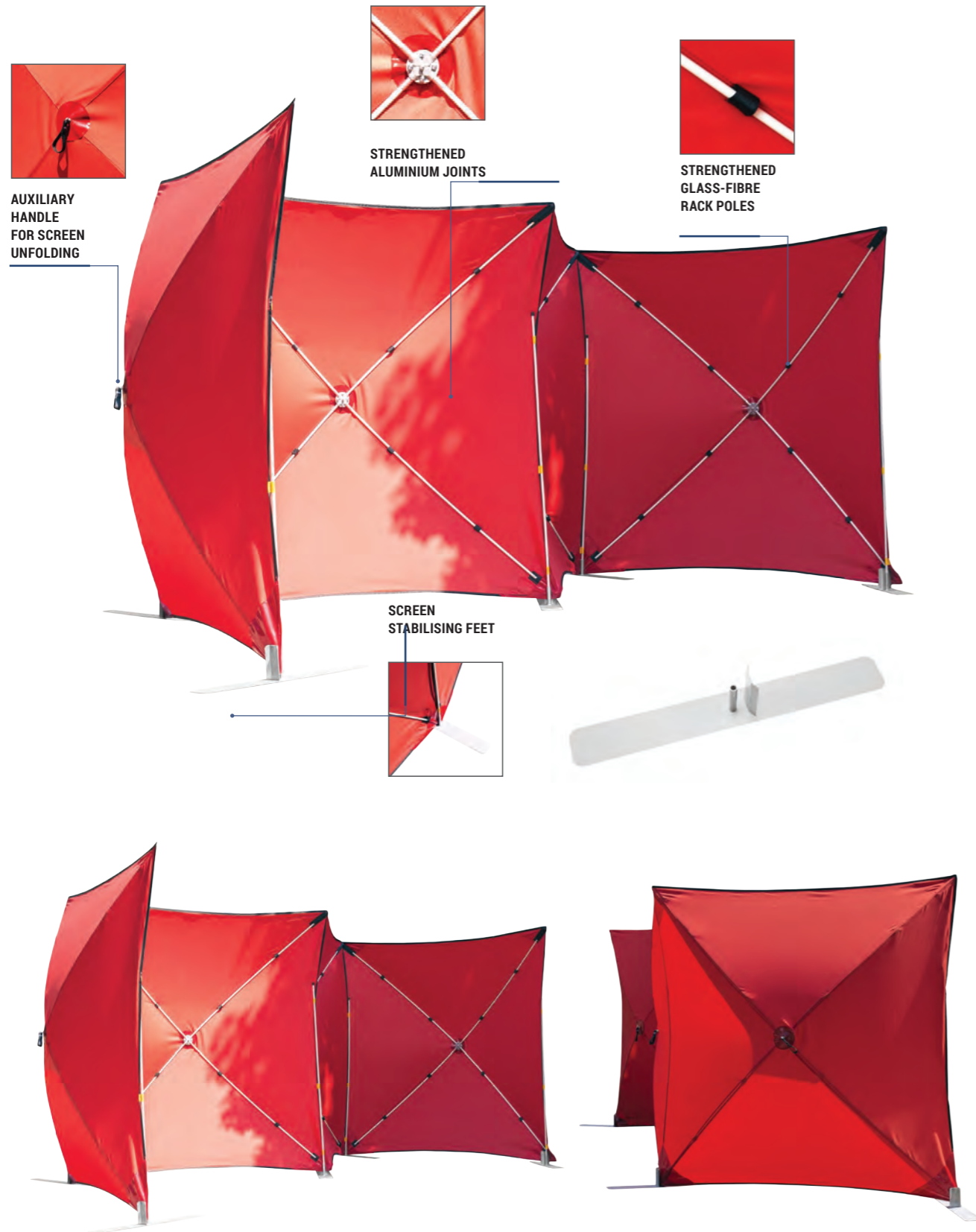




# GT 020

Screen

REF. NO.: GT 020



COLOUR VERSIONS AVAILABLE FOR POLICE AND FIRE SERVICE



CARGO BAG INCLUDED



COLOR VARIANTS

Red	01	
Blue	02	

PARAMETERS

Number of segments:	4
Segment Dimensions:	1,60 x 1,60 m or 1,80 x 1,80 m

REF. NO.:	DIMENSIONS	WEIGHT
GT 020 160	1,60 x 1,60 m	10,10 kg
GT 020 161 with printing	1,60 x 1,60 m	10,10 kg
GT 020 180	1,80 x 1,80 m	11,30 kg
GT 020 181 with printing	1,80 x 1,80 m	11,30 kg

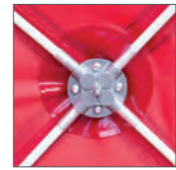
# GT 030

Screen with reflective tapes

REF. NO.: GT 030



AUXILIARY HANDLE FOR SCREEN UNFOLDING



STRENGTHENED ALUMINIUM JOINTS



SCREEN STABILISING FEET



**COLOUR VERSIONS AVAILABLE FOR POLICE AND FIRE SERVICE**



**CARGO BAG INCLUDED**



**COLOR VARIANTS**

Red	01	
Blue	02	

**PARAMETERS**

Number of segments:	4
Segment Dimensions:	1,60 x 1,60 m or 1,80 x 1,80 m

REF. NO.:	DIMENSIONS	WEIGHT
GT 030 160	1,60 x 1,60 m	10,95 kg
GT 030 161 with printing	1,60 x 1,60 m	10,95 kg
GT 030 180	1,80 x 1,80 m	11,60 kg
GT 030 181 with printing	1,80 x 1,80 m	11,60 kg

# GT 040

## Adjustable screen

REF. NO.: GT 040



### SCREEN HEIGHT VARIABLE ADJUSTMENT

by clamping coupler. Telescope is made from aluminium tube and plastic. Telescope is made from aluminium tube and plastic.



### LEG POSITION ANGLE ADJUSTMENT

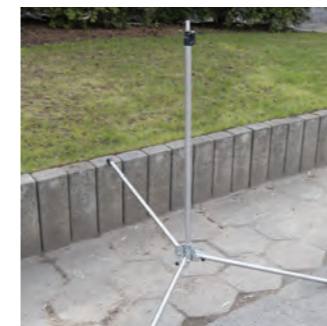
(each leg individually), joints are made of galvanized steel.



### COMFORTABLE AND QUICK COVER ASSEMBLY



### VARIABLE HEIGHT ADJUSTMENT



**COLOUR VERSIONS AVAILABLE FOR POLICE AND FIRE SERVICE.**

**SCREENS CAN BE COMBINED TOGETHER**



**BASE LEGS**  
tube Ø 33.7  
made of galvanized steel and plastic



### PARAMETERS

Weight:	15,15 kg
Dimensions:	height: 1,25-1,95 m, width: 3,05 m
Material:	fabric: polyester, rack: galvanized steel, aluminium

### COLOR VARIANTS

Red	01	
Blue	02	

REF. NO.:

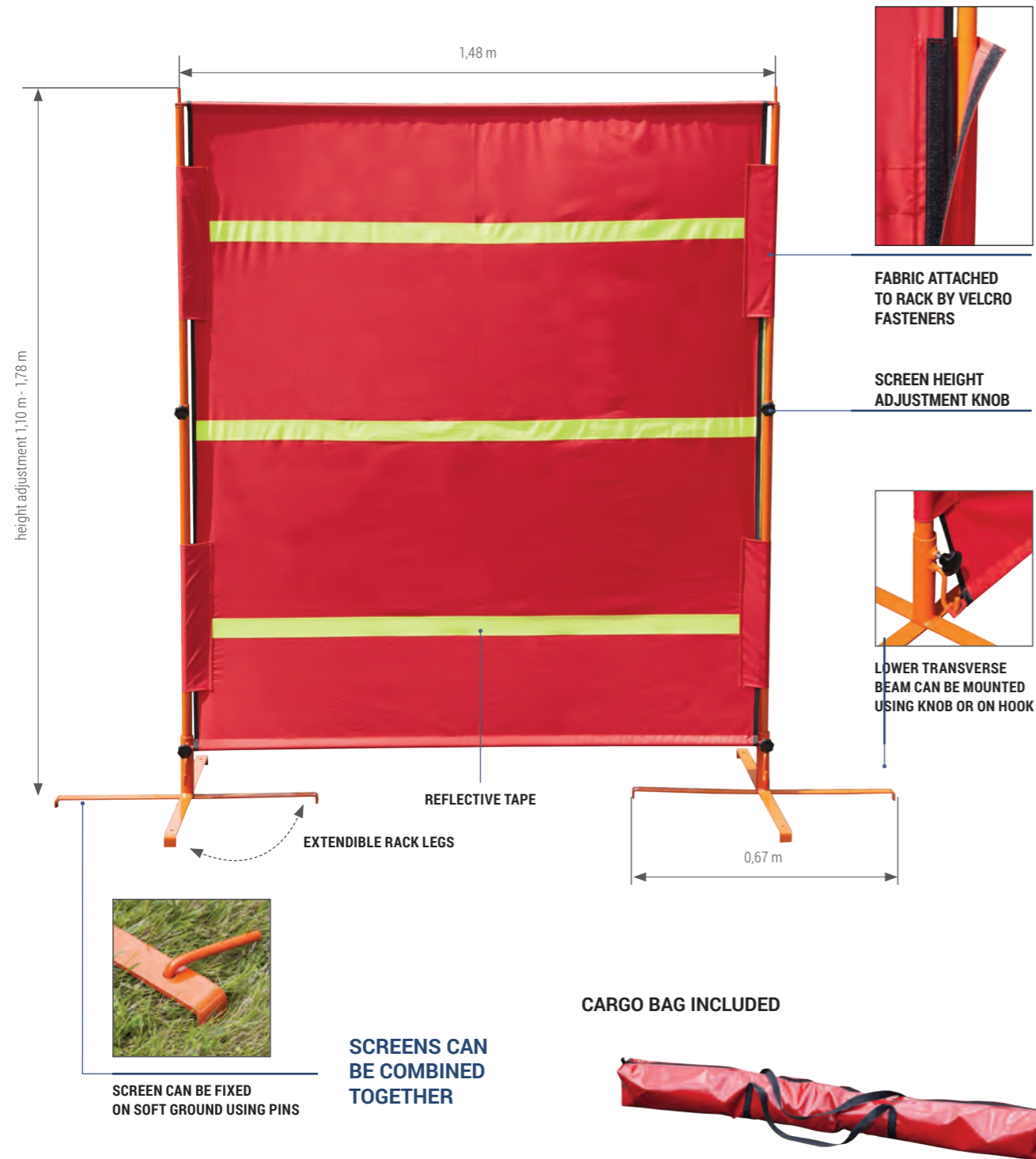
GT 040

Adjustable screen designed for guarding and sheltering of locations during traffic accidents, natural disasters, etc. Variable screen length adjustment ~1.25 - 1.95 m with side telescopic tripods. Adjustment of leg position up and down relation to the horizontal. Leg transport lock. The kit includes cargo bag and cover for folded equipment.

# GT 050

Adjustable screen with reflective tapes

REF. NO.: GT 050



## PARAMETERS

Dimensions when folded:	0,15 x 0,15 x 1,5 m
Max dimension of screen when unfolded::	1,78 x 1,48 m
Material:	fabric – polyester rack – powder-coated steel
Weight:	13 kg

## COLOR VARIANTS

Red	01
Blue	02

REF. NO.:

GT 050

Adjustable screen designed for guarding and sheltering of locations during traffic accidents, natural disasters, etc. The kit includes cargo bag and cover for the fabric.

# GT 140

Forensic tent

REF. NO.: GT 140



TOP WALLS CAN BE OPENED

INNER ALUMINIUM JOINTS



CARGO BAG INCLUDED



Light and durable folding tent for covering of corpse on the inspection of the scene, site inspection, etc. Intended for the use by police, fire brigade, coroner, funeral home, etc.

Tent is folding thanks to resilient rack, without unfolding to smaller pieces. Top walls are opened by zippers allowing for the inspection inside, without having to remove the tent. Possibility of providing an additional inscription, e.g. "CRIME SCENE", "POLICE", "CORONER" at an extra charge. Transport cover included.

## PARAMETERS

Dimensions when folded:	17 x 79 cm
Wymiar rozłożonego namiotu:	220 x 110 x 95 cm
Material:	fabric - water-proof fabric: microfibre (black) polyester (red, blue) rack - aluminium, glass fibre
Weight:	4,0 kg

## COLOUR VARIANTS

Red	01	
Blue	02	
Black	03	

REF. NO.:

GT 140 03 - Black

GT 140 01 / GT 140 02 - Red / Blue

# GT 210

Folding tent with a light frame

REF. NO.: GT 210



WINDOW SECURED WITH A NET CLOSED WITH VELCRO



ROLLED UP ENTRANCE



THE HANDLE FOR UNFOLDING THE TENT



LOCKABLE ENTRANCE ON THE ZIPPER

✓ EASY AND QUICK TO UNFOLD

✓ WEIGHT ONLY 15 KG

✓ ZIP CLOSURE

## PARAMETERS

Material:	poliester powlekany (wodoszczelny) włókno szklane
Weight:	15 kg 16,2 kg z torbą transportową
Dimensions:	360 x 180 x 180 cm

NR KAT.:

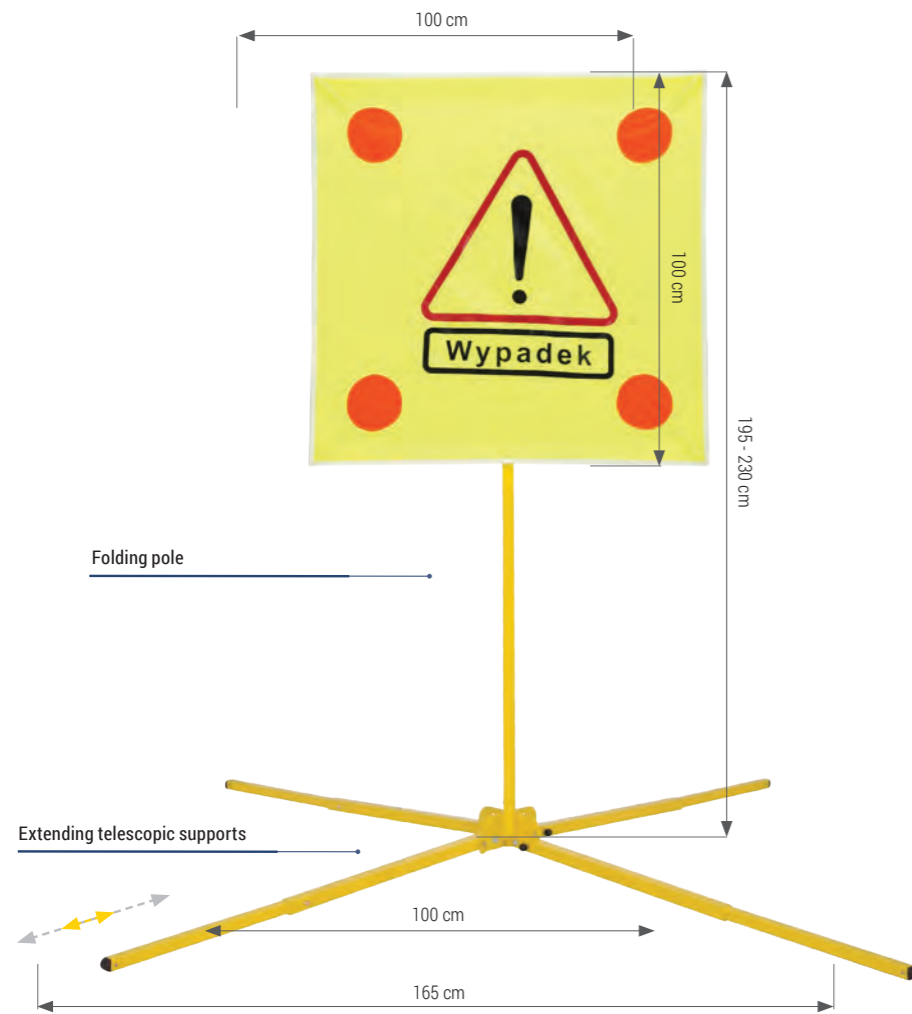
GT 210 02

The GT 210 is a new folding tent with a lightweight aluminum frame with fiberglass tubes. It is used to protect against weather conditions when working in the sewer, manholes, and it can also be on duty as a temporary coordinating staff office.

# ZDR 010

## Folding sign "ACCIDENT"

REF. NO.: ZDR 010



### CARGO BAG



### PARAMETERS

Material:	stand - powder-coated steel sign - polyester, glass fibre
Weight:	14 kg - including cover
Dimensions:	95 x 25 x 25 cm - packed 100 x 100 cm - sign dimensions

REF. NO.:  
ZDR 020

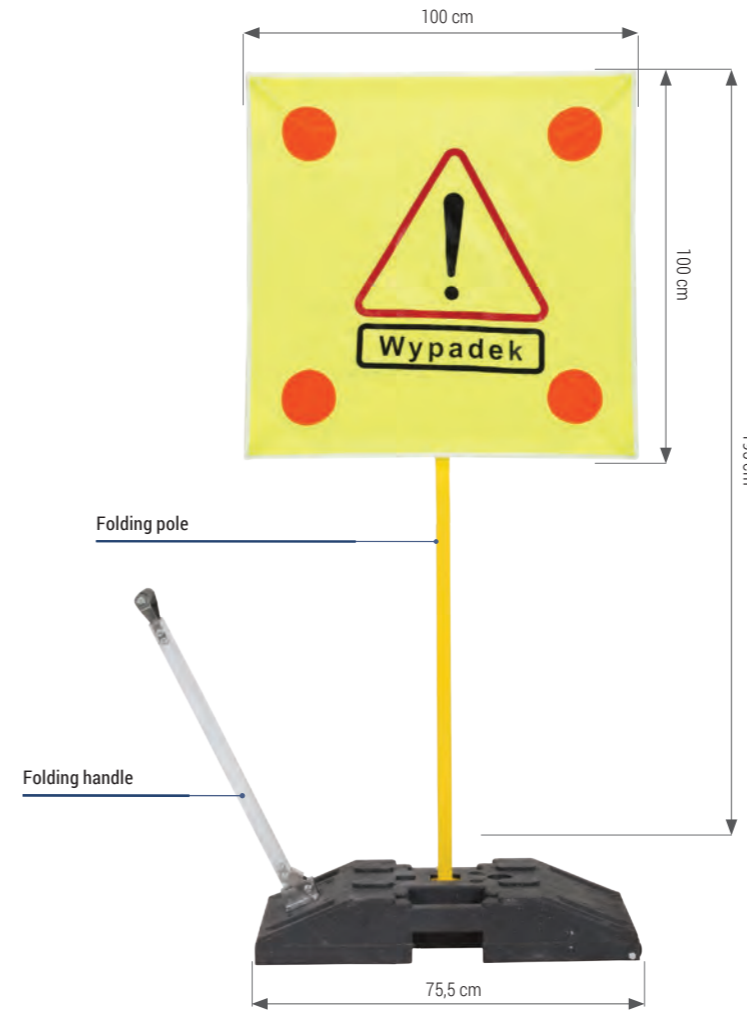
Folding sign ZDR 010 "ACCIDENT" is a portable solution enabling instant marking of a place of accident. The sign stand is made of powder coated steel and glass fibre. The sign fabric is made from Hi-Vis polyester.

- Adjustable height by folding legs.
- Possibility of placing on an uneven ground (each leg can be adjusted separately).
- Adjustable leg length.
- Cover and bag for transport and storage.

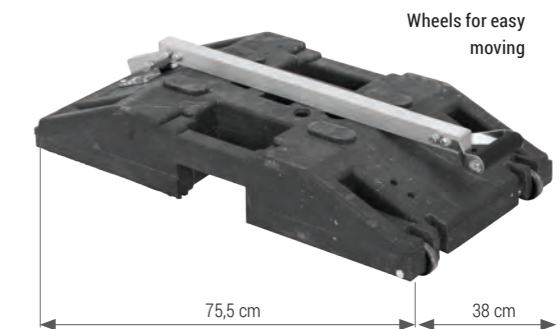
# ZDR 020

## Folding sign "ACCIDENT"

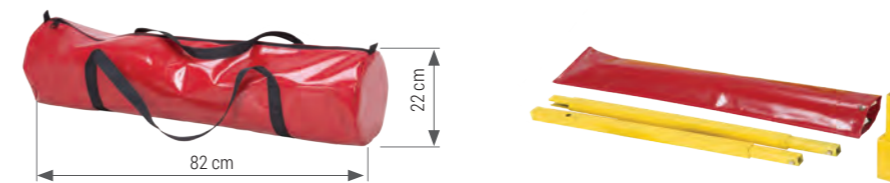
REF. NO.: ZDR 020



### BASE



### CARGO BAG



### PARAMETERS

Material:	stand - powder-coated steel sign - polyester, glass fibre
Weight:	5,00 kg - sign 27,00 kg - base
Dimensions:	95 x 25 x 25 cm - packed 100 x 100 cm - sign dimensions 75,5 x 38 x 14 cm - base

REF. NO.:  
ZDR 010

Folding sign ZDR 020 "ACCIDENT" is a portable solution enabling instant marking of a place of accident. The sign stand is made of powder coated steel. The sign fabric is made from Hi-Vis polyester.

- Portable rubber base with wheels and handle.
- Cover and bag for transport and storage.

# ZDR 040

Extendible road sign „Pyramid”

REF. NO.: ZDR 040



## CARGO BAG



## PARAMETERS

Material:	Galvanized steel PCV HV (High visible)
Weight:	7,5 kg with a cover
Dimensions:	Dimensions of the base - triangle: 125 x 125 x 125 cm 20 x 20 x 120 cm - Transport dimensions: 85 cm - height

REF. NO.:  
ZDR 041

ZDR 040 is a race (with lug) road sign of a "pyramid" type. It is used to mark dangerous places, trenches, road works, etc. Transport and storage in a cover.

# ZDR 041

"Pyramid" type folding road sign

REF. NO.: ZDR 041



## CARGO BAG



## PARAMETERS

Material:	Galvanized steel PCV HV (High visible)
Weight:	6,5 kg with a cover
Dimensions:	Dimensions of the base - triangle: 120 x 120 x 120 cm Transport dimensions: 20 x 20 x 120 cm 85 cm - height

REF. NO.:  
ZDR 040

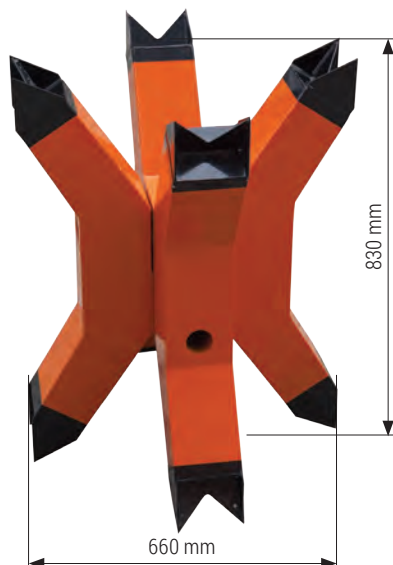
ZDR 041 is a "Pyramid" type folding road sign (with a holder). It is used for marking dangerous points, excavations, road works, etc. Transported and stored in cover.

# DB 100

## Safety barrier

REF. NO.: DB 100

**DB 100 01 (HEAVY VERSION): ~100 KG**



**DB 100 02 (LIGHT VERSION): ~45 KG**



### DESCRIPTION

Safety barrier is used for blocking entrance of vehicles, including heavy vehicles as buses, lorries, coaches, etc. With the barrier it is possible to restrict a "no entry" zone. Using single barriers, it is possible to form a linear row, connect them together with a chain by pulling it through connecting tubes of the barrier.

### SPECIAL FEATURES

- Product can be ordered as either heavy or light
- Other colours on special request
- Both vertical and horizontal (much safer on passing over barrier when driving a vehicle) configuration possible
- Product comprises two flat, identical parts which are folded to a spatial whole to facilitate transport and storage.

### PARAMETERS

Dimensions 660 x 660 x 830 [mm]

Material: Powder coated steel

Weight: Heavy version: ~100 kg,  
Light version: ~45 kg





# RESCUE EQUIPMENT

# MK II

Rescue device

EN 341 CLASS C

REF. NO.: AR 010



Rescue descent device for evacuation of personnel from heights.

Rescue descent device MK II can be used for rescue operations at heights when:

- an accident at work occurred and patient is not able to descend from a height on its own;
- a fall has been arrested by fall protection equipment and patient is far away from structural anchor points.

The MK II device is offered as a kit comprising:

- descending device,
- rescue rope, dia 11 mm,
- webbing sling - AZ 900 30,
- three connectors,
- cargo bag,
- knife.

REF. NO.:

Rope for MK II

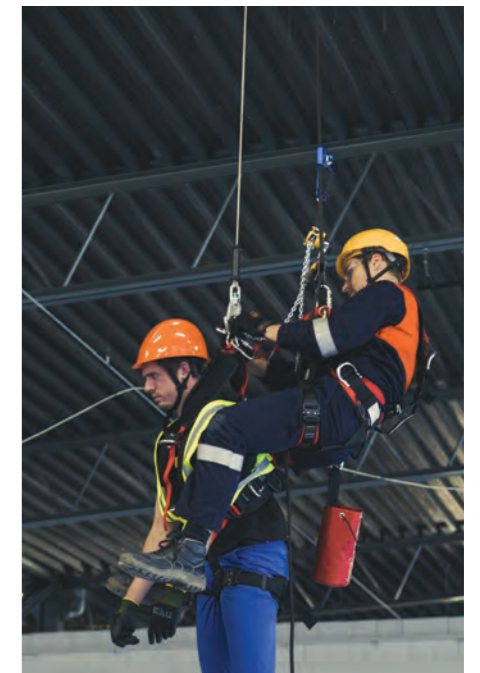
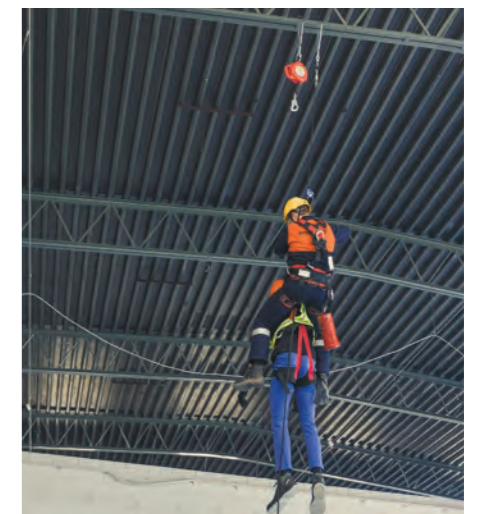
Rescue knife

# AR 020

Auxiliary evacuation device

REF. NO.: AR 020

PRODUCT PRESENTATION



## PARAMETERS

Weight:	1,75 kg
Chain length:	1,5 m
Material:	aluminium, galvanized steel
WLL (working load limit):	200 kg
MBS (minimum breaking strength):	4 kN

The AR 020 auxiliary evacuation kit is used to support the evacuation operation when it is not possible to use the knife to cut off the injured person's rope (e.g. the fall was stopped by means of a self-locking device with a steel rope). The AR 020 support kit can be used to support evacuation using the MK-II (AR 010) device.

**The AR020 auxiliary evacuation kit is not a fall arrest device and cannot be used for such purposes.**

REF. NO.:

AR 020

# AY 201, AY 202

## Trauma strap

REF. NO: AY 201, AY 202



AY 201

AY 202

Trauma strap AY 201 and AY 202 is designed to alleviate the effects of suspension trauma on a worker who has fallen in full body harness. It can be attached to full body harness and enables shifting the worker's body weight onto the leg.



REF. NO.:	LENGTH
AY 201	120 cm
AY 202	105 cm

# AY 205

## Trauma strap

REF. NO.: AY 205



Trauma strap AY 205 consisting of two parts, is a device that facilitates waiting for the arrival of help, in the case of activation of the fall arrest system, and suspension of the user in the safety harness. It can be attached to full body harness at both sides and enables shifting the worker's body weight onto legs. The device has a comfortable strap length adjustment.

REF. NO.:
AY 205

# DX 301

## Triangle rescue seat

EN 1498

REF. NO.: DX 301



### PARAMETERS

Material: polyamide, polyester webbing and PCV

Dimensions: 1310 x 970 mm

REF. NO.:

DX 301

# AT 300

## Rescue lifting sling

EN 354, EN 358

REF. NO.: AT 300



### PARAMETERS

Material: polyamide webbing

Dimensions: 100 x 35 cm

REF. NO.:

AT 300

AT 300 + 3 pcs of AZ 011 connector

# DX 302

## Triangle rescue seat

EN 1497, EN 1498

REF. NO.: DX 302



### PARAMETERS

Material: polyamide, polyester webbing and PCV

Dimensions: 1360 x 900 mm

Weight: 1550 g

Static strength: no less than 12 kN

Maximum user's weight: 140 kg

Minimum breaking strength (MBS): 15 kN

REF. NO.:

DX 302

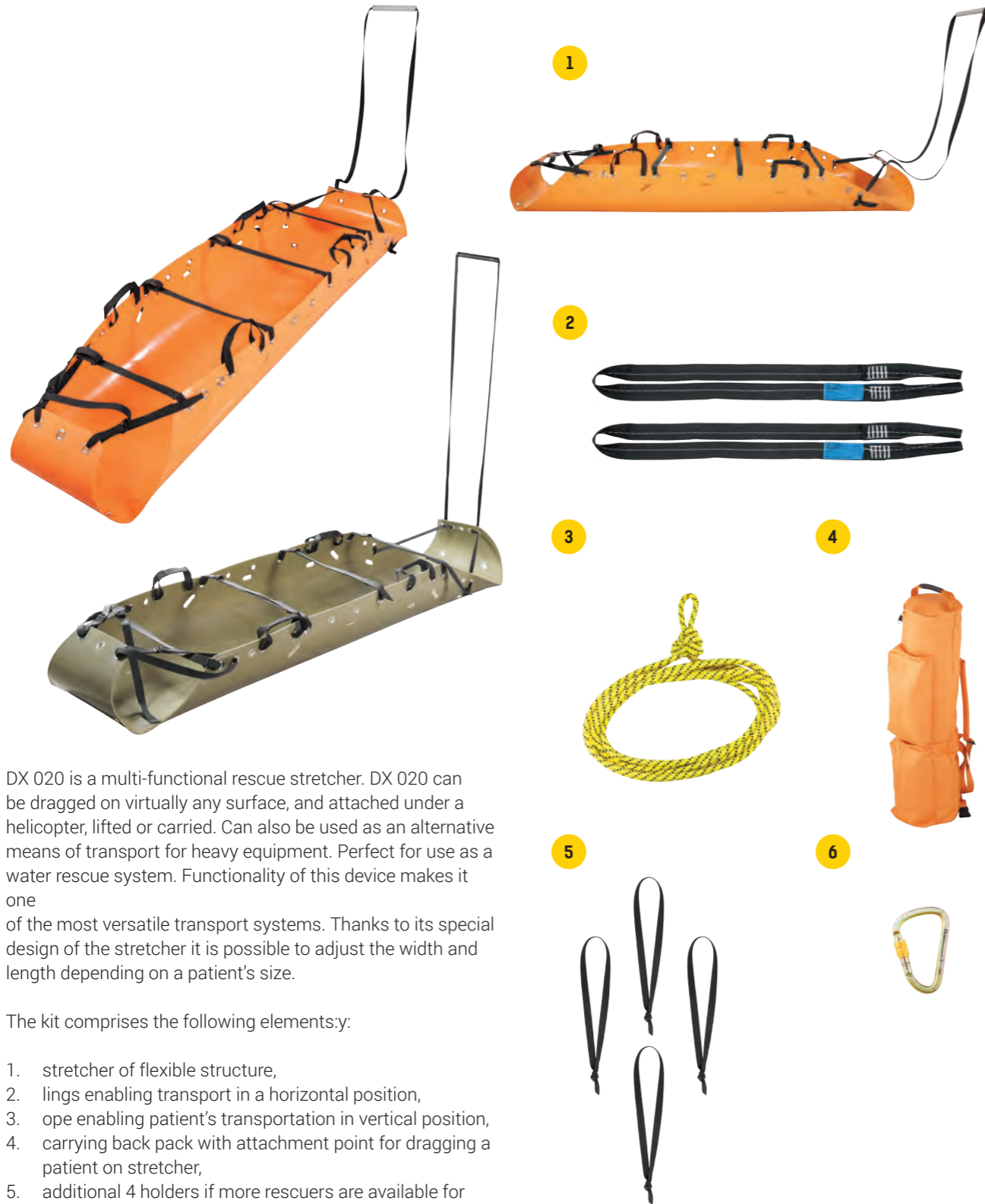


  
**STRETCHERS  
AND  
ACCESSORIES**

# DX 020

Multi-functional rescue stretcher

REF. NO.: DX 020



DX 020 is a multi-functional rescue stretcher. DX 020 can be dragged on virtually any surface, and attached under a helicopter, lifted or carried. Can also be used as an alternative means of transport for heavy equipment. Perfect for use as a water rescue system. Functionality of this device makes it one of the most versatile transport systems. Thanks to its special design of the stretcher it is possible to adjust the width and length depending on a patient's size.

The kit comprises the following elements:

1. stretcher of flexible structure,
2. lings enabling transport in a horizontal position,
3. ope enabling patient's transportation in vertical position,
4. carrying back pack with attachment point for dragging a patient on stretcher,
5. additional 4 holders if more rescuers are available for transporting a patient,
6. connector AZ 018.

Available colours: khaki and orange

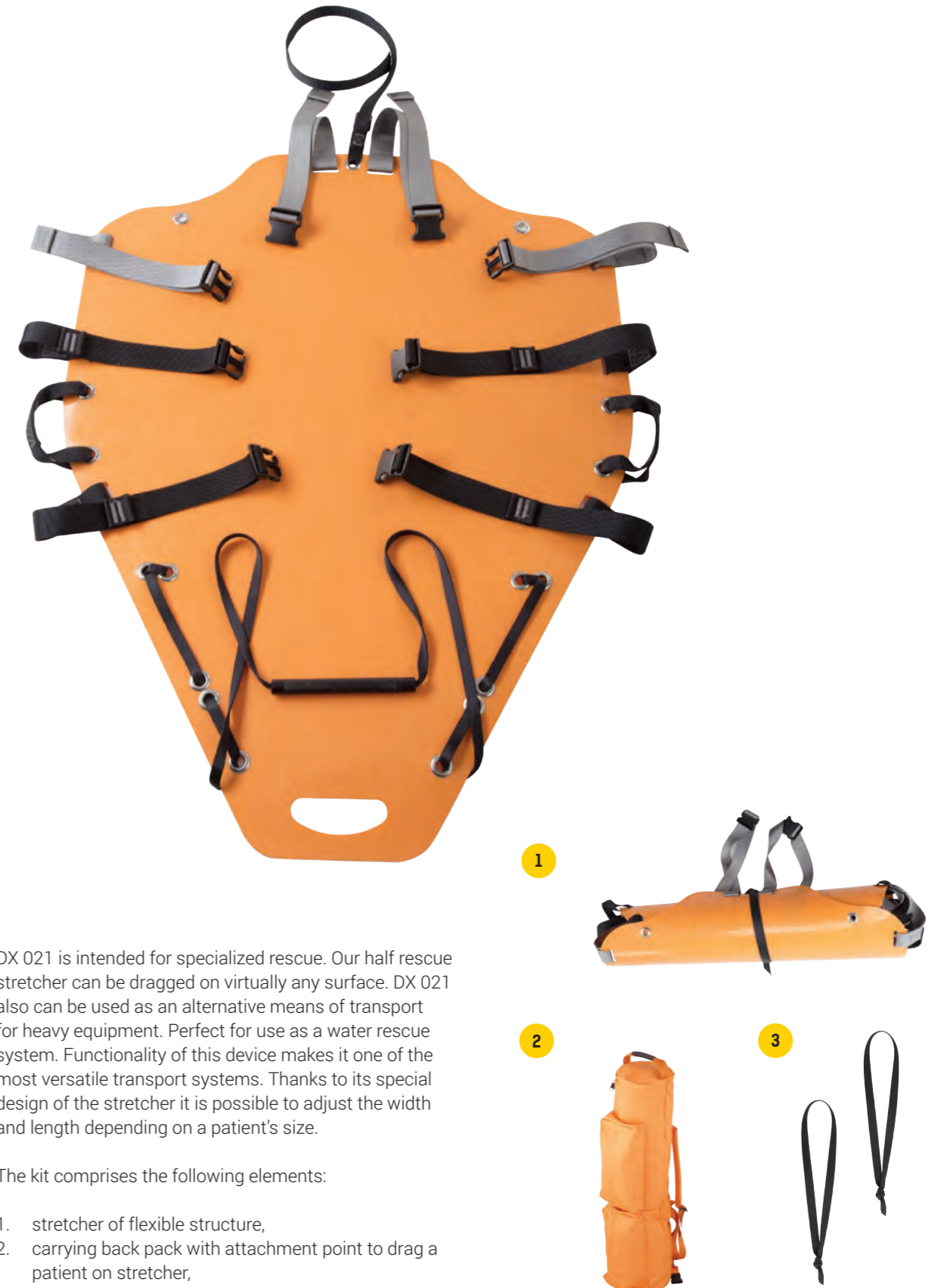
REF. NO.:

DX 020

# DX 021

Half rescue stretcher

REF. NO.: DX 021



DX 021 is intended for specialized rescue. Our half rescue stretcher can be dragged on virtually any surface. DX 021 also can be used as an alternative means of transport for heavy equipment. Perfect for use as a water rescue system. Functionality of this device makes it one of the most versatile transport systems. Thanks to its special design of the stretcher it is possible to adjust the width and length depending on a patient's size.

The kit comprises the following elements:

1. stretcher of flexible structure,
2. carrying back pack with attachment point to drag a patient on stretcher,
3. additional 2 holders if more rescuers are available for transporting a patient,

Available colours: khaki and orange

REF. NO.:

DX 021

## DX 02X 01 Transport backpack

REF. NO.: DX 02X 01



### PARAMETERS

Material: polyester fabric / PVC

REF. NO.:

DX 02X 01

## DX 02X 02 Slings for horizontal transport

REF. NO.: DX 02X 02



REF. NO.:

DX 02X 02 2 pcs

## DX 02X 03 Rope for horizontal transport

REF. NO.: DX 02X 03



### PARAMETERS

Material: polyester

REF. NO.:

DX 02X 03

## DX 02X 04 Transport holders

REF. NO.: DX 02X 04



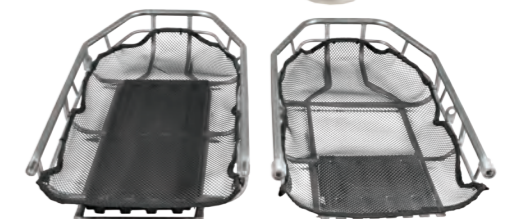
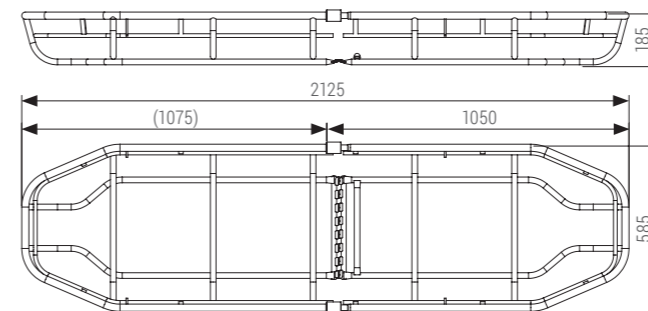
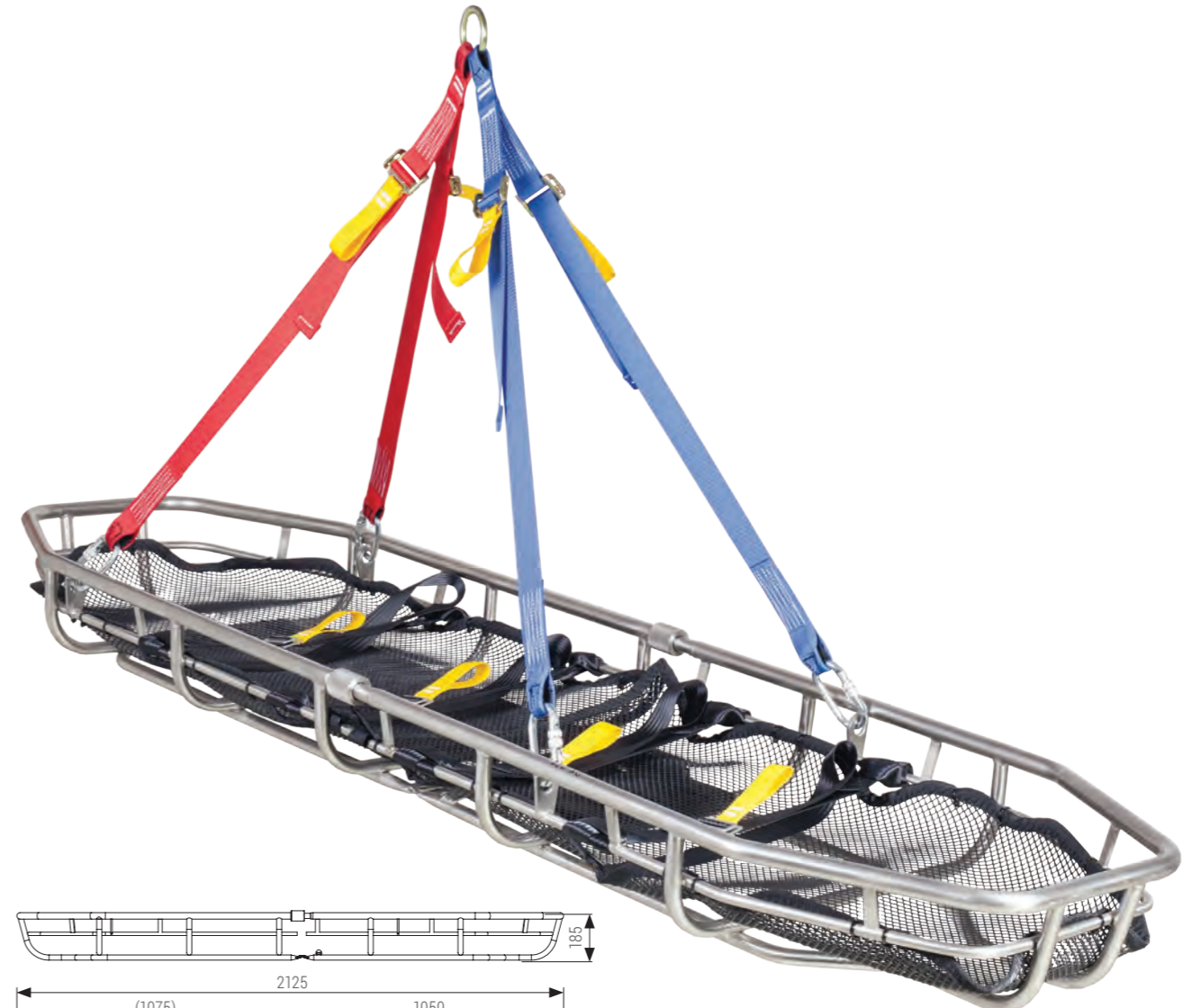
REF. NO.:

DX 02X 04 4 pcs

## DX 030

Folding regular stainless steel stretchers

REF. NO.: DX030



### PARAMETERS

Dimensions: 2125 x 585 x 185 mm

Weight: 15 kg (without slings)

### SPECIAL FEATURES



ON REQUEST, THE DEVICE IS AVAILABLE WITH THE PERMISSION TO WORK IN POTENTIALLY EXPLOSIVE AREAS

REF. NO.:

DX 030

DX 030 is a durable multi-functional rescue stretcher. Can be dragged on many types of surfaces, attached under a helicopter, lifted or carried. Also can be used as an alternative means of transport for heavy equipment. Resistant to mechanical and chemical damages, easy and quick installation.

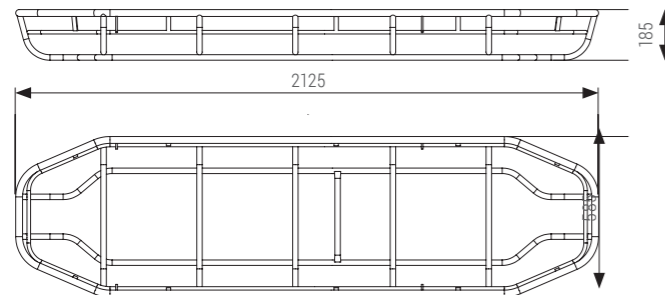
The kit comprises the following elements:

1. stainless steel stretcher,
2. slings enabling transport in a horizontal position,
3. straps for patient stabilisation,
4. connectors AZ 011i - 4 pcs.

# DX 031

Non-folding regular stainless steel stretcher

REF. NO.: DX 031



## PARAMETERS

Dimensions:	2125 x 585 x 185 mm
Weight:	15 kg (without slings)

## SPECIAL FEATURES



ON REQUEST, THE DEVICE IS AVAILABLE WITH THE PERMISSION TO WORK IN POTENTIALLY EXPLOSIVE AREAS

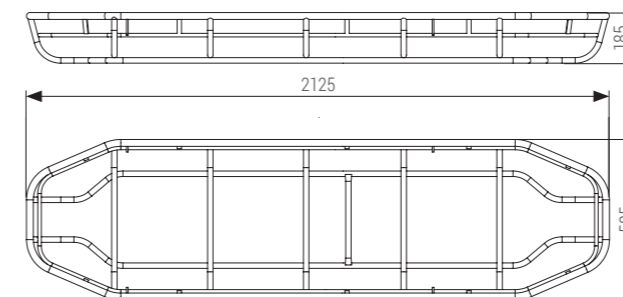
REF. NO.:

DX 031

# DX 031G

Non-folding regular stainless steel stretcher

REF. NO.: DX 031G



## SPECIAL FEATURES



PERMITTED TO WORK IN POTENTIALLY EXPLOSIVE AREAS

## PARAMETERS

Dimensions:	2125 x 585 x 185 mm
Weight:	17 kg (without slings)

REF. NO.:

DX 031G

DX 031G is a durable multi-functional rescue stretcher. Can be dragged on many types of surfaces, attached under a helicopter, lifted or carried. Also can be used as an alternative means of transport for heavy equipment. Resistant to mechanical and chemical damages.

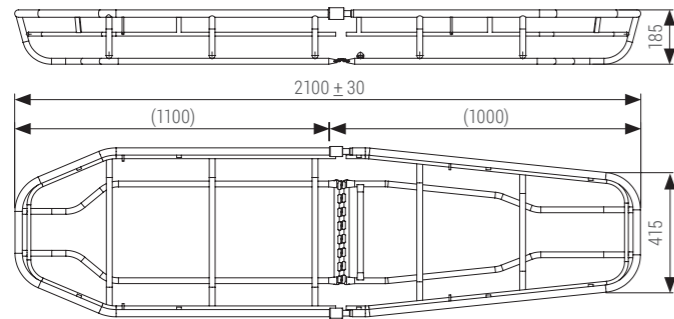
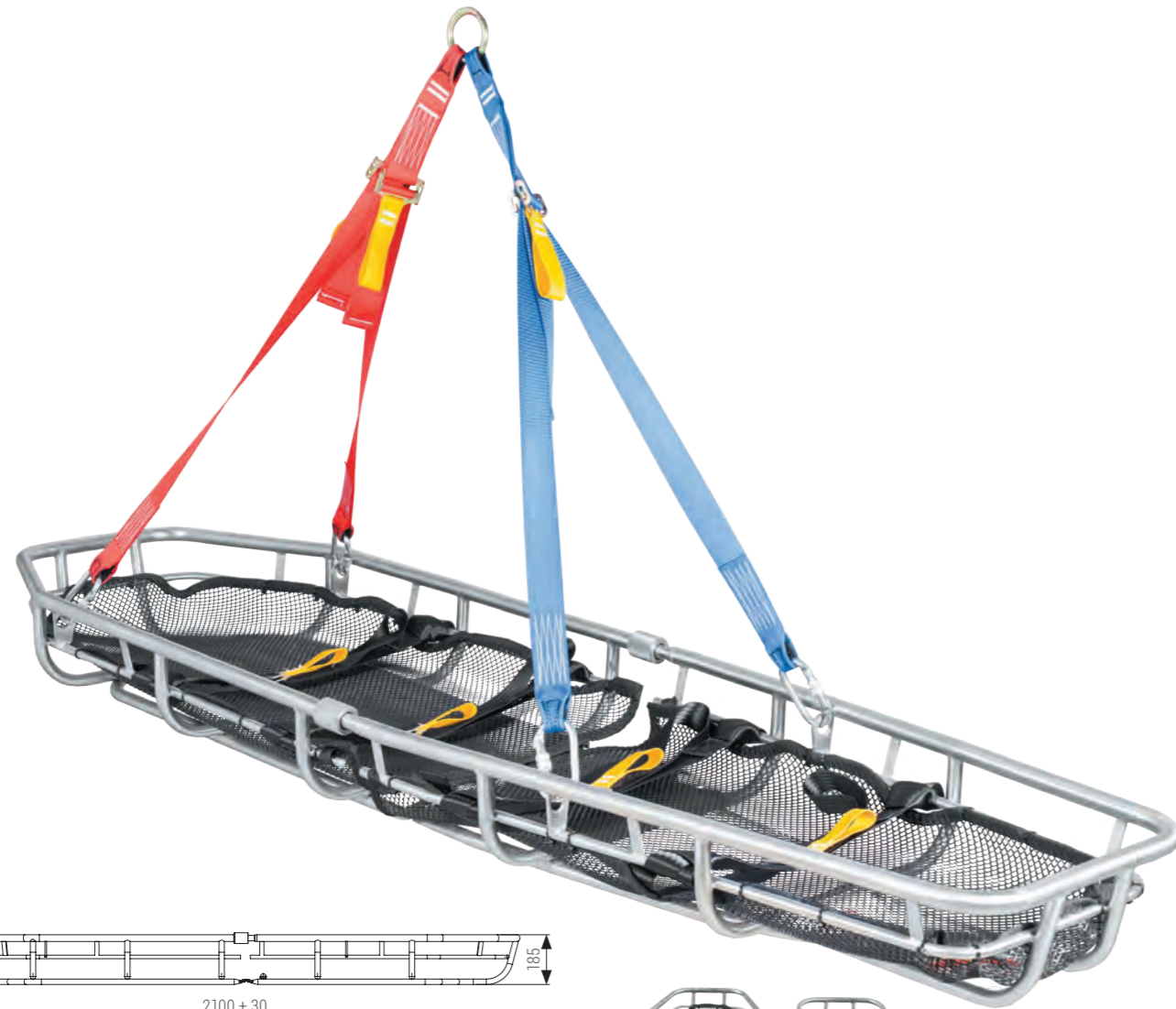
The kit comprises the following elements:

1. stainless steel stretcher,
2. lifting slings,
3. straps for patient stabilisation
4. connectors AZ 011i - 4 pcs.

# DX 032

Non-folding tapered stainless steel stretcher

REF. NO.: DX 032



### PARAMETERS

Dimensions: 2100 x 415 mm

Weight: 15 kg

### SPECIAL FEATURES



ON REQUEST, THE DEVICE IS AVAILABLE WITH THE PERMISSION TO WORK IN POTENTIALLY EXPLOSIVE AREAS

REF. NO.:

DX 032

DX 032 is a durable multi-functional rescue stretcher. Can be dragged on many types of surfaces, attached under a helicopter, lifted or carried. Also can be used as an alternative means of transport for heavy equipment. Resistant to mechanical and chemical damages.

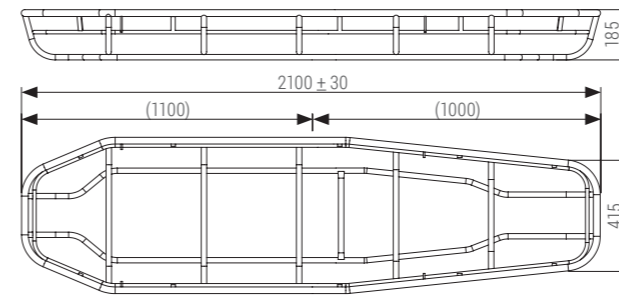
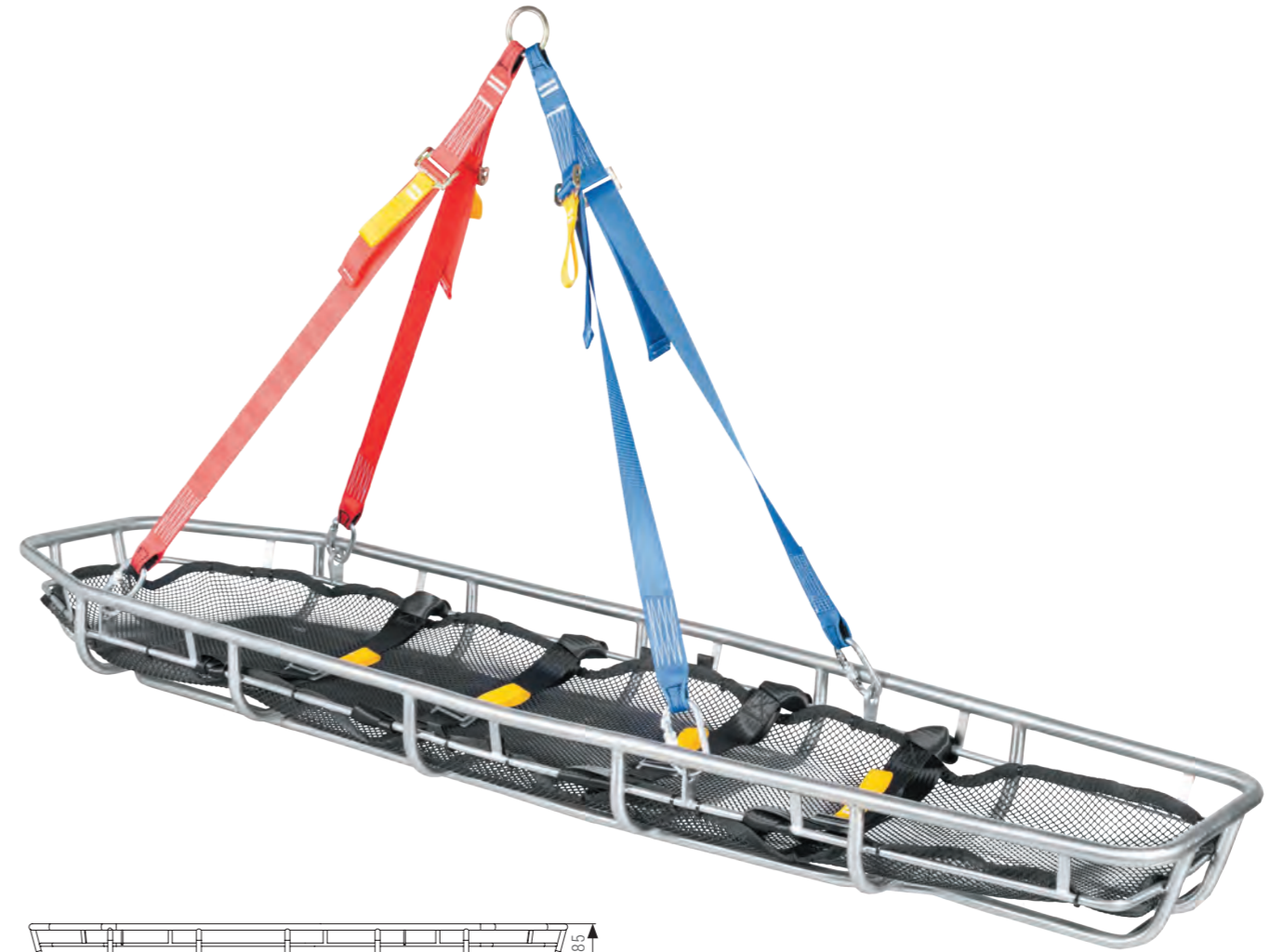
The kit comprises the following elements:

1. stainless steel stretcher,
2. slings enabling transport in horizontal position
3. straps for patient stabilisation,
4. connectors AZ 011i - 4 pcs.

# DX 033

Non-folding tapered stainless steel stretcher

REF. NO.: DX 033



### PARAMETERS

Dimensions: 2100 x 415 mm

Weight: 15 kg

### SPECIAL FEATURES



ON REQUEST, THE DEVICE IS AVAILABLE WITH THE PERMISSION TO WORK IN POTENTIALLY EXPLOSIVE AREAS

REF. NO.:

DX 033

DX 033 is a durable multi-functional rescue stretcher. Can be dragged on many types of surfaces, attached under a helicopter, lifted or carried. Also can be used as an alternative means of transport for heavy equipment. Resistant to mechanical and chemical damages.

The kit comprises the following elements:

1. stainless steel stretcher,
2. lifting slings,
3. straps for patient stabilisation,
4. connectors AZ 011i - 4 pcs.



## DX 03X 01 Slings for horizontal transport

REF. NO.: DX 03X 01



Thanks to sling straps stretcher can be transported in a horizontal position. Can be attached on winches.

Four connectors AZ 011 for easy installation of straps in specially prepared points on the stretcher. Thanks to adjustable length of straps stretcher can be aligned properly, while keeping angles.

Adjustment of individual straps is possible with large attachment points at adjusting buckles, also in difficult conditions (when protective gloves are required).

### PARAMETERS

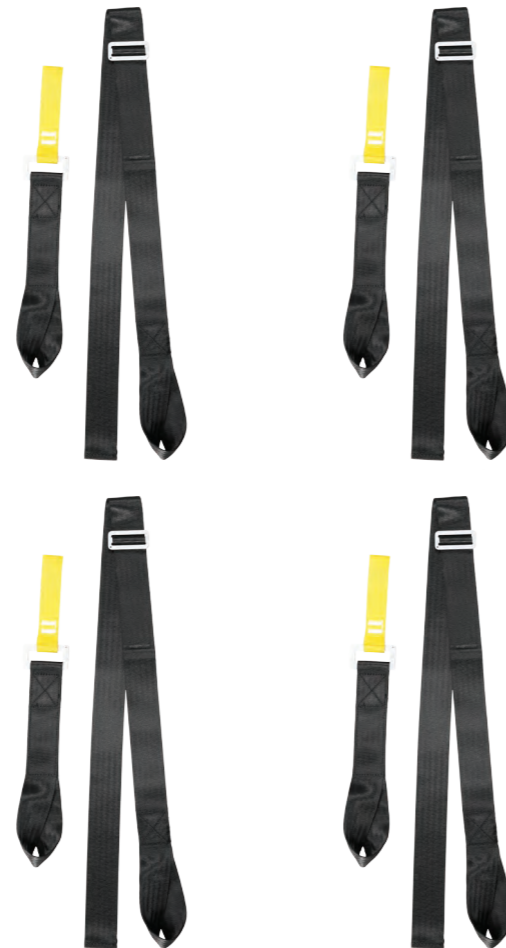
Material: polyester

REF. NO.:

DX 03X 01

## DX 03X 02 Straps for patient stabilisation

REF. NO.: DX 03X 02



Straps are intended to stabilise a patient inside the basket and prevent a patient's motion.

Adjustment of individual straps is possible with large attachment points at adjusting buckles, also in difficult conditions (when protective gloves are required). If worn or soiled straps can be detached, cleaned or replaced.

### PARAMETERS

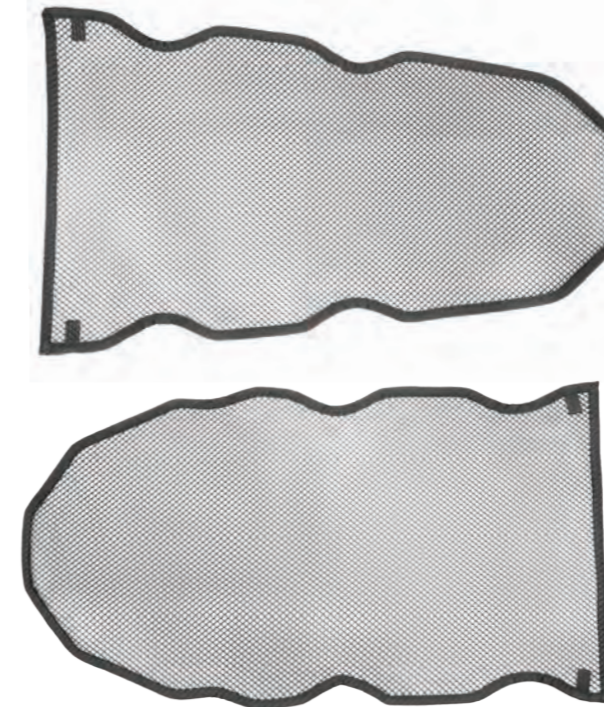
Material: polyester

REF. NO.:

DX 03X 02

## DX 03X 03 Stretcher net bed

REF. NO.: DX 03X 03



Stretcher net bed serves as lining of stretcher basket and prevents the patient from touching the frame of the stretcher.

Made of light and durable composite. Holes enable free water flow (if rescue action is carried out on water). If worn or soiled straps can be detached, cleaned or replaced.

### PARAMETERS

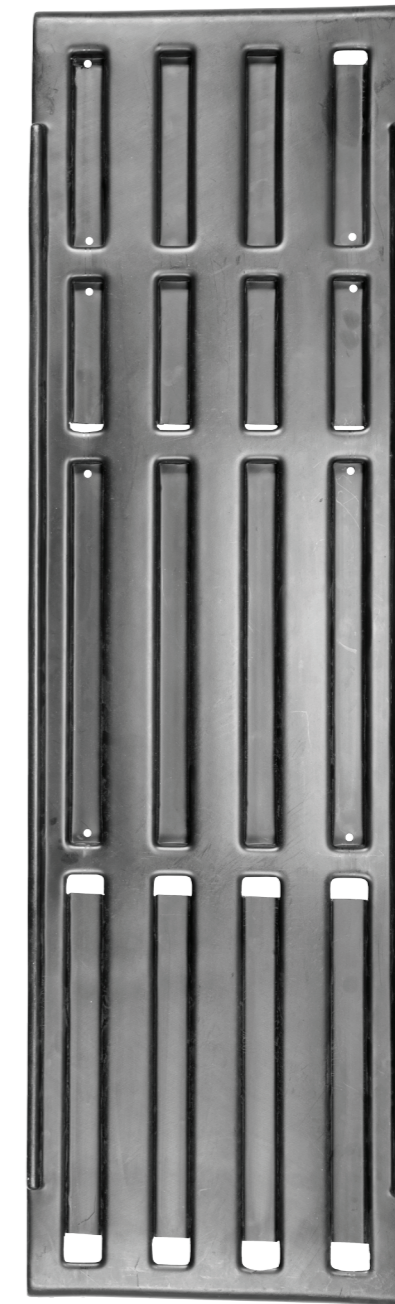
Material: polyester

REF. NO.:

DX 03X 03

## DX 03X 04 Back pad

REF. NO.: DX 03X 04



Back pad is used to stabilise the patient and improve the patient's comfort during a rescue action.

Made from durable composite. Holes prevent water retention (if rescue action is carried out on water).

If worn or soiled straps can be detached, cleaned or replaced.

### PARAMETERS

Material: PE-HD

REF. NO.:

DX 03X 04

## DX 03X 05 Transport holder for stretcher

REF. NO.: DX 03X 05



Transport holders for stretcher are used for comfortable handling of stretchers by rescuers over a long distance. Made of stainless steel. Thanks to special catches holders can be set properly on the stretcher.

With additional catches at the holder ends, they can be attached to harness DX 03X 06.

### PARAMETERS

**Material:** stainless steel

REF. NO.:

DX03X05

## DX 03X 06 Transport harness for stretcher

REF. NO.: DX 02X 06



The harness improves comfort of a rescuer when carrying the stretcher over long distances.

Connectors are used for quick connection of the harness to transport holders on stretcher DX 03X 05.

Webbings have foam padding sewn to improve comfort. With adjustable webbings it is possible to adjust the length of attachment points to a rescuer's height. Chest buckle retains the harness in a required position.

### PARAMETERS

**Material:** polyester

REF. NO.:

DX03X06

## DX 03X 07 Floats

REF. NO.: DX 03X 07



Floats are additional equipment designed for stabilising and supporting the stretcher (including a patient) on the water surface.

The equipment is useful in a rescue action on water reservoirs.

Light and simple structure. Removable and zipped cover. Holders for float hanging and drying. Mounting straps enable quick installation of floats on the stretcher.

### PARAMETERS

**Material:** polyethylene, polyester / PVC fabric

REF. NO.:

DX03X07

## DX 03X 08 Face shield

REF. NO.: DX 02X 08



Face shield is made of light, transparent composite and protects the patient's head against weather conditions (rain, snow, wind).

Clamp and mounting straps enable quick assembly and disassembly if required.

### PARAMETERS

**Material:** PETG (shield), polyamide (clamp)

REF. NO.:

DX03X08

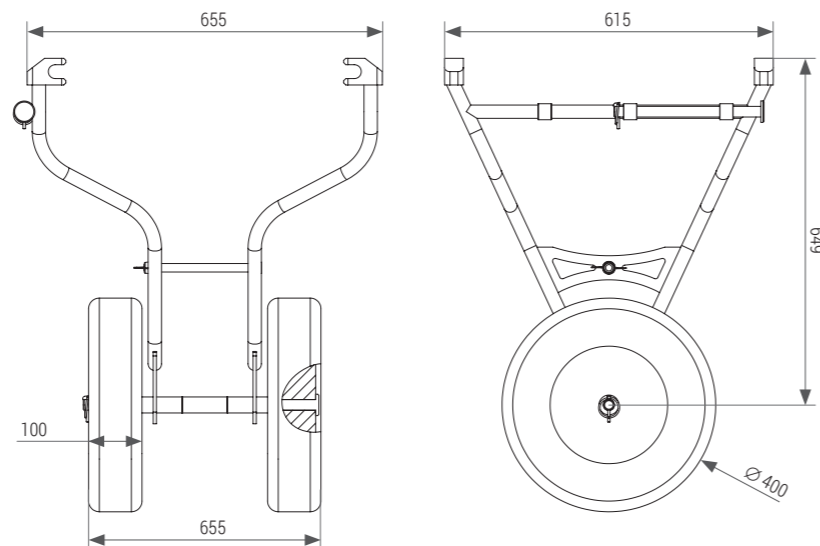
# DX 03X 09

Chassis for stretcher DX 03X

REF. NO.: **DX 03X 09**



COMES WITH TWO WHEELS IMPROVING



## PARAMETERS

Material: stainless steel  
Dimensions: 665 x 615 x 848 mm

REF. NO.:  
DX03X09

# DX 017, DX 018

Steel rescue stretcher

REF. NO.: **DX 017, DX 018**



## PARAMETERS

Material: polyester  
Length of folded stretchers: 1100 mm  
Structure: DX 017 - steel  
DX 018 - aluminium  
Dimensions: 2185 x 500 x 120 mm  
Weight: DX 017 - 10,0 kg  
DX 018 - 4,7 kg

REF. NO.:

DX 017 steel stretcher

DX 018 aluminium stretcher

# DX 017G

Rescue stretcher

REF. NO.: **DX 017G**



## SPECIAL FEATURES



PREMITTED TO WORK IN POTENTIALLY EXPLOSIVE AREAS

## PARAMETERS

Material: cotton  
Length of folded stretchers: 1100 mm  
Structure: steel  
Dimensions: 2185 x 500 x 120 mm  
Weight: 4,7 kg

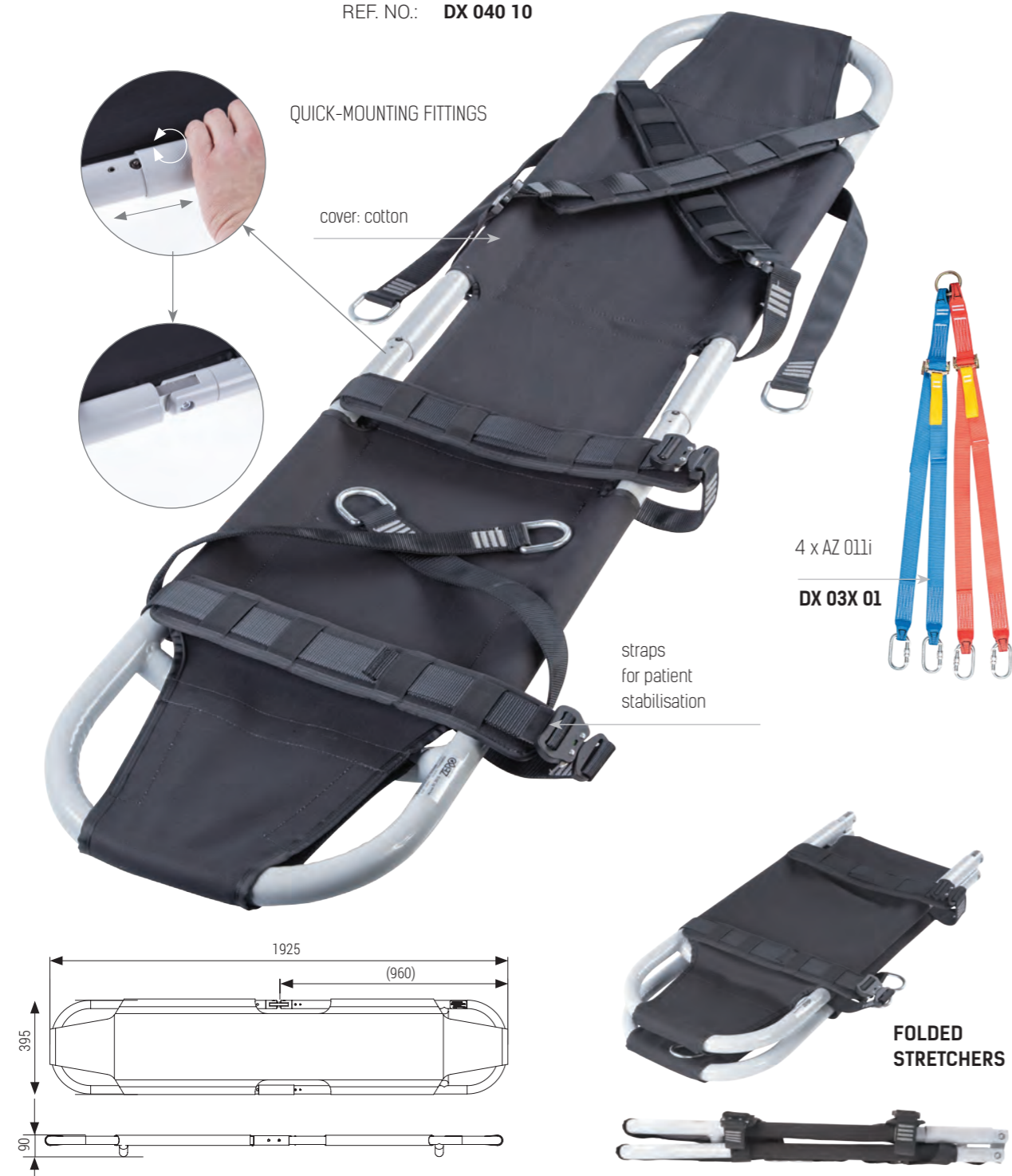
REF. NO.:

DX 017G

# DX 040

Folding aluminium stretcher - cotton

REF. NO.: **DX 040 10**



DX 040 10 is a light folding stretcher suitable for transporting a patient, also in areas with a limited amount of space. Thanks to specially integrated straps DX 040 10 can be carried, lifted and attached. The stretcher also has 4 straps with protective padding for patient stabilisation.

The kit comprises the following elements:

1. folding powder coated aluminium stretcher,
2. straps for patient stabilisation.

REF. NO.:

DX 040 10

DX 03X 01

# DX 040

Folding aluminium stretcher - polyester

REF. NO.: **DX 040 20**



DX 040 20 is a light folding stretcher suitable for transporting a patient, also in areas with a limited amount of space. Thanks to specially integrated straps DX 040 20 can be carried, lifted and attached. The stretcher also has 4 straps with protective padding for patient stabilisation.

The kit comprises the following elements:

1. folding powder coated aluminium stretcher,
2. straps for patient stabilisation.

REF. NO.:

DX 040 20

DX 03X 01

# DX 050

Vacuum mattress

REF. NO.: DX 050



### PARAMETERS

Material:	TPU + polystyrene insert
Kolor:	yellow-grey
Dimensions:	200 x 90 cm

REF. NO.:

DX 050 Vacuum mattress

Vacuum mattress DX 050 is used for immobilisation of patients on roller or basket stretchers. Vacuum mattresses are not designed for constant immobilisation of patients.

The kit comprises the following elements:

1. Mattress
2. Pump
3. Bag

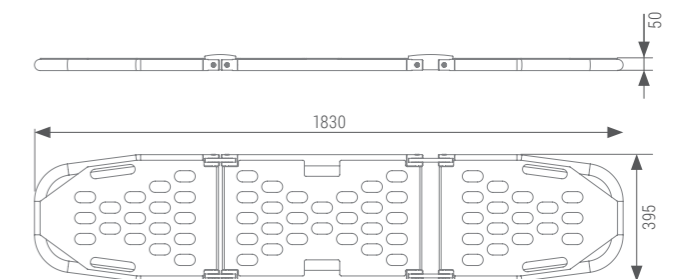
# DX 070

Folding aluminium stretcher

REF. NO.: DX 070



**SIMPLE  
AND QUICK FOLDING  
IN FEW SECONDS!**



### BACKPACK FOR STRETCHER



### PARAMETERS

Material:	aluminium
Weight:	7,60 kg
Dimensions:	1830 x 395 x 50 mm - unfolded 656 x 395 x 138 mm - folded
Kolory:	green, yellow, grey, red, brown, blue, orange, purple

REF. NO.:

DX 070 Folding aluminium stretcher

DX 070 is a folding rescue stretcher for transportation of a patient from place of accident, providing easy and quick assembly. Stretcher DX 070 is resistant to mechanical and chemical damages. Compact dimensions ensure easy transport and storage.

# DX 080

## Cloth stretcher

REF. NO.: **DX 080**



Cloth stretcher DX 080 is elastic and easy to use. With its compact design the stretcher takes up minimum space in transport. This stretcher can be used in situations when stabilisation of patient is not required for transport (when there is no suspicion of a spine or pelvis injury). Cloth stretcher is fitted with eight holders at both longer sides. The stretcher is made from plawil of high resistance to damage and abrasion.

### PARAMETERS

Material:	PVC
Weight:	2,00 kg
Dimensions:	1830 x 395 x 50 mm - unfolded 656 x 395 x 138 mm - folded

REF. NO.:

DX 080



# WATER TANKS

# AT 509

Lightweight 2500 dm<sup>3</sup> portable water storage tank

REF. NO.: AT 509



TANK MADE FROM DURABLE FABRIC **630 g/m<sup>2</sup>**  
Capacity 2500 dm<sup>3</sup>



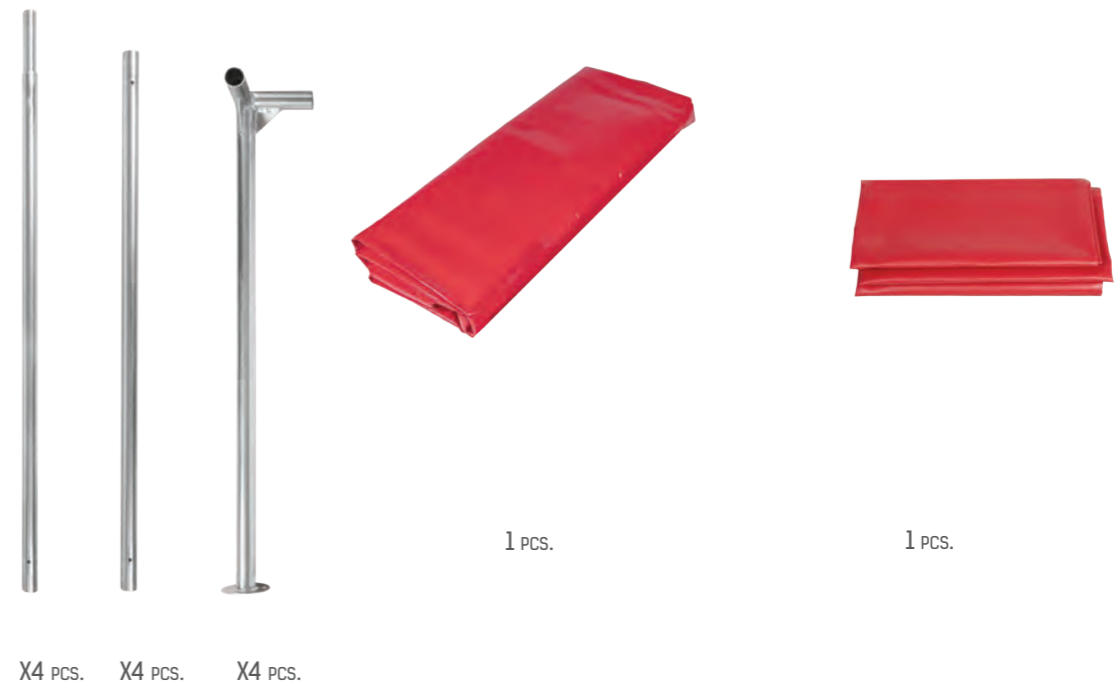
## TANK WITH TARPAULIN COVER

### TANK MATERIAL (PLAWIL PVC) MEETS THE FOLLOWING REQUIREMENTS:

- concerning entry 51/52 of Regulation (EC) No 552/2009 amending Annex XVII to REACH Regulation (EC) No 1907/2006 (previously restricted by Directive 2005/84/EC) as regards the phthalates content (DBP, BBP, DEHP, DINP, DNOP, DIDP),
- of the RoHS Directive 2011/65/EC Annex II, recasting Directive 2002/95/EC, for cadmium (Cd), lead (Pb), mercury (Hg), hexavalent chromium (CrVI), polybrominated biphenyls (PBB) and polybrominated diphenyl ethers (PBDE). Testing performed by SGS-CSTC Standard Technical Service Co., Ltd.

### PARAMETERS

Weight (tank + frame + bag)	~27.25 kg
Dimensions when unfolded (external)	183 x 183 x 82 cm
Dimensions when folded (bag)	120 x 50 x 36 cm
Unfolding/folding time	3 min
Tank fabric weight	630 g/m <sup>2</sup>
Tank fabric thickness	0.5 mm



### AVAILABLE COLOUR VARIANTS:



NO. REF.:

AT 504

Portable water tank with capacity of 2500 dm<sup>3</sup> is designed for storing water. It can be used in water supply systems during rescue and firefighting actions.

The kit comprises:

- folding rack made of powder coated steel,
- tank made from PVC coated fabric,
- tank tarpaulin made from PVC coated fabric,
- tank cover made from PVC coated fabric.

The tank has drain sleeve for water discharging.



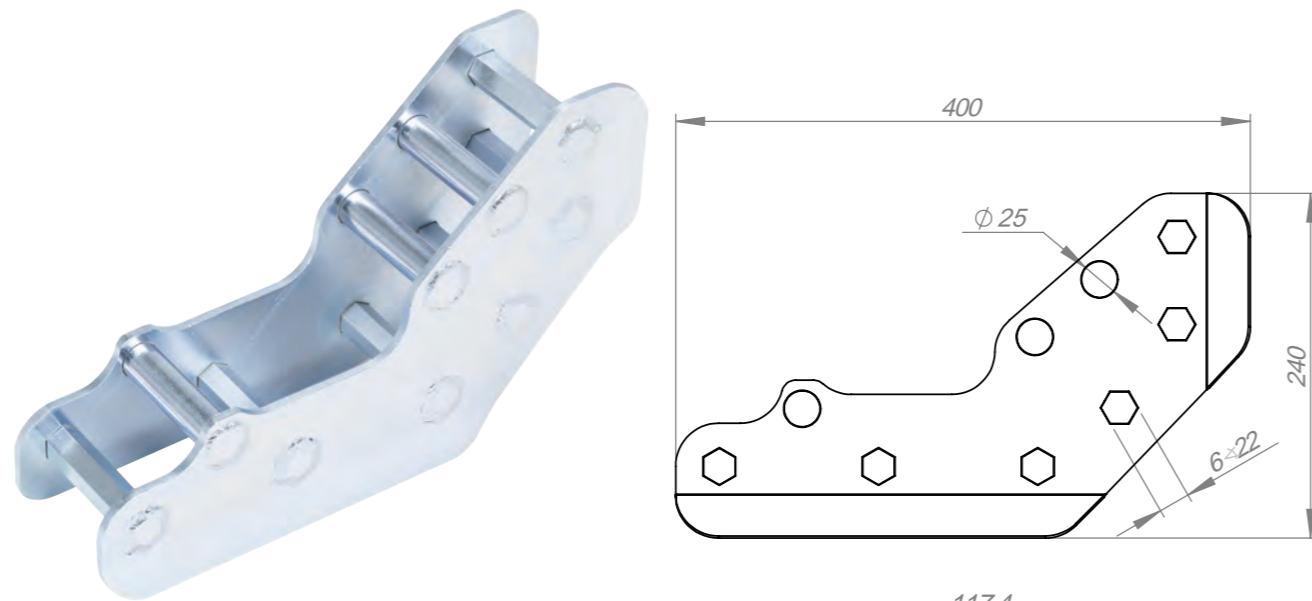




# ADDITIONAL ACCESSORIES

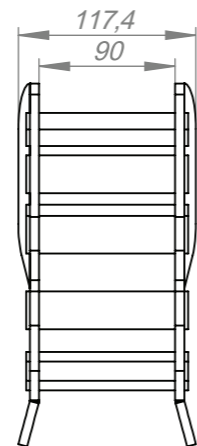
# HM070

## Sill bracket (Holmatro type)



The threshold bracket (Holmatro type) provides stable support during operations using Holmatro column spreaders. It has 3 stable support points for the tool. It is suitable for any vehicle. It comes in two versions: Standard and NCT.

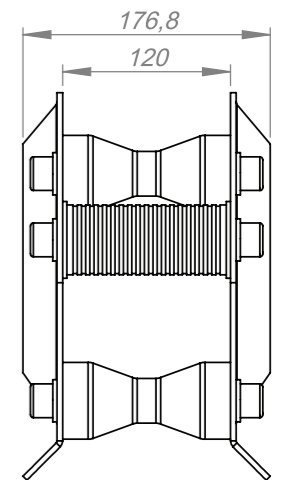
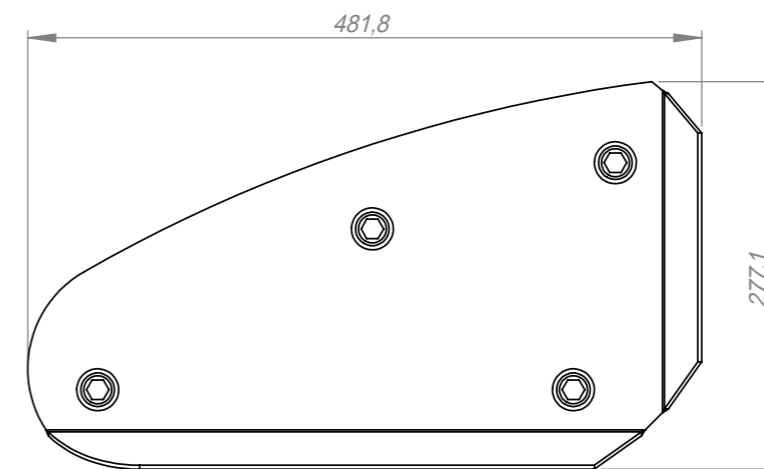
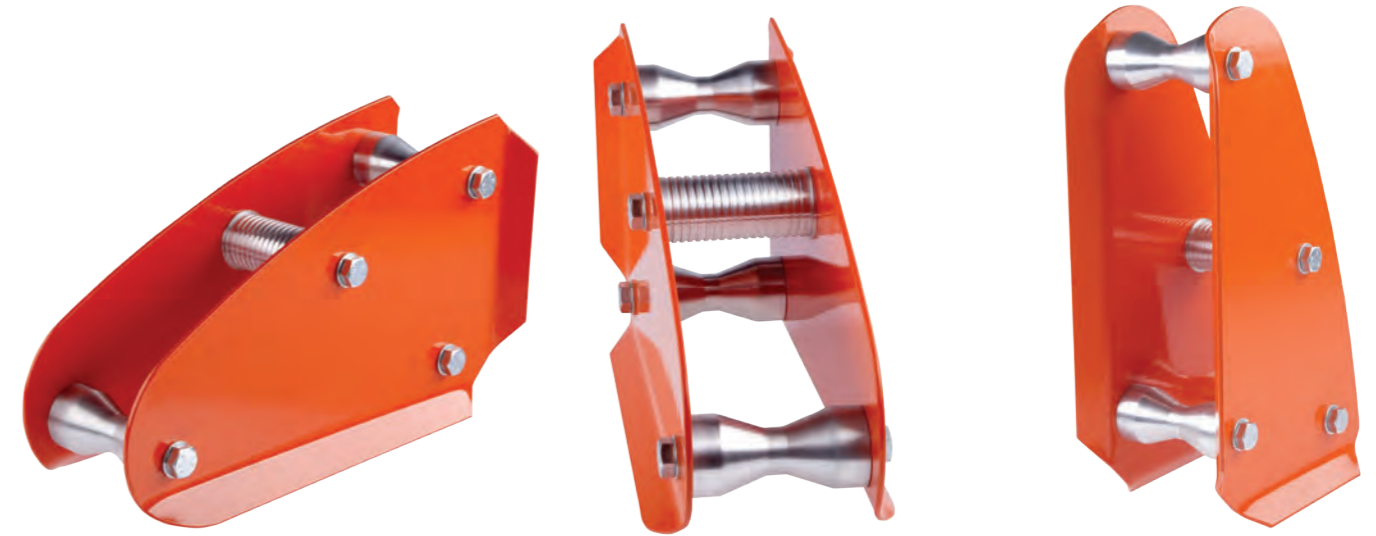
DIMENSIONS:	400 x 240 x 117 mm
MATERIAL:	galvanized steel
WEIGHT:	7,6 kg



# HM071

## Ram support (Lukas type)

REF. NO.: HM071



### PARAMETERS

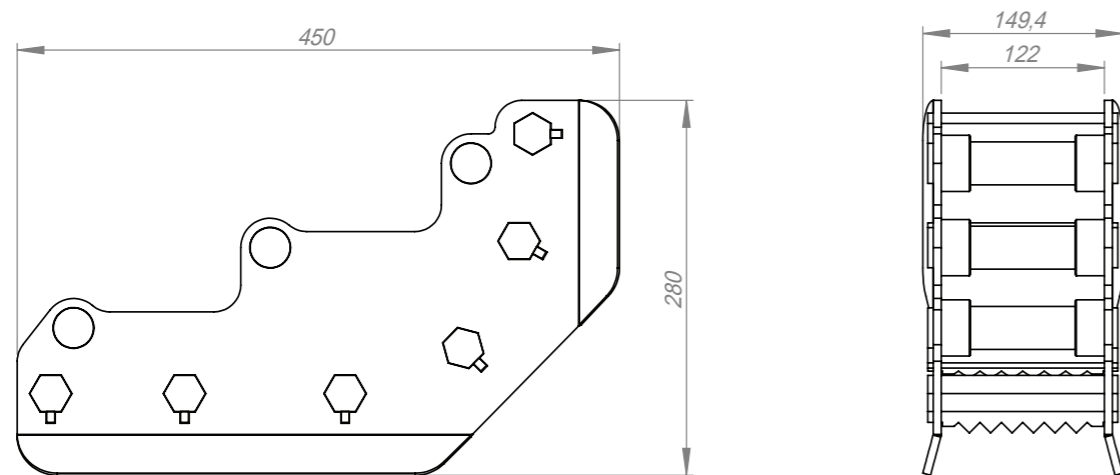
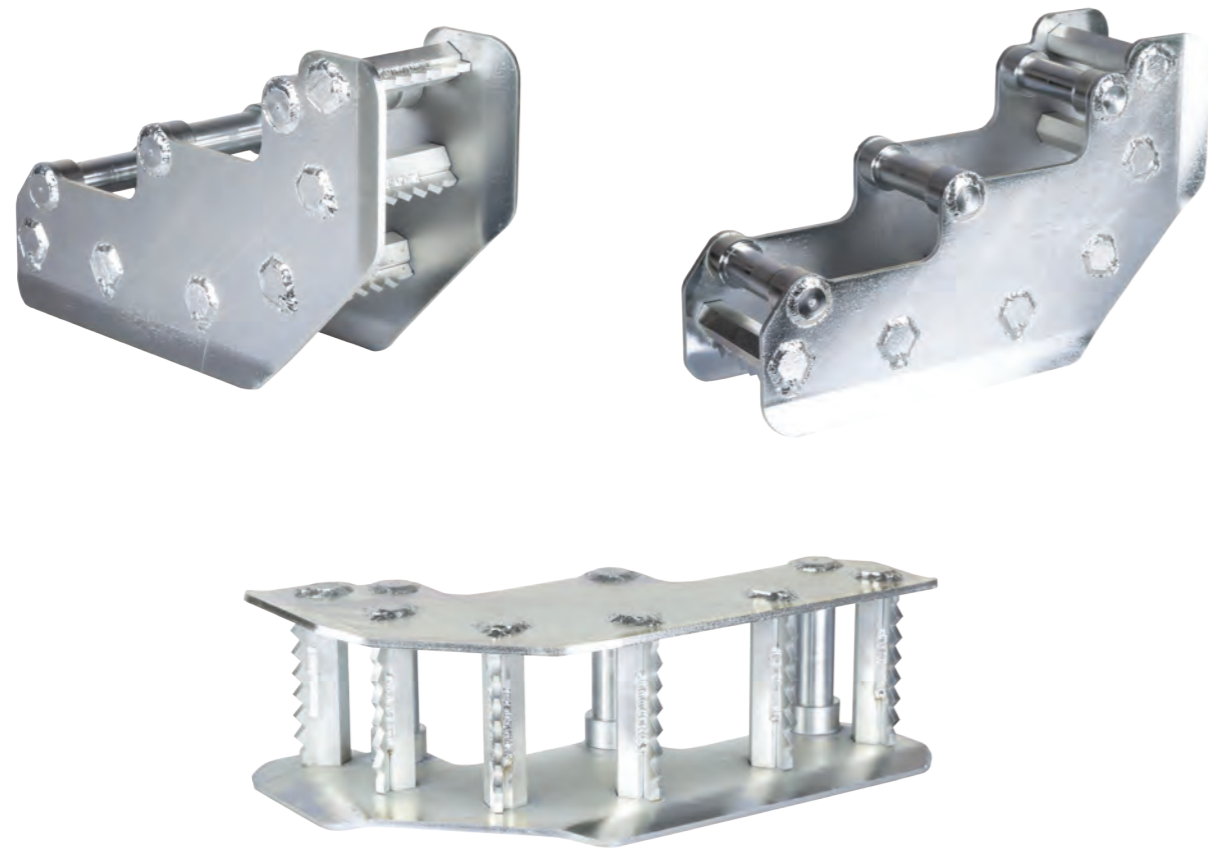
Dimensions	481 x 227 x 177 mm
Material	sheets - powder-coated steel rollers - aluminium
Weight:	9,9 kg

Ram support (Lukas type) provides a stable support when using Lukas expanders. Has 3 stable support point for the tool.

Suitable for any vehicle.

# HM072

Sill bracket (Holmatro type)



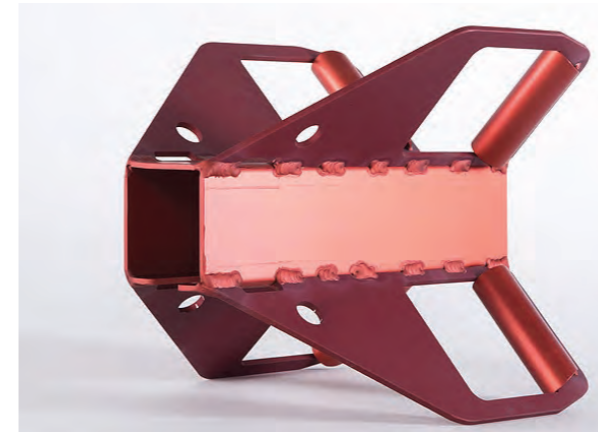
The lightweight threshold bracket provides stable support during operations using column spreaders. It has 3 stable support points for the tool. It is suitable for any vehicle. It comes in two versions: Standard and NTC.

### PARAMETERS

DIMENSIONS	450 x 280 x 149 mm
MATERIAL:	galvanized steel
WEIGHT:	14,2 kg

# HR 001

Hose rescue



Hose Rescue is an innovative system that allows you to quickly and effectively remove an injured person from water or ice floes without endangering rescuers. It is designed on the basis of the W-75 fire hose. On one side, it ends with a head for filling the hose using various sources of compressed air. The second one has a hose guide that allows you to correct the driving path by rotating it.

Connecting several sections gives us the opportunity to create a makeshift barrier to prevent the spread of oil spills.

### The set includes:

- hose 30 m
- filling head
- hose guide
- cap with protection
- cylinder + reducer
- kit bag
- set of spare O-rings



# Catalogues 2023/24

SCAN THE QR CODE  
AND VIEW THE CATALOGUES

**PROTEKT**  
MANUFACTURER OF FALL PROTECTION EQUIPMENT

## PERSONAL PROTECTIVE EQUIPMENT

1

- Fall protection kits
- Full body harnesses, protective clothing
- Energy absorbers and lanyards
- Guided type and retractable type fall arresters
- Connectors
- Industrial safety helmets, eye and hearing protection

Ropes

- Rope edge guards and rope sleeves
- Working rope installation equipment
- Work positioning belts and devices
- Pole climbers and tree climbing spikes
- Anchor points and devices
- Ladders, scaffolds and platforms
- Lifting and descending devices
- Ground tents, screens and safety barriers
- Additional accessories

2022/23



**PROTEKT**  
MANUFACTURER OF FALL PROTECTION EQUIPMENT

## SAFETY TRIPODS AND WINCHES

2

- Personal tripods
- Material tripods
- Personal and material combo tripods
- Rescue devices & lifting devices
- Tripod sets

2022/23




**PROTEKT**  
MANUFACTURER OF FALL PROTECTION EQUIPMENT

## PERMANENT ANCHORAGE SYSTEMS

3

- Permanent anchor points
- Anchor points
- Horizontal line systems
- Horizontal rail systems
- Vertical line systems
- Vertical rail system
- Safety ladders
- Safety barriers
- Skylight security system
- Mobile man anchor

2022/23




**PROTEKT**  
MANUFACTURER OF FALL PROTECTION EQUIPMENT

## LIGHTWEIGHT PORTABLE GANTRIES

4

- Compact gantries
- Standard gantries
- Lifting beams
- LIFERA
- Slings

2022/23



**PROTEKT**  
MANUFACTURER OF FALL PROTECTION EQUIPMENT


## ARBORISTS EQUIPMENT

5

TreeUP

- Harness for arborists
- Safety harness
- Warning vest
- Tree climbing spikes and spare parts
- Work positioning device
- Tool straps
- Lifting and lowering device
- Pulleys and pulleys block
- Carabiners
- Telescopic poles
- Ropes
- Proasks
- Accessories
- Arborist's trolleys

2022/23




**PROTEKT**  
MANUFACTURER OF FALL PROTECTION EQUIPMENT

## FIRE-FIGHTING AND RESCUE EQUIPMENT

6

- Fireman belts
- Rope hangers and fire-fighter's rescue ropes
- Carabiners
- Work ropes and work positioning lanyards
- Full body harnesses
- Ground tents, screens and safety barriers
- Rescue equipment
- Stretchers and accessories
- Water tanks
- Additional accessories

2022/23



**PROTEKT**  
MANUFACTURER OF FALL PROTECTION EQUIPMENT

## TOOL LANYARDS AND BAGS

7

GET BAG

- Transport sacks
- Transport backpacks
- Transport bags
- Tool and transport bucket
- Equipment covers bags
- Arborist baskets
- Transport sacks Dry Bag
- Tool lanyards
- Tool bags and belts

2022/23



**PROTEKT**  
MANUFACTURER OF FALL PROTECTION EQUIPMENT

## MOBILE FALL PROTECTION WORK STATIONS

8

- Mobile anchor rail
- Rotary arm
- Movable platforms
- Mobile aluminium cranes
- Safety horizontal webbings
- Anchor points type B
- Anchor beams
- Anchor systems type C

2022/23



**PROTEKT**  
MANUFACTURER OF FALL PROTECTION EQUIPMENT

## INDUSTRIAL PROTECTIVE HELMETS

9

ATRA

- Industrial safety helmet
- Face shields and hearing protectors
- Thermal Safety Helmet Liners

2022/23



# PROTEKT®

USE IMAGINATION | PROTECT YOUR LIFE

WWW.PROTEKT.UK

## COMPANY ADDRESS - OFFICE

Skromna 6  
93-405 Lodz  
POLAND  
Phone: +48 42 680-20-83  
Fax +48 42 680-20-93

## EXPORT SALES DEPARTMENT

export@protekt.com.pl  
Phone: +48 42 29 29 500  
fax +48 42 680-20-93

## WAREHOUSE

Gombrowicza 6  
93-405 Lodz  
POLAND

## REGISTER ADDRESS

PROTEKT Grzegorz Łaskiewicz Spółka z o. o.  
ul. Starorudzka 9  
93-403 Lodz  
POLAND

KRS 0001009727  
NIP [Tax Id No.] 7292747932  
REGON [Business Id No.]: 524047958