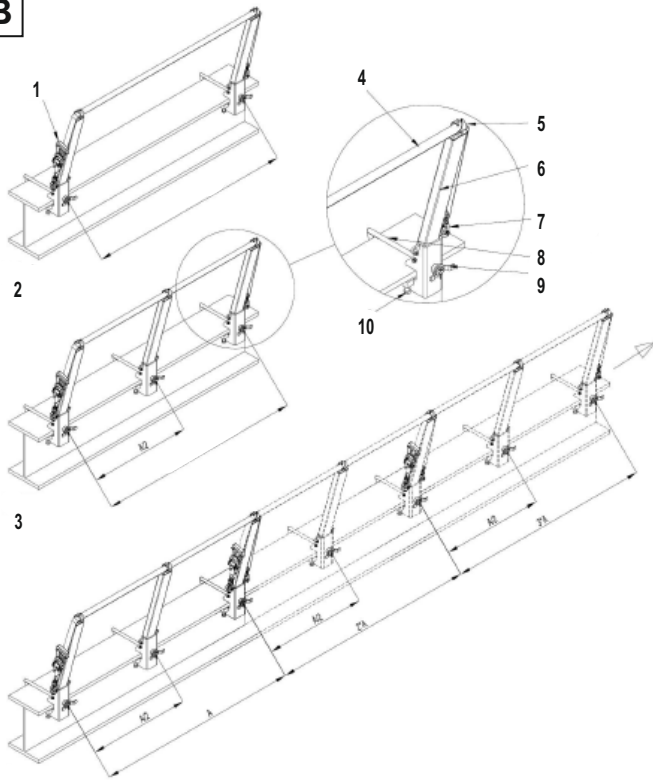
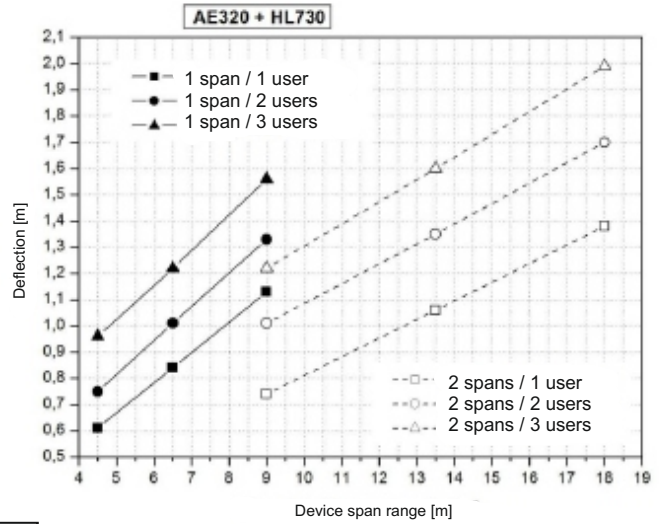
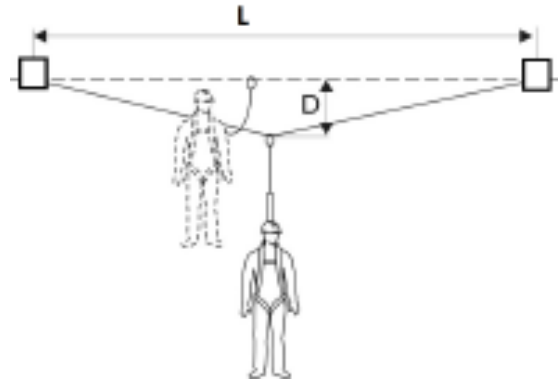


B



11

E



C


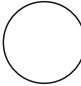
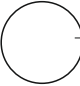
Fall protection equipment
HORIZONTAL ANCHOR SYSTEM

TEMP

EN 795:2012 / CEN/TS:16415:2013 - Class C

Serial no.: 0000001 Date of installation: MM.YYYY

DO NOT USE AFTER DATE OF INSPECTION

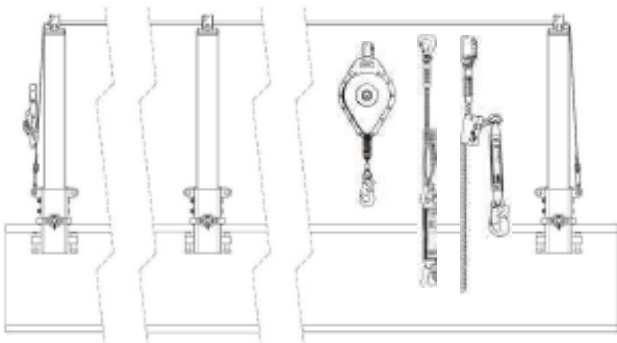




NOTE! READ INSTRUCTION MANUAL

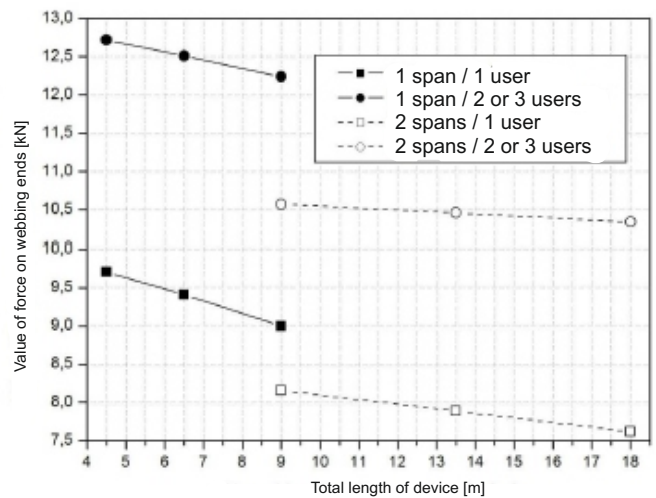
1. Keep a required free space under the user in a place of a potential fall in accordance with instruction manual.
2. Number of co-users - 3
3. Use with personal fall protection equipment in accordance with EN 363.

PROTEKT®

D



F



GB - NOTICE: Read and fully understand these instructions before using this equipment.

A. DESCRIPTION

Safety horizontal webbing system TEMP (B) is an equipment to which personal fall protection equipment can be connected. It ensures full protection and also provides possibility to move along its guide. The TEMP system is an anchor device Class C for personal fall protection equipment, according to EN 795:2012 and document CEN/TS 16415:2013. The system comprises horizontal guide made from textile webbing. The guide is attached to a permanent structure at structural anchor points by means of support posts. The TEMP system can be used by multiple users at the same time, according to an individual marking on the data plate. Each horizontal anchor system is equipped with a data plate as shown in C. The data plate includes basic information on use of the system and individual serial number, date of installation (month and year) and date of next inspection.

B. GENERAL INFORMATION

1. Tensioning mechanism for safety horizontal webbing
2. Single-span system
3. Two-span system
4. Safety horizontal webbing
5. Post head HL202
6. Post HL730
7. Snap hook for safety horizontal webbing
8. Main screw
9. Wing nut
10. Mounting screw
11. Multi-span system

