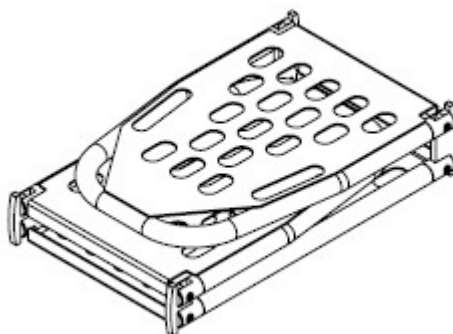
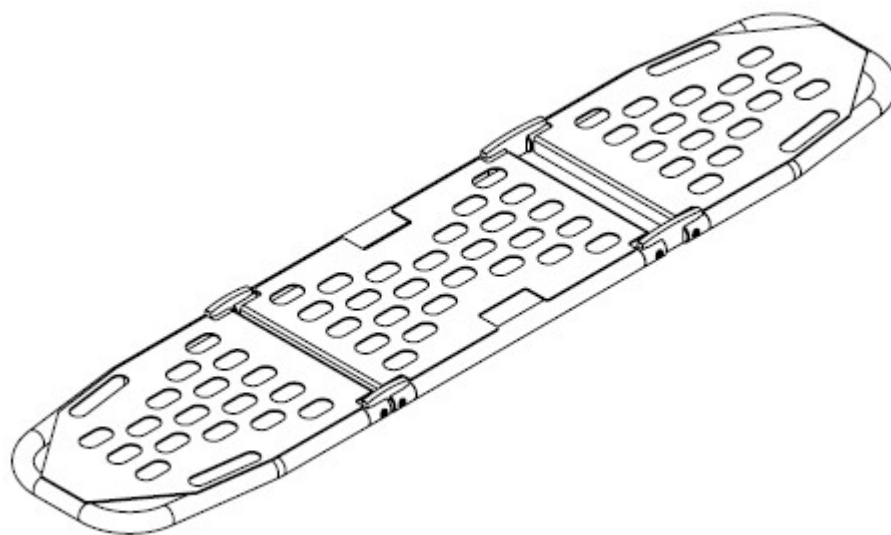


**Rescue Stretcher  
DX070**

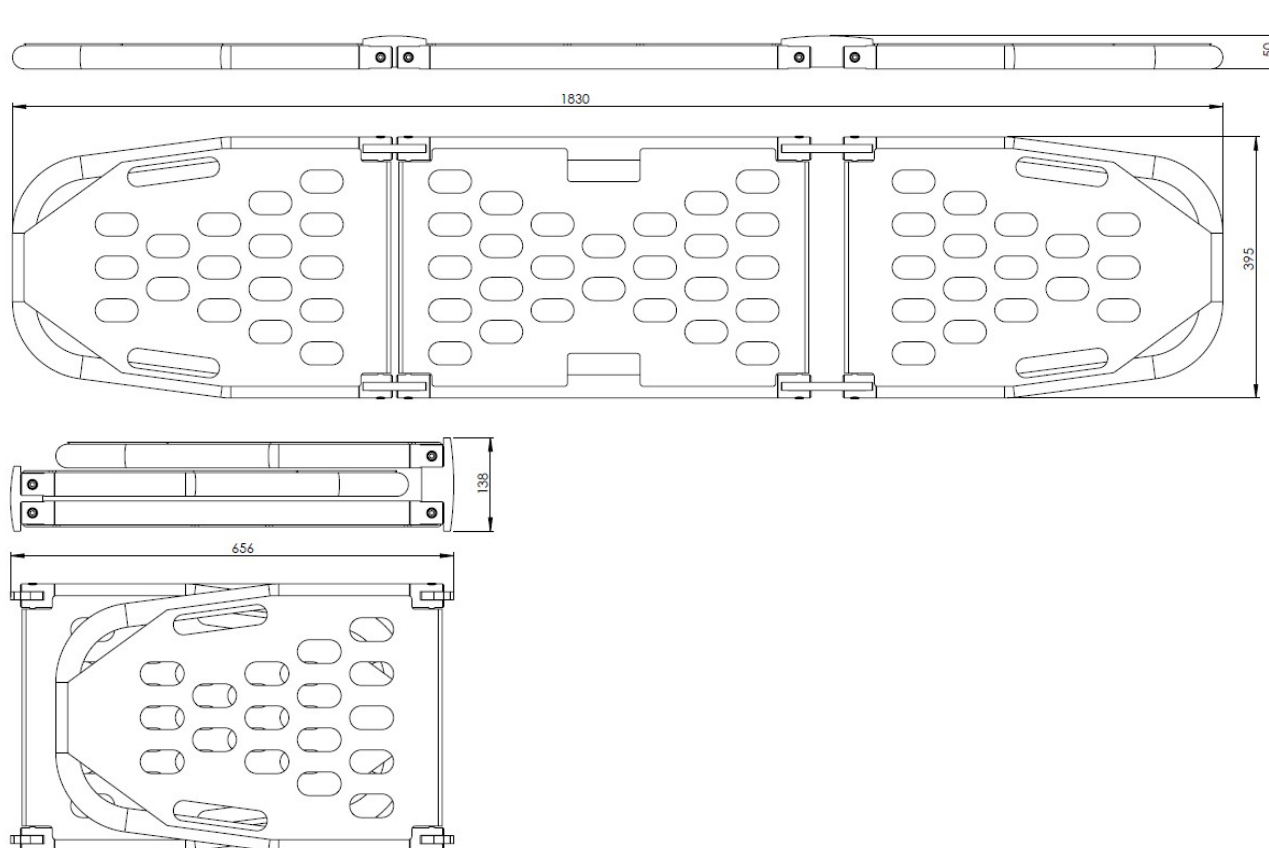


## 1. Description

The DX070 folding aluminum stretcher is ergonomic and easy to use. Its compatible design means that it takes up little space during transport. This stretcher is used where stiffening is required for transporting the injured person (where there is a suspicion of spinal or pelvic damage). The folding aluminum stretcher is equipped with six handles located on both longer sides. The stretcher is made of high-strength aluminum. The stretcher meets the requirements of the PN-EN 1865-1:2010 standard.

**The DX070 stretcher is designed to carry and transport people maximal weight 150 kg.**

## 2. Dimensions



[mm]

## 3. Using

The DX070 aluminum stretcher must be unfolded so that the sheet metal is on the injured person's side. To ensure proper transport of the patient, he must be placed in the middle of the stretcher.

#### **4. Instructions for use**

The DX070 aluminum stretcher should be carried by 2 or 4 people. If necessary, two additional people holding the stretcher by the middle handles on both sides can help during transport. The rescuers should be evenly distributed around the stretcher. This will avoid unnatural or tiring positioning of the patient or deterioration of their health during transport. After leaving the difficult to access area, the patient should immediately be placed on a means of transport suitable for transport (vacuum mattress, board-type stretcher, etc.).

#### **5. Cleaning and disinfection**

For cleaning and quick disinfection, it is enough to wash the stretcher with a mild agent containing soap. Aluminum stretchers are easily washable using a cleaning agent up to 60°C.

For disinfection, use an alcohol-based disinfectant and cleaning agent (e.g. MERIDA DESINFECTIN COMPLEX M430 PLUS)

After cleaning and/or disinfection, the aluminum stretcher must be set aside to dry. Aluminum stretchers should not be dried with a dryer or hot air jet. The stretcher should be completely dry before folding, storing and reusing. Pay particular attention to the hinges, where moisture can accumulate and the drying process may take a little longer.

#### **6. Warranty and warranty conditions**

The manufacturer provides a 12-month warranty for the DX070 aluminum stretcher. The manufacturer guarantees that the product is free from material defects and those resulting from the production process.

The manufacturer is responsible for the safety, reliability and operation of its products only if:

- ⌚ service, repairs, adjustments and modifications are performed by the manufacturer or persons authorized by him,
- ⌚ the product was used properly, strictly in accordance with the instructions for use, in accordance with the terms of this warranty the manufacturer is not liable for any accidental or consequential damages or damages resulting from repairs or modifications made without his authorization, as well as caused by random events or improper use of the product or its parts.

The warranty does not cover normal wear and tear, stains, discoloration, fading or other minor damage that does not reduce the usability of the product.

#### **7. Periodic inspection**

- ⌚ Periodic inspection (at least once a year) should be carried out by a competent person (from PROTEKT or an authorized service of the manufacturer).
- ⌚ In case of any ambiguities, contact the manufacturer, PROTEKT.

Control activities:

- Checking for cracks, material damage
- Checking the completeness and presence of elements
- Checking screw connections / hinges
- Checking the paint coating