



# PROTEKT®

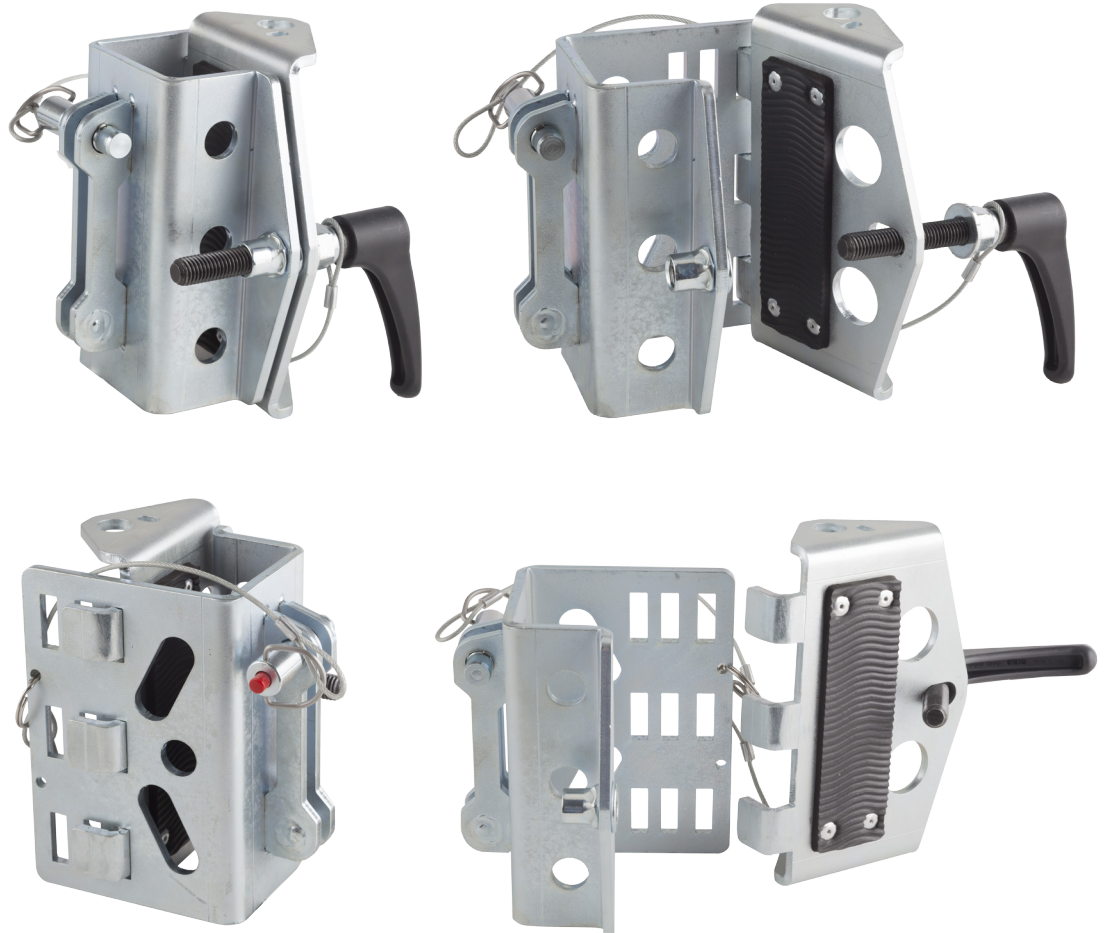
# UTB

## Universal tripod bracket with steel cable



Ref. no.: AT017-300

UTB with cable 1,25 m



### PARAMETERS

Weight:	2250 g
Material:	galvanized steel, rubber, plastic
Static strength:	21 kN

**The universal tripod bracket (UTB) can be attached to all tripods in the Protekt range.** It is compatible with the following winches: RUP502-U / RUP503-U / RUP504 / RUP505-U / RUP506. Installation of the CRW200 using an additional PAD100-310 bracket and CRW300 using an additional PAD100-320 bracket.

[WWW.PROTEKT.EU](http://WWW.PROTEKT.EU)

# PROTEKT®

REGISTERED ADDRESS - PROTEKT Grzegorz Łaskiewicz Sp. z o.o. Starorudzka 9, 93-403 Lodz, POLAND

OFFICE / SALE DEPARTMENT - Skromna 6, 93-405 Lodz, POLAND Phone +48 42 29-29-500, export@protekt.com.pl, fax +48 42 680-20-93

WAREHOUSE - Gombrowicza 6, 93-405 Lodz, POLAND



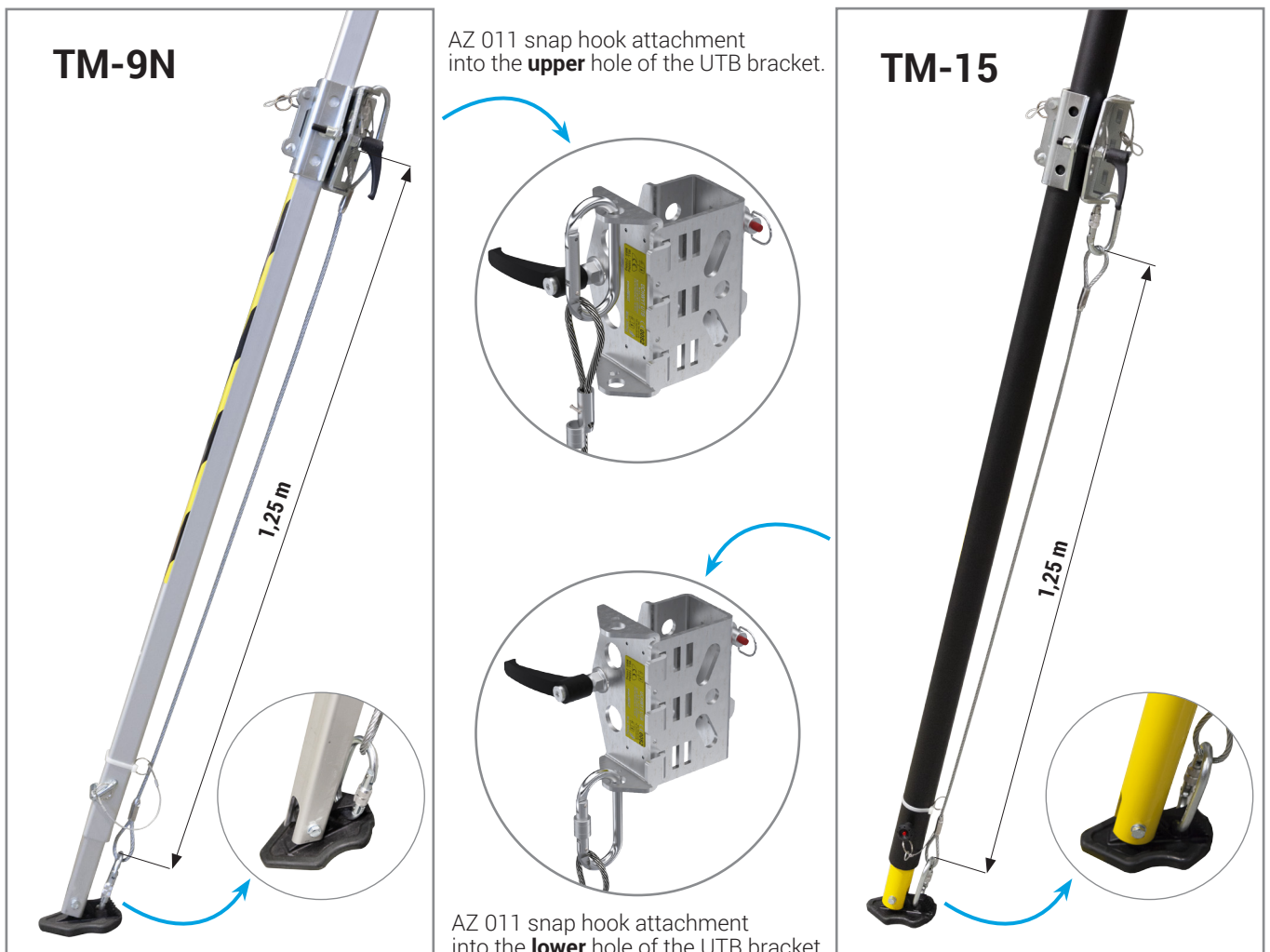
# UTB

SET - Ref. no.: AT017-370

UTB bracket with 6.3 mm thick steel cable with a length of 1.25 m, together with 2 snap hooks AZ 011 constitutes an indispensable set for assembly with safety tripods.



An example of mounting a UTB bracket with a 1.25 m cable to tripod legs.



WWW.PROTEKT.EU

**PROTEKT**<sup>®</sup>

REGISTERED ADDRESS - PROTEKT Grzegorz Łaszkiwicz Sp. z o.o. Starorudzka 9, 93-403 Lodz, POLAND

OFFICE / SALE DEPARTMENT - Skromna 6, 93-405 Lodz, POLAND Phone +48 42 29-29-500, export@protekt.com.pl, fax +48 42 680-20-93

WAREHOUSE - Gombrowicza 6, 93-405 Lodz, POLAND