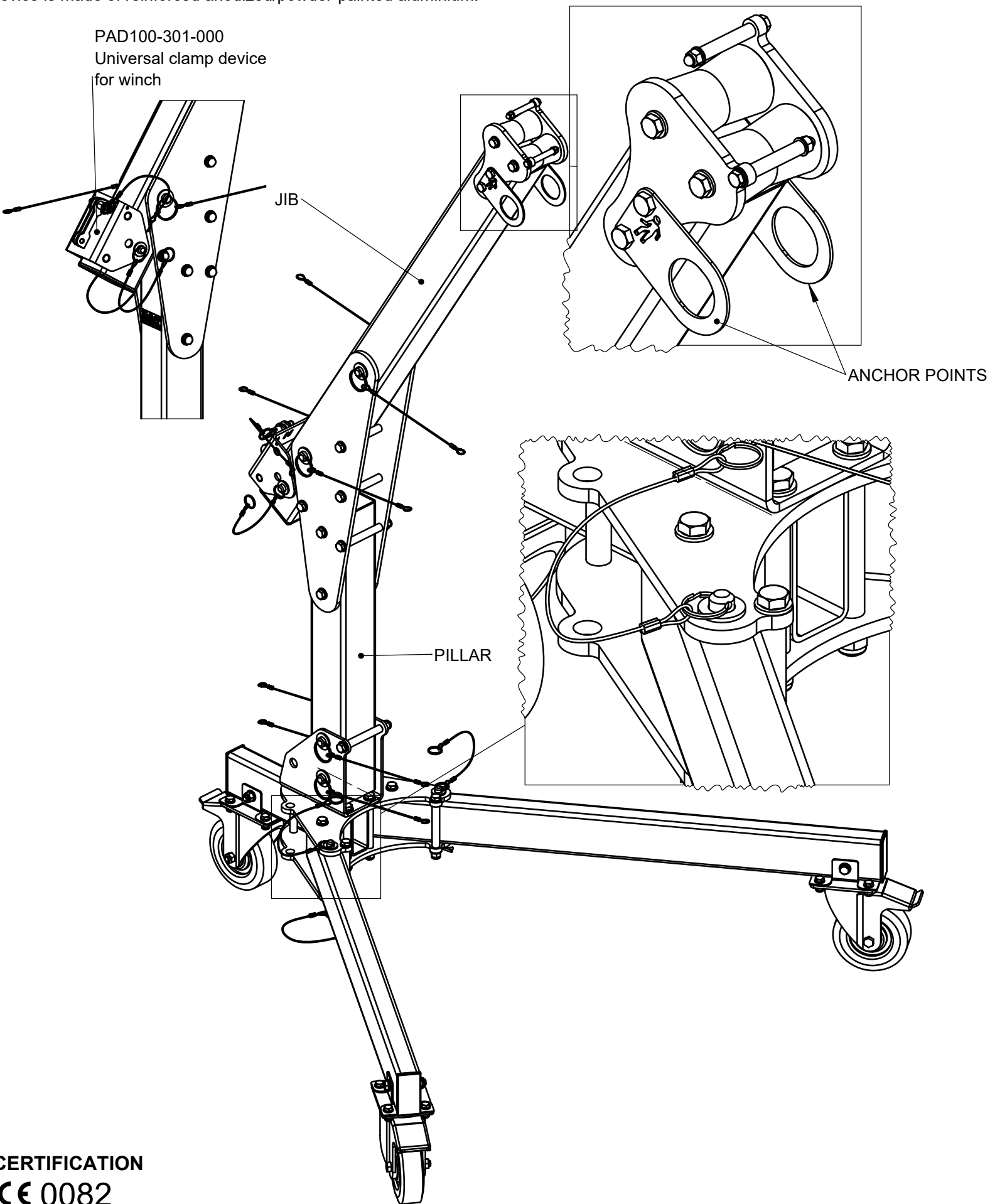


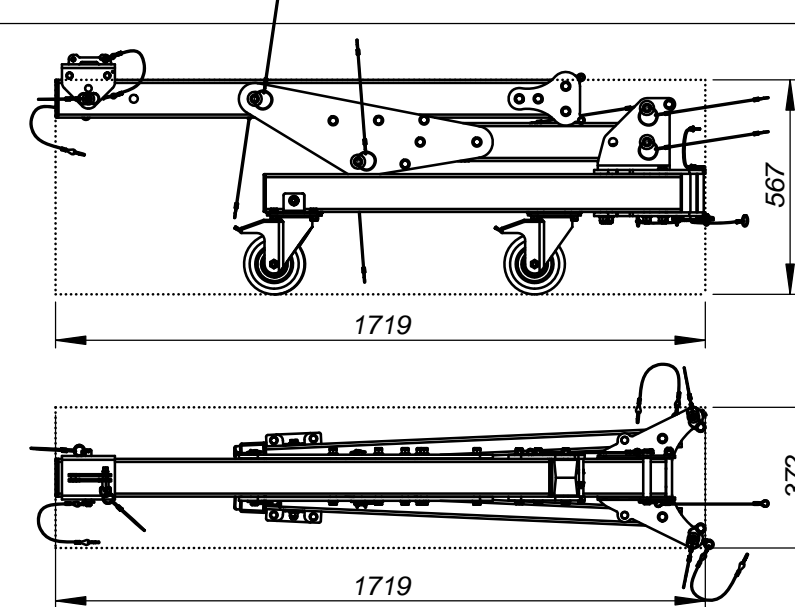
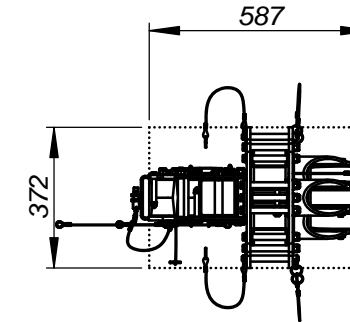
**DESCRIPTION**

LAD - Lightweight Aluminium Davit is lightweight rescue device. Can be used for personal protection up to three people at the same time or for personal rescue operations using RUP502-U / CRW200 / RUP506 rescue lifting devices (up to 140kg). PAD device is made of reinforced anodized/powder-painted aluminium.

PAD100-301-000  
Universal clamp device  
for winch

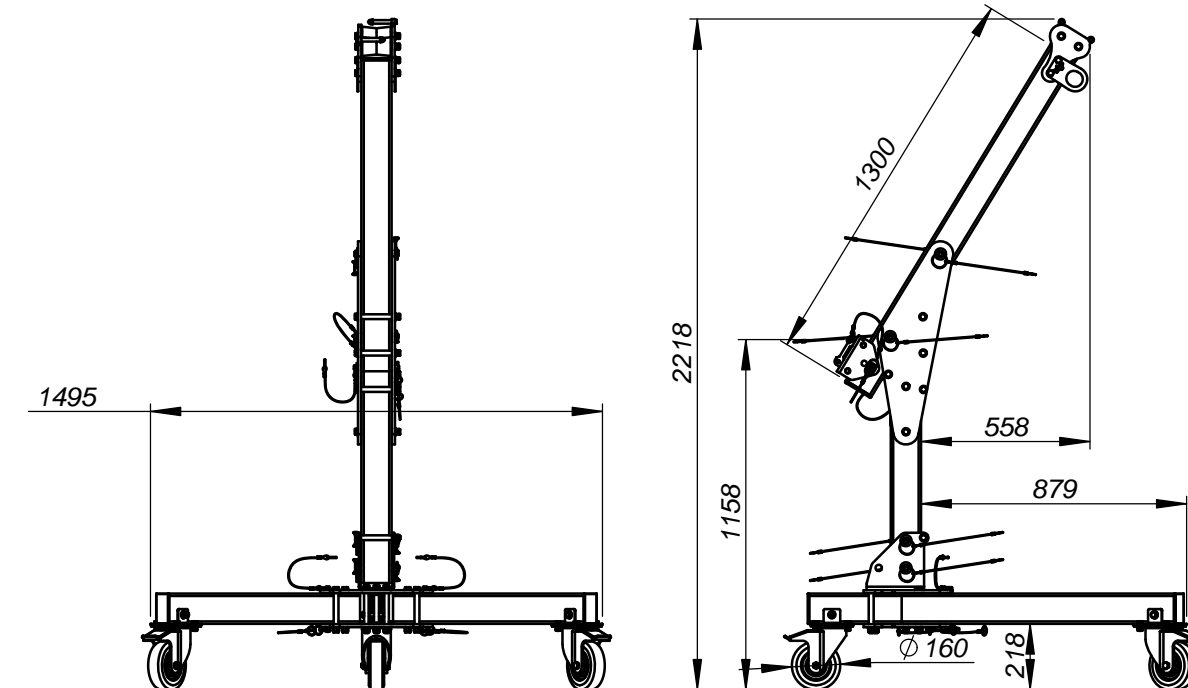


**TRANSPORTATION DIMENSIONS**



**PARAMETERS**

Working Load Limit (WLL) for personal protection	140kg
Personal protection at the same time	1 person
weight (Pillar + Jib + Connector + Jib Pulley)	35,72kg



**CERTIFICATION**

CE 0082

Conformity to the 89/686/EEC Directive